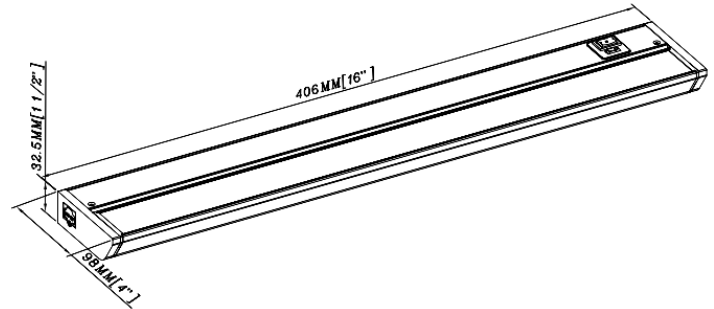




DIMENSIONS:

16"(L) x 1-1/2"(H) x 4"(D)



UCA-16-WHT
UCA-16-BRZ

120-VOLT LED UNDERCABINET

Ideal for under cabinet, display cases, or in low-profile areas. UCA offers low heat, easy installation, environmentally friendly and maintenance free for many years.

ELECTRICAL SPECIFICATIONS:

- Working Voltage: 120V (Internal Driver)
- Wattage: 6.5W
- Efficacy: 60LM/W

HOUSING SPECIFICATIONS:

- Linkable
- 1/2" KOs for hardwiring installation (multiple on top and back)
- Built-in LED driver
- 22- gauge sheet metal housing, white/bronze enamel finish, painted after fabrication
- Very low, 1" profile, only 3-1/2" wide
- Tempered glass lens for easy cleaning inside frosted to reduce LED imaging
- 120V with plug and hardwire option included
- Color packaging with hanging tab
- 3/8" flex connector and mounting screws included
- Includes 6' power cord with plug and (1) 8" interconnect cable
- Key-holed mounting slots in housing simplify installation



6' Power Cord
8' interconnect cable
End-to-End connector
Mounting screws



On/Off Switch with
100%/50% Dimming
Color Temp. Switch:
2700K/3000K/4000K



1/2" KOs
Cable Connector Included

MODEL	WATTS	VOLTAGE	LUMENS	COLOR TEMP
UCA-16-WHT	6.5W	120V	390LM	2700K/3000K/4000K
UCA-16-BRZ	6.5W	120V	390LM	2700K/3000K/4000K

LIGHTING SPECIFICATIONS:

- Lens: Tempered glass lens
- Total lumens: 390LM
- Adjustable color temperature(2700K/3000K/4000K)
- Color rendering index: 84

WARRANTY: 5 years

CERTIFICATIONS:

