

BKH SERIES

Outdoor Lighting

WESTGATE

THE FUTURE IS HERE...AND IT'S QUITE BRIGHT!

BKH-20W-MCTP-BR-P

LED SMALL NON-CUTOFF WALL PACK WITH PHOTOCELL

MCTP Multi Color Temperature & Multi Power/Wattage (Selectable)



Selection:

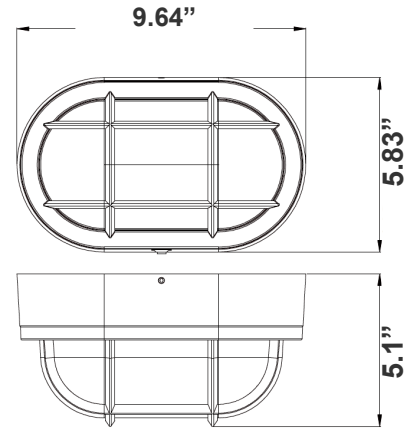


Customer Name: _____

Project Name: _____

Note: _____

Type: _____



5.83"(H) x 9.64"(W) x 5.1"(D)

LED Non-Cutoff Wall Pack with Photocell is ideal for general site lighting, loading docks, doorway, pathway and parking areas.

Features

- Back plate: Die-cast aluminum
- Multi Color Temperature & Multi Power/Wattage (Selectable)
- Waterproof-Sealed Glass Lens
- 7-Year Warranty

Technical Specifications

Electrical:

- Voltage: 120-277V AC 60Hz
- Wattage: 12W/18W/20W
- Power Factor: >0.90
- Efficacy: 85LM/W

Mechanical:

- Back plate: Die-cast aluminum
- Waterproof-Sealed Glass Lens
- Integrated DC Photocell Under The Lens with ON/OFF Switch
- Non-Cutoff Optics Ideal for Maximum Light Distribution
- Operating Temperature: -4°F to +113°F
- 7-Year Warranty
- IP65, Suitable

Lighting:

- Dimming: 0-10V Dimming
- Multi Color Temperature & Multi Power/Wattage (Selectable)
- LED Type/Brand: 2835LUMILEDS
- Front: Glass Lens
- Total Lumens: 1700LM
- Color Temperatures: 3000K/4000K/5000K
- Color Rendering Index: CRI ≥ 70
- Beam Angle: 100°
- Rated life: 70,000 Hrs

Applications:

- Entrance lighting, courtyard lighting;
- Industrial lighting, Outdoor landscape lighting;
- Building, The hotel;
- Wall lighting area and so on

Other Models:

- 20W | 1700LM | BKH-20W-MCTP-BK-P

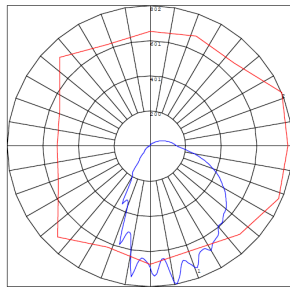
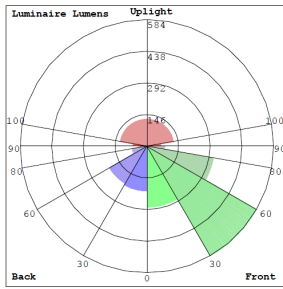


Phone: (877) 805-2252 | Fax: (877) 805-2252
www.westgatemfg.com

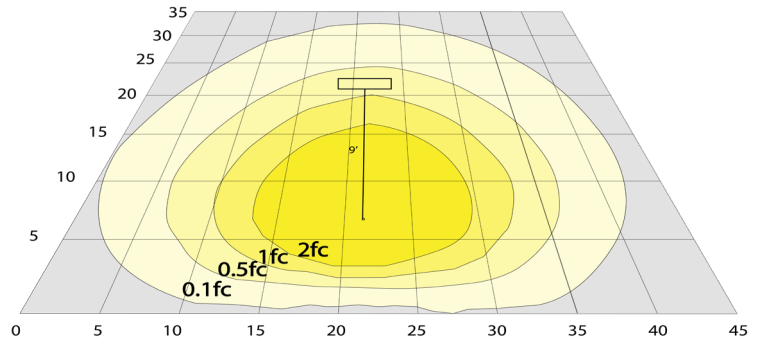


WG-ZY-29-2Z

Photometrics: BKH-20W-MCTP-BR-P



BUD Rating: B1-U3-G1



30W 5000K, Area 35'x 45' Mounting Height: 9'

Performance Table: BKH-10W-MCTP-BR-P

| MODEL NO. | Wattage | Voltage | Lumens | Color Temp. | BUG Rating | LPW |
|-------------------|---------|----------|--------|-------------|------------|-----|
| BKH-20W-MCTP-BR-P | 12W | 120-277V | 1020LM | 3000K | B1-U3-G1 | 85 |
| | 18W | | 1530LM | 4000K | | |
| | 20W | | 1700LM | 5000K | | |

Sample Ordering

| Model | Watt | Color Temp. | Housing | Sensor |
|-------|------|-------------|---------|--------|
| BKH | 20W | MCTP | BR | P |

Factory-Installed Options:

Blank = No Option For Accessories
OPT-EM-BKH = INTERNAL EMERGENCY BATTERY BACK UP

FACTORY-INSTALLED OPTIONS:



OPT-EM-BKH

