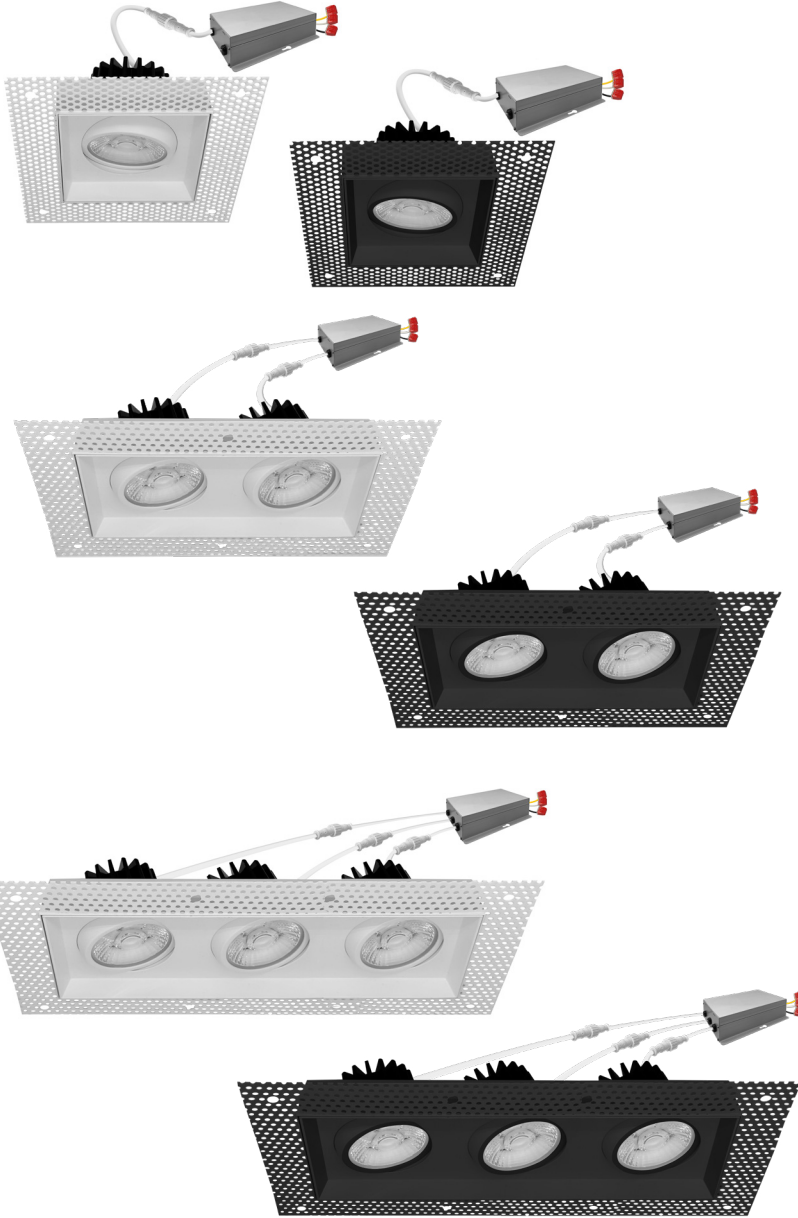


4" Trimless Multiple Head Downlights

5-CCT Selectable



Detail Specification:

- Finish: White & Black
- Wet Location Rated
- Beam Angle: 20° Standard, 38° & 60° available
- Chip: COB, R9 >50, CRI >90
- 3 Step MacAdam Ellipses
- Operating Temperature: -40° - 114° F
- Lens: Clear, non-yellowing
- Average life (L70) of 50,000 hours

Applications

- General Recessed Lighting
- Residential & Multifamily
- Office and Meeting Rooms
- Education, Healthcare, Retail, Hospitality

Product Information:

- 5-CCT: 27/30/35/40/50K COB LED Chip
- Available in single, double, or triple head
- Metal housing and trim for better heat dissipation
- 360° Rotation and 15° from center
- Standard white round trim included: optional trims available
- Optional emergency backup available: delivers full lumens in EM mode up to 25W
- SnapTrim Canless: Spring clips w/ remote j-box eliminates can

Driver Options:

- 120V Triac Dimmable (Standard)
- 0/10V: 120-277V 0-10V Dimmable Custom Order
- Built in 2.5Kv Surge Protector
- Flicker Free

Mounting & Installations:

- Cut Out Dimensions
 - Single Head: 4 1/8" x 4 1/8"
 - Double Head: 7 1/4" x 3 3/4"
 - Triple Head: 11 5/8" x 4 1/8"
- Optional new construction plate available
- This fixture does not fit into a recessed can
- Can be removed from below the ceiling for service or replacement while mud-in plate remains in the ceiling
- Pre-wired junction box with circuit wiring built in (3 in/ 3 out)

Certifications:

- ETL Listed for USA and CA
- Energy Star Certified
- CA Title 24 JA8-2022 CEC Listed
- 5 Year Limited Warranty
- FCC CFR 47, GCC Part 15, Subpart B:2017
- IC Rated and ASTM-E283 Air-Tight
- Complies with UL 263, ASTM E119, CAN ULC S101

Series	Finish	Beam Angle	Emergency	Driver
LED-SQM1-TML-4-15W-5CCT 15W • 1000Lm	WH White	20	EMB	(Blank)
LED-SQM2-TML-4-30W-5CCT 30W • 2000Lm	BLK Black	20°	Emergency	120V Triac
LED-SQM3-TML-4-45W-5CCT 45W • 3000Lm		38¹	Backup	Dim
		38°		0/10V²
		60¹		120-277V
		60°		0-10V
				Dimmable

1. 20DG Standard Quick ship. 2. Custom order only
Other beam angles require production, 5-7 day lead time.

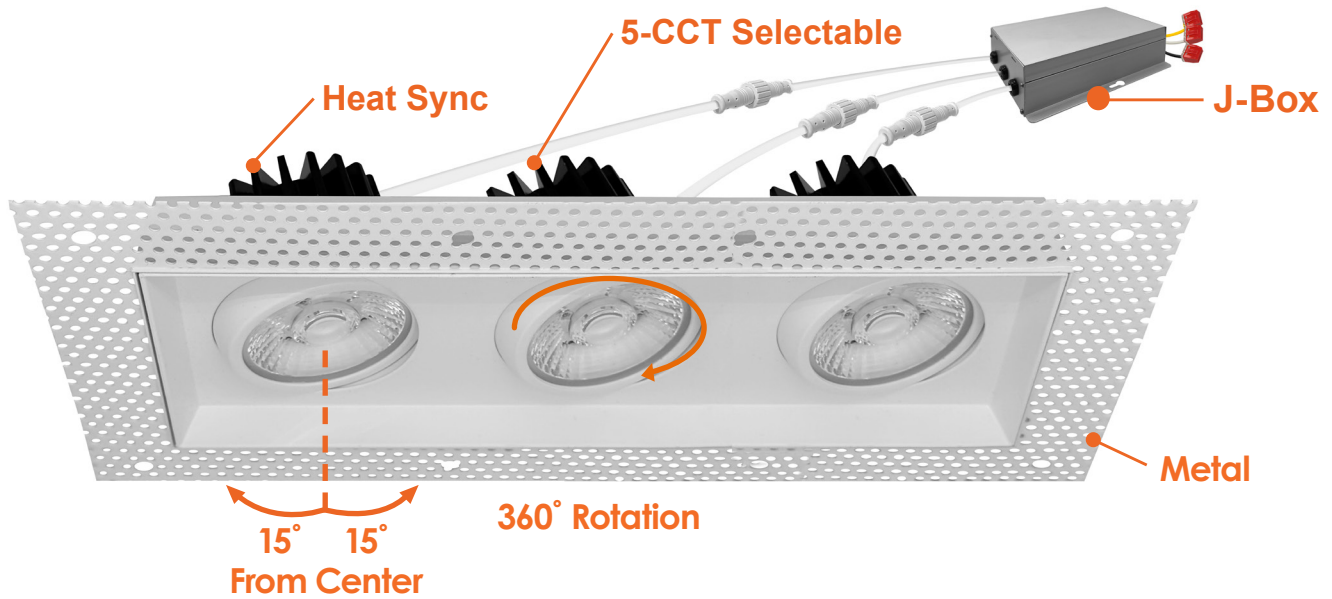
Optional Accessories (Order Separately)
Emergency Backup¹

LED-EMB-25W -HV-0/10V-2P
Connects to one module

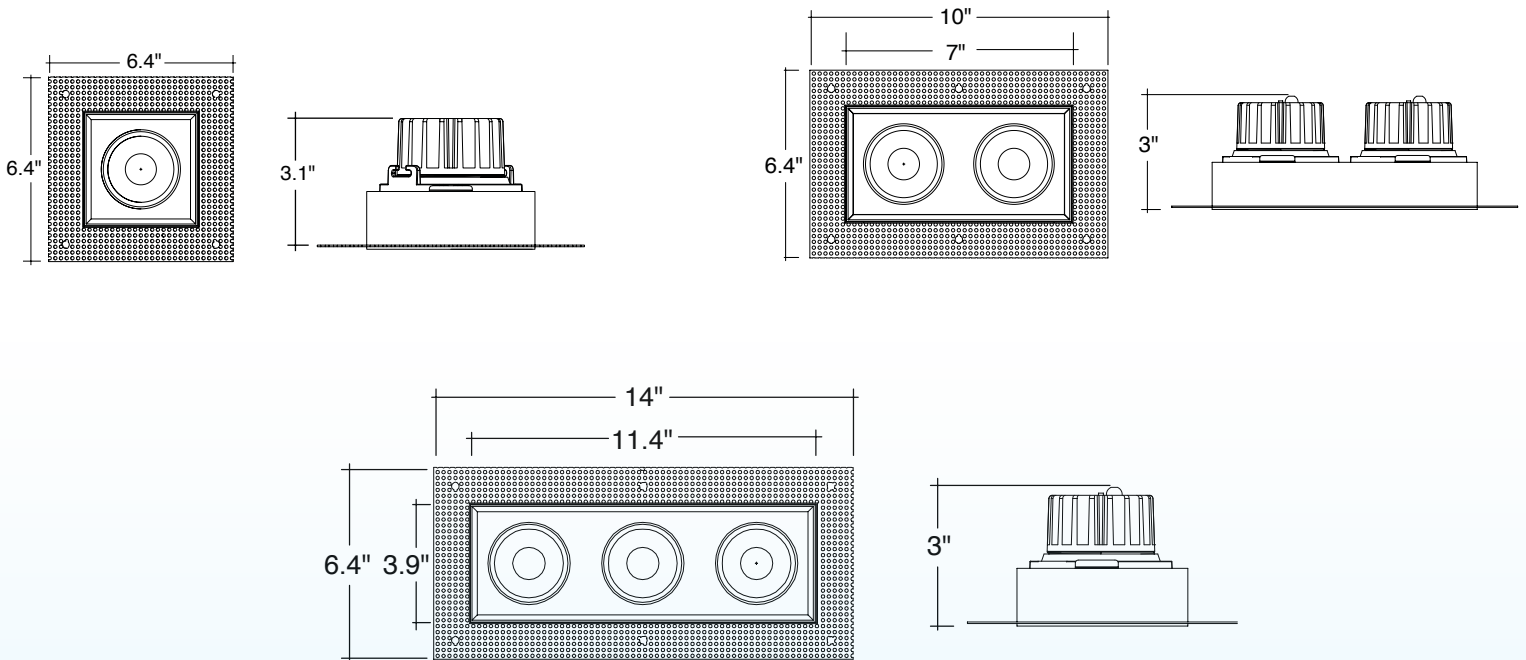
1. Field installable. Lasts 90 minutes.

Specs and model numbers are subject to change with or without notice.

FEATURES



DIMENSIONS



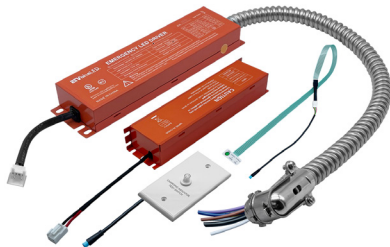
ACCESSORIES



20 / 38 / 60



JBX-EXT
6' / 10' / 12' Extension Cable



LED-EMB-25W-HV-0/10V-2P

Model	Voltage	Watts	Lumens	Color	CRI
LED-SQM1-TML-4-15W-5CCT-WH	120/277V	15w	1000	50/40/35/30/27K	>90
LED-SQM1-TML-4-15W-5CCT-BLK	120/277V	15w	1000	50/40/35/30/27K	>90
LED-SQM2-TML-4-30W-5CCT-WH	120/277V	30w	2000	50/40/35/30/27K	>90
LED-SQM2-TML-4-30W-5CCT-BLK	120/277V	30w	2000	50/40/35/30/27K	>90
LED-SQM3-TML-4-45W-5CCT-WH	120/277V	45w	3000	50/40/35/30/27K	>90
LED-SQM3-TML-4-45W-5CCT-BLK	120/277V	45w	3000	50/40/35/30/27K	>90

TRACK HEAD

Accessory	Description
20	Track Head: 20D Optic
38	Track Head: 38D Optic
60	Track Head: 60D Optic

EXTENSION CABLE

Accessory	Description
JBX-EXT-6'-2PIN	6" Extension Cable
JBX-EXT-10'-2PIN	10" Extension Cable
JBX-EXT-12'-2PIN	12" Extension Cable

BATTERY BACK-UP

Accessory	Description
LED-EMB-25W-HV-0/10V-2P	Up to 24W fixtures

TESTED COMPATIBLE DIMMERS

Other dimmers may be compatible but have not been tested. Please contact us for more information.

TRIAC/ELV Dimmers

Lutron		Leviton	Legrand	Cooper
AYCL-153P	NTELV-300P	6633	ADTP703TU	9540
DV-600PR	S-600P	6674	H703PTW	DAL06P
DVCL-153P	CT-600P	6602		
MACL-153MH	CTCL-153P	IPL06		
MRF2-6CL	TG-600P			
D-600P	TCCL-153P			