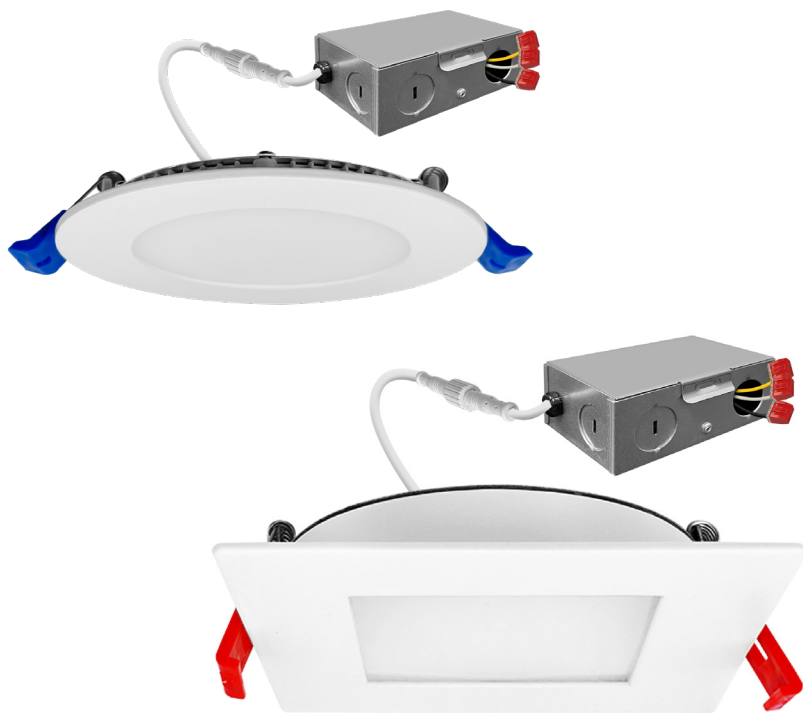


Slim-Line: LED Slim Panel Downlights

5-CCT Selectable

Canless Downlights



Detail Specifications:

- Finish: White, Black, Bronze, Brushed Nickel, Custom
- Wet Location Rated
- Beam Angle: 110°
- Chip: SMD 2835, R9 >50, CRI >90
- 3 Step MacAdam Ellipses
- Operating Temperature: -40° - 114° F
- Lens: Frosted acrylic, non-yellowing
- Average life (L70) of 50,000 hours

Applications:

- General Recessed Lighting
- Residential & Multifamily
- Office and Meeting Rooms
- Education, Healthcare, Retail, Hospitality

Product Information:

- 5-CCT Selectable: 27/30/35/40/50K
- Edge-lit technology: reduces glare with even light distribution
- Perfect for shallow ceilings. Only 1.5" space required.
- Metal housing and trim for better heat dissipation
- Standard white round trim included: optional trims available
- Optional emergency backup available: delivers full lumens in EM mode up to 25W
- SnapTrim Canless: Spring clips with remote j-box eliminates can

Driver Options:

- 120V Triac Dimmable
- 120-277V 0-10V Dimmable Available (separate spec sheet)
- Built in 2.5Kv Surge Protector
- Flicker Free

Mounting & Installation:

- Cut Out Dimensions
 - 3": 3-1/4"
 - 4": 4-1/4"
 - 6": 6-1/4"
 - 8": 8-1/4"
- Optional new construction plate available
- This fixture does not fit into a recessed can
- No can needed in remodel applications, tension clips mount into 1/2" to 1.5" thick ceiling
- Can be removed from below the ceiling for service or replacement
- Pre-wired junction box with circuit wiring built in (3 in/ 3 out)

Certifications:

- ETL Listed for USA and CA
- Energy Star Certified
- CA Title 24 JA8-2022 CEC Listed
- 5 Year Limited Warranty
- FCC CFR 47, GCC Part 15, Subpart B:2017
- IC Rated and ASTM-E283 Air-Tight
- Complies with UL 263, ASTM E119, CAN ULC S101

Series	Emergency
LED-SL-PNL-3R-8W-5CCT-WH	Blank
3" Round • 8W • 500lm	None
LED-SL-PNL-3SQ-8W-5CCT-WH	EMB
3" Square • 8W • 500lm	Emergency
LED-SL-PNL-4R-3P12W-5CCT-WH	Backup
4" Round • 8/10/12w • 500/700/840lm	
LED-SL-PNL-4SQ-3P12W-5CCT-WH	
4" Square • 8/10/12w • 500/700/840lm	
LED-SL-PNL-6R-3P15W-5CCT-WH	
6" Round • 9/12/15w • 750/950/1,150lm	
LED-SL-PNL-6SQ-3P15W-5CCT-WH	
6" Square • 9/12/15w • 750/950/1,150lm	
LED-SL-PNL-8R-3P22W-5CCT-WH	
8" Round • 16/19/22w • 1,200/1,400/1,600lm	
LED-SL-PNL-8SQ-3P22W-5CCT-WH	
8" Square • 16/19/22w • 1,200/1,400/1,600lm	

Optional Accessories (Order Separately)

Round Trim Options	Square Trim Options	New Construction Plates	Extension Cables	Emergency Backup (field install) 1	Goof Ring
SLPNL-TRIM-3R-BLK Black	SLPNL-TRIM-4SQ-BLK Black	CUNV-NC-ICAT-7H Universal Plate with hanging bars	JBX-EXT-6'-2PIN 6' Extension	LED-EMB-15W-HV -0/10V-2P Up to 14W fixtures	GR-4-WH 4"-8" Width
SLPNL-TRIM-3R-BRZ Bronze	SLPNL-TRIM-4SQ-BRZ Bronze	C4-JBX-RI 4" Rough in plate	JBX-EXT-10'-2PIN 10' Extension	LED-EMB-25W-HV -0/10V-2P Up to 24W fixtures	GR-6-WH 6.3"-10" Width
SLPNL-TRIM-3R-BNI Brushed Nickel	SLPNL-TRIM-4SQ-BNI Brushed Nickel	C6-JBX-RI 6" Rough in plate	JBX-EXT-12'-2PIN 12' Extension		GR-8-WH 8"-12.5" Width
SLPNL-TRIM-4R-BLK Black	SLPNL-TRIM-6SQ-BLK Black	C8-JBX-RI 8" Rough in plate			
SLPNL-TRIM-4R-BRZ Bronze	SLPNL-TRIM-6SQ-BRZ Bronze	CUNV-JBX-RI-XL Universal Rough In Plate Extra long			
SLPNL-TRIM-4R-BNI Brushed Nickel	SLPNL-TRIM-6SQ-BNI Brushed Nickel				

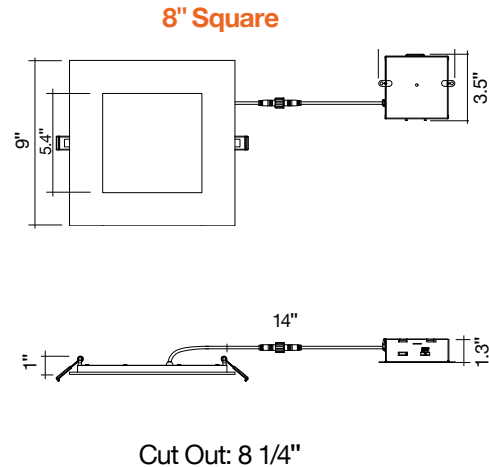
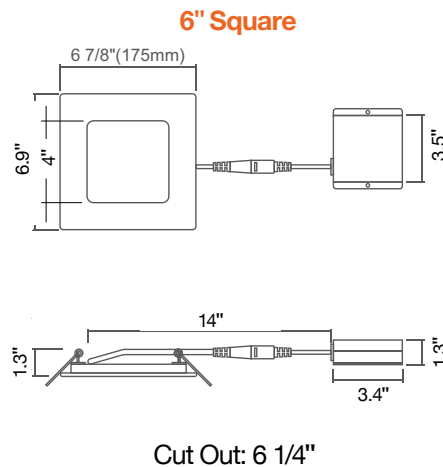
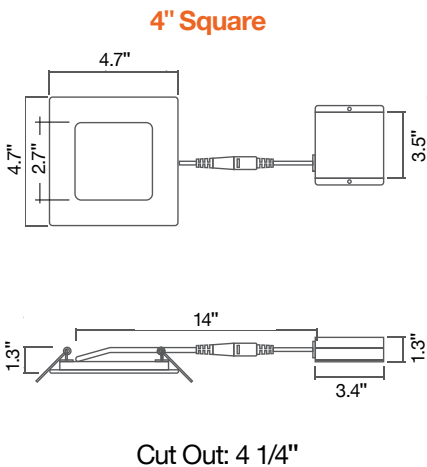
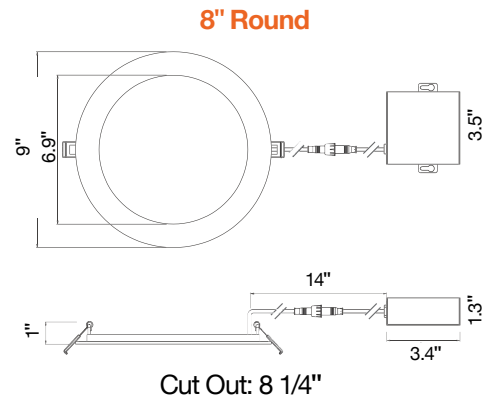
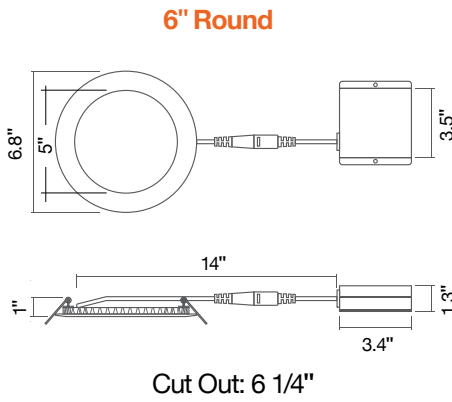
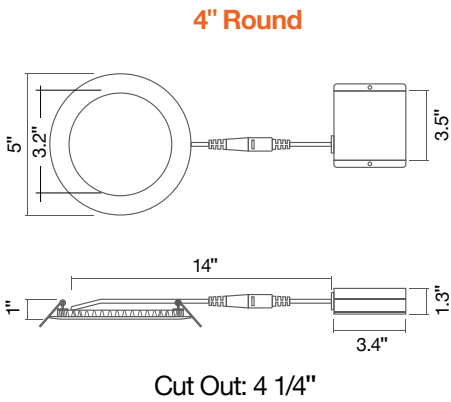
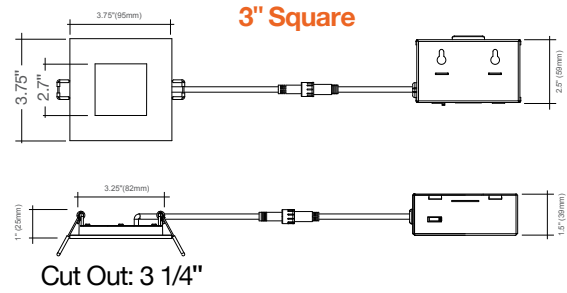
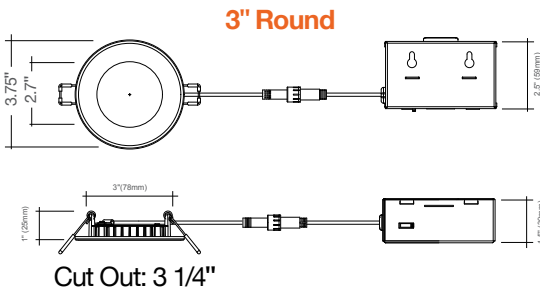
1. Field installable. Lasts 90 minutes.

Specs and model numbers are subject to change with or without notice

FEATURES



DIMENSIONS



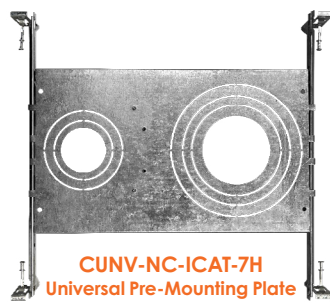
ACCESSORIES



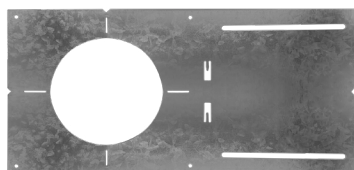
BLK BZ BN



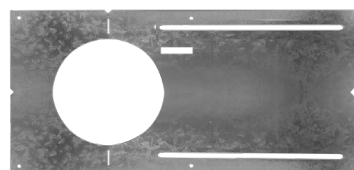
BLK BZ BN



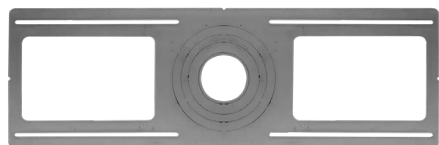
CUNV-NC-ICAT-7H
Universal Pre-Mounting Plate
13 7/8" x 15 1/8"



C4-JBX-RI
4" Rough In Plate
6 1/2" x 13 1/4"



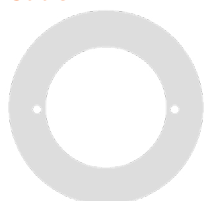
C6-JBX-RI
6" Rough In Plate
8 1/2" x 17 1/4"



CUNV-JBX-RI-XL
7" x 26"



JBX-EXT
6' / 10' / 12' Extension Cable



GR-4-WH
GR-6-WH
GR-8-WH

LED-EMB-15W-HV-0/10V-2P
LED-EMB-25W-HV-0/10V-2P

DOWNLIGHT FIXTURES

Model	Voltage	Watts	Lumens	Color	CRI
LED-SL-PNL-3R-8W-5CCT-WH	120V	8w	500	27/30/35/40/50K	>90
LED-SL-PNL-3SQ-8W-5CCT-WH	120V	8w	500	27/30/35/40/50K	>90
LED-SL-PNL-4R-3P12W-5CCT-WH	120V	8/10/12w	500/700/840	27/30/35/40/50K	>90
LED-SL-PNL-4SQ-3P12W-5CCT-WH	120V	8/10/12w	500/700/840	27/30/35/40/50K	>90
LED-SL-PNL-6R-3P15W-5CCT-WH	120V	9/12/15w	750/950/1150	27/30/35/40/50K	>90
LED-SL-PNL-6SQ-3P15W-5CCT-WH	120V	9/12/15w	750/950/1150	27/30/35/40/50K	>90
LED-SL-PNL-8R-3P22W-5CCT-WH	120V	16/19/22w	1200/1400/1600	27/30/35/40/50K	>90
LED-SL-PNL-8SQ-3P22W-5CCT-WH	120V	16/19/22w	1200/1400/1600	27/30/35/40/50K	>90

TRIMS

Accessory	Description
SLPNL-TRIM-3R-BLK	3" Round Black Trim
SLPNL-TRIM-3R-BRZ	3" Round Bronze Trim
SLPNL-TRIM-3R-BNI	3" Round Brushed Nickel Trim
SLPNL-TRIM-4R-BLK	4" Round Black Trim
SLPNL-TRIM-4R-BRZ	4" Round Bronze Trim
SLPNL-TRIM-4R-BNI	4" Round Brushed Nickel Trim
SLPNL-TRIM-4SQ-BLK	4" Square Black Trim
SLPNL-TRIM-4SQ-BRZ	4" Square Bronze Trim
SLPNL-TRIM-4SQ-BNI	4" Square Brushed Nickel Trim
SLPNL-TRIM-6R-BLK	6" Round Black Trim
SLPNL-TRIM-6R-BRZ	6" Round Bronze Trim
SLPNL-TRIM-6R-BNI	6" Round Brushed Nickel Trim
SLPNL-TRIM-6SQ-BLK	6" Square Black Trim
SLPNL-TRIM-6SQ-BRZ	6" Square Bronze Trim
SLPNL-TRIM-6SQ-BNI	6" Square Brushed Nickel Trim

CONSTRUCTION PLATES

Accessory Model	Description
C4-JBX-RI	4" Rough-In Plate (6 1/2" x 13 1/4")
C6-JBX-RI	6" Rough-In Plate (8 1/2" x 17 1/4")
C8-JBX-RI-XL	8" Rough-In Plate (10 1/2" x 26")
CUNV-NC-ICAT-7H	2/3/4/6" Pre-Mounting Plate

EXTENSION CABLE

Accessory	Description
JBX-EXT-6'-2PIN	6" Extension Cable
JBX-EXT-10'-2PIN	10" Extension Cable
JBX-EXT-12'-2PIN	12" Extension Cable

BATTERY BACK-UP

Accessory	Description
LED-EMB-15W-HV-0/10V-2P	Up to 14W fixtures
LED-EMB-25W-HV-0/10V-2P	Up to 24W fixtures

GOOF RING

Accessory Model	Description
GR-4-WH	4" Goof Ring, Inner Dim: 4" Outer Dim: 8"
GR-6-WH	6" Goof Ring, Inner Dim: 6.3" Outer Dim: 10.5"
GR-8-WH	8" Goof Ring, Inner Dim: 8" Outer Dim: 12.5"

TESTED COMPATIBLE DIMMERS

Other dimmers may be compatible but have not been tested. Please contact us for more information. **TRIAC/ELV Dimmers**

Lutron	Lutron	Leviton	Legrand	Cooper
AYCL-153P	NTELV-300P	6633	ADTP703TU	9540
DV-600PR	S-600P	6674	H703PTW	DAL06P
DVCL-153P	CT-600P	6602		
MACL-153MH	CTCL-153P	IPL06		
MRF2-6CL	TG-600P			
D-600P	TCCL-153P			