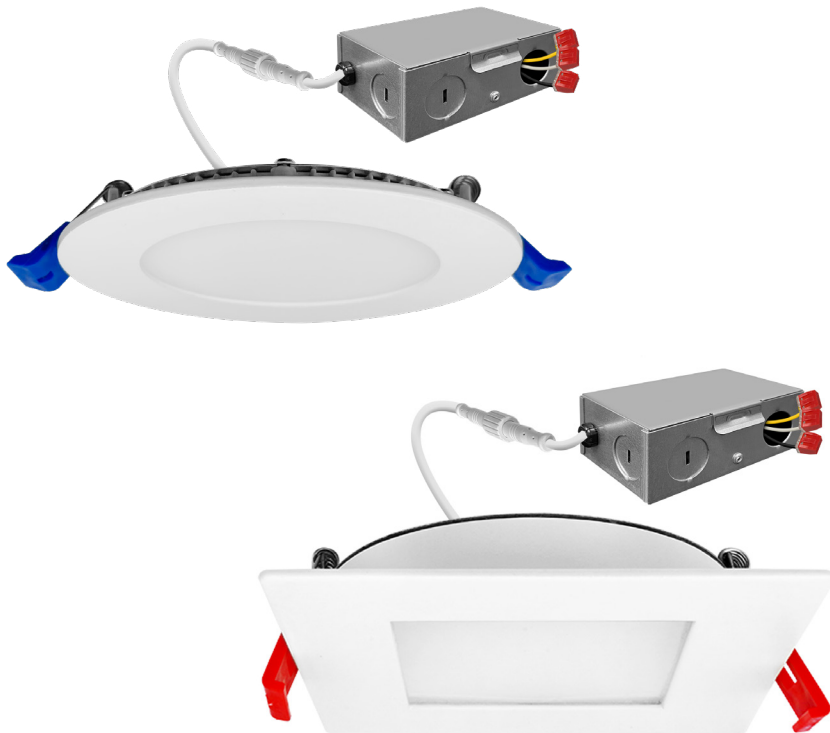


Slim-Line: LED Slim Panel Downlights

120-277V 0-10V Dimmable

Canless Downlights



Detail Specifications:

- Finish: White, Black, Bronze, Brushed Nickel, Custom
- Wet Location Rated
- Beam Angle: 110°
- Chip: SMD 2835, R9 >50, CRI >90
- 3 Step MacAdam Ellipses
- Operating Temperature: -40° - 114° F
- Lens: Frosted, non-yellowing
- Average life (L70) of 50,000 hours

Applications:

- General Recessed Lighting
- Residential & Multifamily
- Office and Meeting Rooms
- Education, Healthcare, Retail, Hospitality

Product Information:

- TRI: 30/40/50K
- 5-CCT Selectable: 27/30/35/40/50K
- Edge-lit technology: reduces glare with even light distribution
- Perfect for shallow ceilings. Only 1.5" space required.
- Metal housing and trim for better heat dissipation
- Standard white round trim included: optional trims available
- Optional emergency backup available: delivers full lumens in EM mode up to 25W
- SnapTrim Canless: Spring clips with remote j-box eliminates can

Driver Options:

- 120-277V 0-10V Dimmable
- 120V Triac Dimmable Available (separate spec sheet)
- Built in 2.5Kv Surge Protector
- Flicker Free

Mounting & Installation:

- Cut Out Dimensions
 - 4": 4-1/4"
 - 6": 6-1/4"
 - 8": 8-1/4"
 - 10": 11"
- Optional new construction plate available
- This fixture does not fit into a recessed can
- No can needed in remodel applications, tension clips mount into 1/2" to 1.5" thick ceiling
- Can be removed from below the ceiling for service or replacement
- Pre-wired junction box with circuit wiring built in (3 in/ 3 out)

Certifications:

- ETL Listed for USA and CA
- Energy Star Certified
- CA Title 24 JA8-2022 CEC Listed
- 5 Year Limited Warranty
- FCC CFR 47, GCC Part 15, Subpart B:2017
- IC Rated and ASTM-E283 Air-Tight
- Complies with UL 263, ASTM E119, CAN ULC S101

TRI	30/40/50K
5-CCT	27/30/35/40/50K

Series	Emergency
LED-SL-PNL-4R-11W-TRI-0/10V 4" Round • 11W • 750Lm	Blank
LED-SL-PNL-4SQ-11W-5CCT-0/10V 4" Square • 11W • 750Lm	None
LED-SL-PNL-6R-14W-5CCT-0/10V 6" Round • 14w • 1000Lm	EMB
LED-SL-PNL-6SQ-14W-TRI-0/10V 6" Square • 14w • 1000Lm	Emergency
LED-SL-PNL-8R-22W-5CCT-0-10V 8" Round • 22w • 1600Lm	Backup
LED-SL-PNL-10R-22W-5CCT-0/10V 10" Round • 22w • 1600Lm	

Optional Accessories (Order Separately)					
Round Trim Options	Square Trim Options	New Construction Plates	Extension Cables	Emergency Backup (field install) 1	Goof Ring
SLPNL-TRIM-4R-BLK Black	SLPNL-TRIM-4SQ-BLK Black	CUNV-NC-ICAT-7H Universal Plate with hanging bars	JBX-EXT-6'-2PIN 6' Extension	LED-EMB-15W-HV -0/10V-2P Up to 14W fixtures	GR-4-WH 4"-8" Width
SLPNL-TRIM-4R-BRZ Bronze	SLPNL-TRIM-4SQ-BRZ Bronze	C4-JBX-RI 4" Rough in plate	JBX-EXT-10'-2PIN 10' Extension	LED-EMB-25W-HV -0/10V-2P Up to 24W fixtures	GR-6-WH 6.3"-10" Width
SLPNL-TRIM-4R-BNI Brushed Nickel	SLPNL-TRIM-4SQ-BNI Brushed Nickel	C6-JBX-RI 6" Rough in plate	JBX-EXT-12'-2PIN 12' Extension		GR-8-WH 8"-12.5" Width
SLPNL-TRIM-6R-BLK Black	SLPNL-TRIM-6SQ-BLK Black	C8-JBX-RI 8" Rough in plate			
SLPNL-TRIM-6R-BRZ Bronze	SLPNL-TRIM-6SQ-BRZ Bronze	CUNV-JBX-RI-XL Universal Rough In Plate Extra long			
SLPNL-TRIM-6R-BNI Brushed Nickel	SLPNL-TRIM-6SQ-BNI Brushed Nickel				

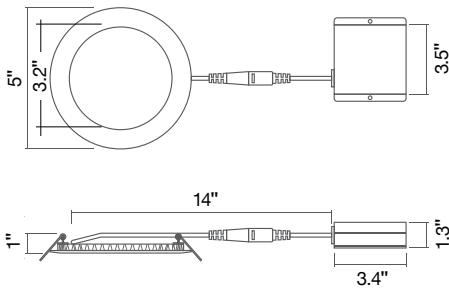
Specs and model numbers are subject to change with or without notice

FEATURES



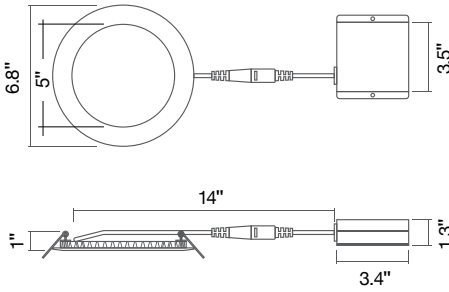
DIMENSIONS

4" Round



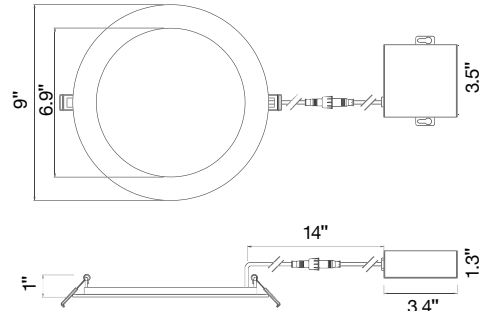
Cut Out: 4 1/4"

6" Round



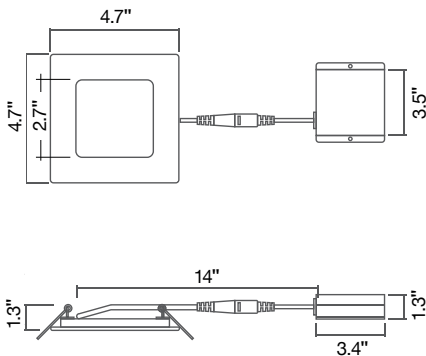
Cut Out: 6 1/4"

8" Round



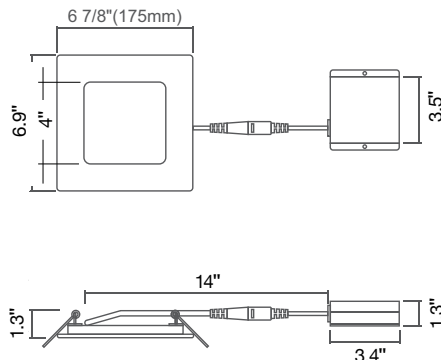
Cut Out: 8 1/4"

4" Square



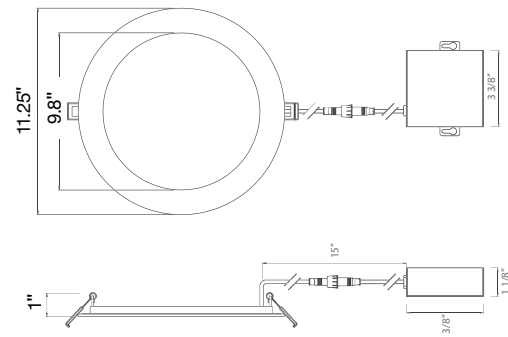
Cut Out: 4 1/4"

6" Square



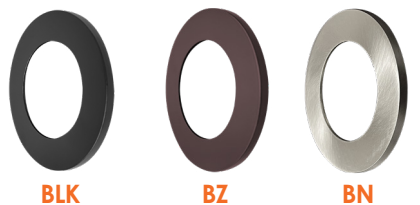
Cut Out: 6 1/4"

10" Round



Cut Out: 11"

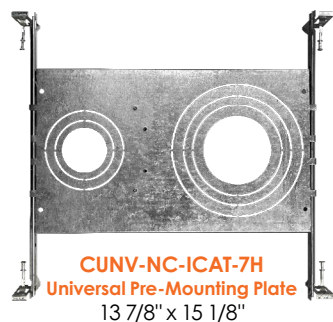
ACCESSORIES



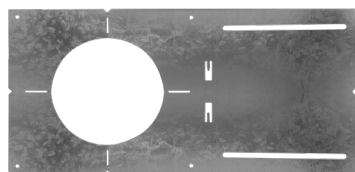
BLK BZ BN



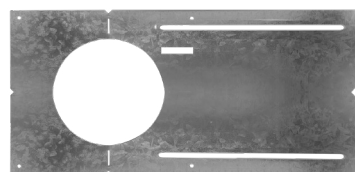
BLK BZ BN



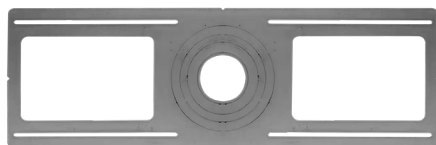
CUNV-NC-ICAT-7H
Universal Pre-Mounting Plate
13 7/8" x 15 1/8"



C4-JBX-RI
4" Rough In Plate
6 1/2" x 13 1/4"



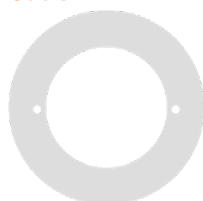
C6-JBX-RI
6" Rough In Plate
8 1/2" x 17 1/4"



CUNV-JBX-RI-XL
7" x 26"



JBX-EXT
6' / 10' / 12' Extension Cable



GR-4-WH
GR-6-WH
GR-8-WH

LED-EMB-15W-HV-0/10V-2P
LED-EMB-25W-HV-0/10V-2P

DOWNLIGHT FIXTURES

Model	Voltage	Watts	Lumens	Color	CRI
LED-SL-PNL-4R-11W-TRI-0/10V	120/277V	11w	750	30/40/50k	>90
LED-SL-PNL-4SQ-11W-5CCT-0/10V	120/277V	11w	750	27/30/35/40/50K	>90
LED-SL-PNL-6R-14W-5CCT-0/10V	120/277V	14w	1000	27/30/35/40/50K	>90
LED-SL-PNL-6SQ-14W-TRI-0/10V	120/277V	14w	1000	30/40/50k	>90
LED-SL-PNL-8R-22W-5CCT-0/10V	120/277V	22w	1,600	27/30/35/40/50K	>90
LED-SL-PNL-10R-22W-5CCT-0/10v	120/277V	22w	1600	27/30/35/40/50K	>90

TRIMS

Accessory	Description
SLPNL-TRIM-4R-BLK	4" Round Black Trim
SLPNL-TRIM-4R-BRZ	4" Round Bronze Trim
SLPNL-TRIM-4R-BNI	4" Round Brushed Nickel Trim
SLPNL-TRIM-4SQ-BLK	4" Square Black Trim
SLPNL-TRIM-4SQ-BRZ	4" Square Bronze Trim
SLPNL-TRIM-4SQ-BNI	4" Square Brushed Nickel Trim
SLPNL-TRIM-6R-BLK	6" Round Black Trim
SLPNL-TRIM-6R-BRZ	6" Round Bronze Trim
SLPNL-TRIM-6R-BNI	6" Round Brushed Nickel Trim
SLPNL-TRIM-6SQ-BLK	6" Square Black Trim
SLPNL-TRIM-6SQ-BRZ	6" Square Bronze Trim
SLPNL-TRIM-6SQ-BNI	6" Square Brushed Nickel Trim

CONSTRUCTION PLATES

Accessory Model	Description
C4-JBX-RI	4" Rough-In Plate (6 1/2" x 13 1/4")
C6-JBX-RI	6" Rough-In Plate (8 1/2" x 17 1/4")
C8-JBX-RI	8" Rough-In Plate (10 1/2" x 26")
CUNV-NC-ICAT	2/3/4/6" Pre-Mounting Plate

EXTENSION CABLE

Accessory	Description
JBX-EXT-6'-2PIN	6" Extension Cable
JBX-EXT-10'-2PIN	10" Extension Cable
JBX-EXT-12'-2PIN	12" Extension Cable

BATTERY BACK-UP

Accessory	Description
LED-EMB-15W-HV-0/10V-2P	Up to 14W fixtures
LED-EMB-25W-HV-0/10V-2P	Up to 24W fixtures

GOOF RING

Accessory Model	Description
GR-4-WH	4" Goof Ring, Inner Dim: 4" Outer Dim: 8"
GR-6-WH	6" Goof Ring, Inner Dim: 6.3" Outer Dim: 10.5"
GR-8-WH	8" Goof Ring, Inner Dim: 8" Outer Dim: 12.5"

TESTED COMPATIBLE DIMMERS

Other dimmers may be compatible but have not been tested. Please contact us for more information.

0-10V Dimmers

Lutron	Leviton	Wattstopper	Lightolier
DVTV	Illumitech - IP7	DCLV1	ZP600FAM120
NFTV			SR1200ZTUNV
NTFTV			