

PROJECT: \_\_\_\_\_

DATE: \_\_\_\_\_

TYPE: \_\_\_\_\_

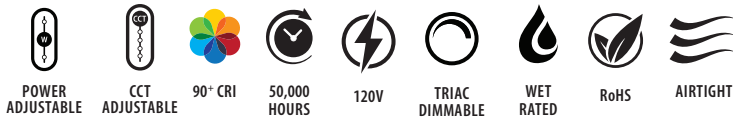
PREPARED BY: \_\_\_\_\_



### KEY FEATURES

- Edge-lit wafer look that retrofits in existing downlight housings
- Field adjustable: 3 brightness levels & 5 CCTs
- Smooth or step baffle lens
- Mounts inside standard 4" or 5/6" recessed downlight housings
- 5-Year, no-compromise warranty

## Wafer retrofit used with existing housings



## PERFORMANCE

Catalog Number	Size	Trim Style	Wattage Equivalency	Input Wattage	Lumens	Efficacy	Color Temperature	CRI	L70 Lifespan	Base Type	Environment	Energy Star ID
WFRETRO4	4"	Smooth	60W Incandescent	10/8/6W	835/685/525 lm	84/86/88 lm/W	FA via dip switch 2700K/3000K/ 3500K/4000K/ 5000K	90	50,000 hrs	E26 Edison Socket Adapter Included in box	Wet	3398292
WFRETRO4B	4"	Baffle		10/8/6W	835/685/525 lm	84/86/88 lm/W						3398292
WFRETRO6	6"	Smooth	100W Incandescent	15/13/11W	1,300/1,150/950 lm	87/88/86 lm/W						3398293
WFRETRO6B	6"	Baffle		15/13/11W	1,300/1,150/950 lm	87/88/86 lm/W						3398293

## PERFORMANCE (CONT.)

### 4" Smooth

Catalog Number	Wattage	CCT	Lumens			Efficacy			Equivalency
			6W	8W	10W	6W	8W	10W	
WFRETRO4	6/8/10W		6W	8W	10W	6W	8W	10W	60W Incandescent
		2700K	564 lm	713 lm	865 lm	95 lm/W	91 lm/W	87 lm/W	
		3000K	576 lm	733 lm	897 lm	98 lm/W	94 lm/W	90 lm/W	
		3500K	584 lm	747 lm	926 lm	100 lm/W	97 lm/W	94 lm/W	
		4000K	583 lm	744 lm	919 lm	99 lm/W	96 lm/W	93 lm/W	
	5000K	566 lm	714 lm	862 lm	95 lm/W	91 lm/W	86 lm/W		

### 4" Baffle

Catalog Number	Wattage	CCT	Lumens			Efficacy			Equivalency
			6W	8W	10W	6W	8W	10W	
WFRETRO4B	6/8/10W		6W	8W	10W	6W	8W	10W	60W Incandescent
		2700K	561 lm	705 lm	857 lm	94 lm/W	88 lm/W	86 lm/W	
		3000K	573 lm	728 lm	890 lm	97 lm/W	92 lm/W	89 lm/W	
		3500K	582 lm	742 lm	920 lm	99 lm/W	95 lm/W	93 lm/W	
		4000K	581 lm	741 lm	915 lm	99 lm/W	94 lm/W	93 lm/W	
	5000K	566 lm	711 lm	858 lm	95 lm/W	89 lm/W	86 lm/W		

### 6" Smooth

Catalog Number	Wattage	CCT	Lumens			Efficacy			Equivalency
			6W	8W	10W	6W	8W	10W	
WFRETRO6	11/13/15W		6W	8W	10W	6W	8W	10W	100W Incandescent
		2700K	1,034 lm	1,206 lm	1,340 lm	99 lm/W	96 lm/W	93 lm/W	
		3000K	1,061 lm	1,245 lm	1,385 lm	103 lm/W	100 lm/W	97 lm/W	
		3500K	1,084 lm	1,280 lm	1,430 lm	106 lm/W	104 lm/W	101 lm/W	
		4000K	1,082 lm	1,276 lm	1,424 lm	106 lm/W	104 lm/W	101 lm/W	
	5000K	1,053 lm	1,230 lm	1,363 lm	102 lm/W	98 lm/W	95 lm/W		

### 6" Baffle

Catalog Number	Wattage	CCT	Lumens			Efficacy			Equivalency
			6W	8W	10W	6W	8W	10W	
WFRETRO6B	11/13/15W		6W	8W	10W	6W	8W	10W	100W Incandescent
		2700K	1,021 lm	1,195 lm	1,330 lm	98 lm/W	96 lm/W	92 lm/W	
		3000K	1,048 lm	1,232 lm	1,376 lm	102 lm/W	99 lm/W	96 lm/W	
		3500K	1,073 lm	1,266 lm	1,421 lm	105 lm/W	103 lm/W	101 lm/W	
		4000K	1,072 lm	1,264 lm	1,418 lm	105 lm/W	103 lm/W	101 lm/W	
	5000K	1,043 lm	1,220 lm	1,357 lm	101 lm/W	98 lm/W	95 lm/W		

## TECHNICAL SPECIFICATIONS

### CONSTRUCTION

**Product Type**

Wafer Retrofit

**Size**

4", 6"

**Shape**

Round

**Trim Style**

Smooth, Baffle

**Enclosure Material**

Plastic+Metal

**Finish**

White

**Lens Finish**

Polycarbonate light diffuser distributes light evenly and smoothly for general lighting applications

### INSTALLATION

**Mounting**

Recessed mounting using existing downlight housings

**Base Type**

E26 Edison Socket Adapter Included in box

### ELECTRICAL

**Dimmable**

Yes, dimmable down to 10% on compatible TRIAC/ELV dimming systems. See Dimmer Compatibility List.

**Driver**

Constant Current, Class 2, 60 Hz

**Input Voltage**

120V

**Operating Frequency**

60 Hz

**Operating Temperature**

-13°F to 104°F (-25°C to 40°C)

**THD**

20%

**Power Factor**

0.9

**Flicker**

30%

### LED CHARACTERISTICS

**Beam Angle**

110°±10°

**Color Temperature**

Field adjustable via dip switch  
2700K/3000K/3500K/4000K/5000K

**Color Accuracy (CRI)**

>90

**R9 Value**

High color performance with R9 greater than 50

**Color Consistency**

<4-step MacAdam Ellipse binning to achieve consistent fixture-to-fixture color

**Color Stability**

LED color temperature is warranted to shift no more than 200K in color temperature over a 5-year period

**Color Uniformity**

RAB's range of Correlated Color Temperature follows the guidelines of the American National Standard for Specifications for the Chromaticity of Solid State Lighting (SSL) Products, ANSI C78.377-2017.

### COMPLIANCE

**Listings**

UL Listed

**Environment**

Suitable for use indoors and outdoors in dry, damp, or wet environments.

**IC Rated**

No

**Air Tight**

Housing certified Air Tight as per ASTM E283

**Energy Star Approved**

This product is ENERGY STAR® Version 2.2 Certified.

**DLC Listed**

No

**California Title 20 Compliant**

No

## TECHNICAL SPECIFICATIONS (CONT.)

### COMPLIANCE (CONT.)

#### California Title 24 JA8 Compliant

Can be used to conform with the requirements of California Title 24 Part 6.

#### California Energy Commission (CEC) Status

Lawful for Sales in California

#### NEC Compliant

Suitable for use in closets. Compliant with NEC Sec. 410.16 (A)(1) and 410.16 (C3).

#### IESNA LM-79 & LM80 Testing

RAB LED luminaires and LED components have been tested by an independent laboratory in accordance with IESNA LM-79 and LM-80.

#### RoHS

Mercury and UV free. RoHS-compliant components.

#### FCC

Complies with Part 15 of the FCC Rules

### OTHER

#### Warranty

RAB warrants that our LED products will be free from defects in materials and workmanship for a period of five (5) years from the date of delivery to the end user, including coverage of light output, color stability, driver performance and fixture finish.

RAB's warranty is subject to all terms and conditions found at [rablighting.com/warranty](http://rablighting.com/warranty).

#### Note

All values are typical (tolerance +/- 10%)

## ACCESSORIES



NDCANIC4R



NDCANIC6R



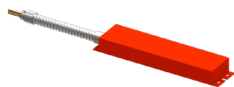
RDCANIC4R



RDCANIC6R

Catalog Number	UPC	Description
NDCANIC4R	19813702346	4" New construction recessed housing IC rated
NDCANIC6R	19813702353	6" New construction recessed housing IC rated

Catalog Number	UPC	Description
RDCANIC4R	19813702322	4" Remodeler recessed housing IC rated
RDCANIC6R	19813702339	6" Remodeler recessed housing IC rated



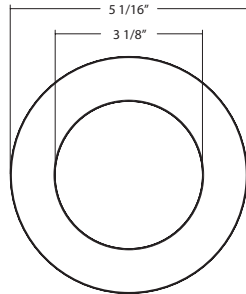
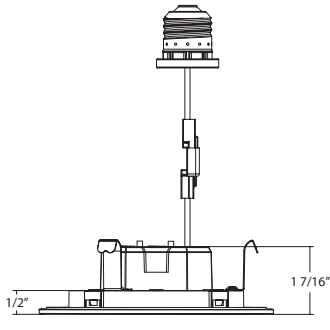
DRI-21-EMGR-DC-D10

Catalog Number	UPC	Description
DRI-21-EMGR-DC-D10	192552028264	Emergency driver T20

## DIMENSIONS

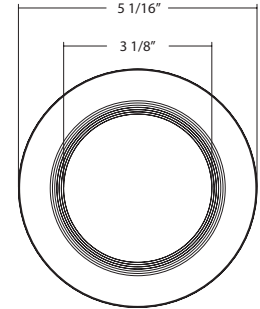
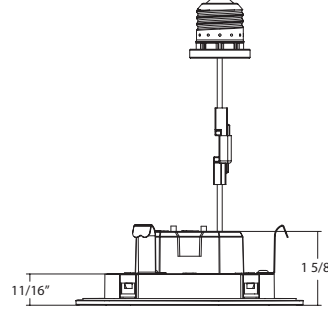
### 4" Smooth

Weight: 0.40 lbs.



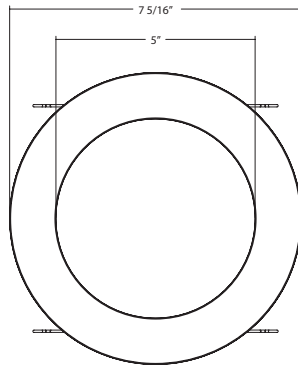
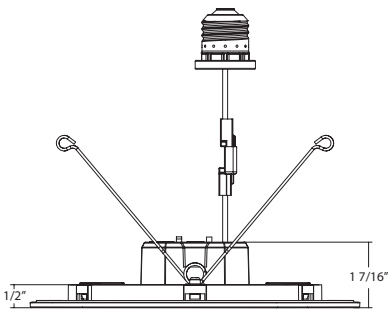
### 4" Baffle

Weight: 0.40 lbs.



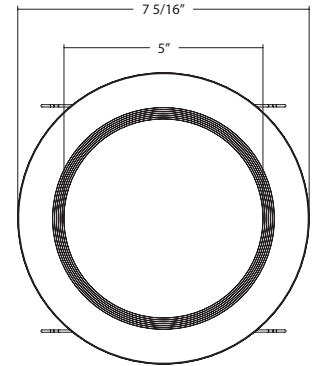
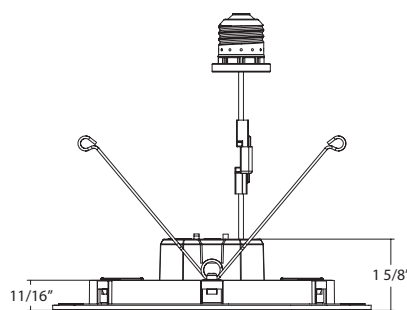
### 6" Smooth

Weight: 0.60 lbs.



### 6" Baffle

Weight: 0.60 lbs.



## ORDERING INFO

Catalog Number	Model Number	UPC	Case Pack
WFRETRO4	DLW0111(WFRETRO4)	192552033992	12
WFRETRO4B	DLW0112(WFRETRO4B)	192552034005	12
WFRETRO6	DLW0113(WFRETRO6)	192552034012	12
WFRETRO6B	DLW0114(WFRETRO6B)	192552034029	12

## ORDERING MATRIX

Family	Size/Wattage	Shape	CRI/Color Temp	Voltage/Dimming	Finish	Trim						
<b>WFRETRO</b>												
WFRETRO	Retrofit 4 6	4", 10/8/6W 6", 15/13/11W	Blank Round	Blank	90 CRI, Field-Adjustable 2700/3000/3500/ 4000/5000K	Blank	120V, TRIAC/ ELV	Blank	White	Blank	Smooth	Baffle