

PORTO Field-Adjustable Garage Light



PRT55R



PRT55S



PRT80R & PRT110R



PRT80S & PRT110S



PORTO Field-Adjustable Garage Light with On/Off Photocell



100,000 HOURS

IP65

IP RATING



FIELD ADJUSTABLE



WET RATED

PROJECT:

DATE:

TYPE:

PREPARED BY:



KEY FEATURES

- Field-selectable wattages:
PRT55: 55/42/30W
PRT80: 80/70/60W
PRT110: 110/95/80W
- Selectable CCT: 3500/4000/5000K
- Available in square & round housing
- 120-277V & 480V
- Standard on/off photocell.
- Battery backup option available for 120-277V models
- Passive infrared and Microwave sensor kits available
- 5-year, limited warranty

TECHNICAL SPECIFICATIONS

COMPLIANCE

UL Listed

Suitable for wet locations

DLC Listed

This product is listed by Design Lights Consortium (DLC) as an ultra-efficient premium product that qualifies for the highest tier of rebates from DLC Member Utilities. Designed to meet DLC 5.1 requirements..

Model#	DLC ID	Model#	DLC ID
PRT55R	S-W1H0RF	PRT55R/480	S-277G14
PRT55S	S-RW3CZZ	PRT55S/480	S-MFG81L
PRT80R	S-RHVW68	PRT80R/480	S-0V9MLN
PRT80S	S-T8TKZS	PRT80S/480	S-VWSXYT
PRT110R	S-31DVSZ	PRT110R/480	S-4CDHKS
PRT110S	S-0BVCWF	PRT110S/480	S-YHSJLZ

LED CHARACTERISTICS

LEDs

Long-life, high-efficacy, surface-mount LEDs

Color Uniformity

RAB's range of Correlated Color Temperature follows the guidelines of the American National Standards for Specifications for the Chromaticity of Solid State Lighting (SLL) Products, ANSI C78.377-2017.

Color Consistency

7-step MacAdam Ellipse binning to achieve consistent fixture-to-fixture color

CONSTRUCTION

Cold Weather Starting

The minimum starting temperature is -40°C (-40°F)

Cold Weather Starting for Battery Backup

The minimum starting temperature is 0°C (32°F)

Maximum Ambient Temperature

Suitable for use in up to 40°C (104°F)

Maximum Ambient Temperature for Battery Backup

Suitable for use in up to 50°C (122°F)

IP Rating

Ingress protection rating of IP65 for dust and water

Housing

Die-cast aluminum

Reflector

Polycarbonate

Lens

Polycarbonate

Mounting

Surface and pendant mounting

Gasket

Silicone rubber

Green Technology

Mercury and UV free. RoHs-compliant components

Finish

Formulated for high durability and long lasting color

TECHNICAL SPECIFICATIONS (CONTINUED)

ELECTRICAL

Drivers

Constant Current, Class 1, 120-277V, 50/60 Hz

PRT55:

55W: 120V: 0.50A, 208V: 0.29V, 240V: 0.25A, 277V: 0.22A
 42W: 120V: 0.35A, 208V: 0.21V, 240V: 0.18A, 277V: 0.15A
 30W: 120V: 0.25A, 208V: 0.15V, 240V: 0.13A, 277V: 0.11A

PRT80:

80W: 120V: 0.75A, 208V: 0.46V, 240V: 0.40A, 277V: 0.32A
 70W: 120V: 0.60A, 208V: 0.34V, 240V: 0.30A, 277V: 0.26A
 60W: 120V: 0.50A, 208V: 0.29V, 240V: 0.25A, 277V: 0.22A

PRT110:

110W: 120V: 0.96A, 208V: 0.56V, 240V: 0.48A, 277V: 0.42A
 95W: 120V: 0.80A, 208V: 0.46V, 240V: 0.40A, 277V: 0.35A
 80W: 120V: 0.67A, 208V: 0.38V, 240V: 0.34A, 277V: 0.29A

Constant Current, Class 1, 480V, 50/60 Hz

PRT55:

55W: 480V: 0.13A
 42W: 480V: 0.09A
 30W: 480V: 0.07A

PRT80:

80W: 480V: 0.20A
 70W: 480V: 0.15A
 60W: 480V: 0.13A

PRT110:

110W: 480V: 0.24A
 95W: 480V: 0.20A
 80W: 480V: 0.17A

Dimming Driver

Driver includes wiring for 0-10V dimming systems. Dim as low as 10%.

THD / Power Factor: (Factory default)

Model#	THD	PF	THD	PF
	120V		120V	
PRT55R	5.4%	99.6%	11.6%	93.6%
PRT55S	4.3%	99.6%	11.6%	93.5%
PRT80R	5.4%	99.7%	8.9%	96.1%
PRT80S	6.6%	99.7%	9.9%	96.4%
PRT110R	4.8%	99.8%	8.7%	96.5%
PRT110S	3.8%	99.8%	7.0%	96.6%

Model#	THD	Power Factor
	480V	
PRT55R/480	16.0%	91.1%
PRT55S/480	16.2%	91.2%
PRT80R/480	11.9%	95.5%
PRT80S/480	12.1%	95.4%
PRT110R/480	12.2%	94.3%
PRT110S/480	12.0%	94.3%

PERFORMANCE

Surge Protection

6kV

Photocell

Integrated on/off photocell

Note

All values are typical (tolerance +/- 10%)

FACTORY DEFAULT

Power Adjustable:

PRT55: 55/42/30W (Default 55W)

PRT80: 80/70/60W (Default 80W)

PRT110: 110/95/80W (Default 110W)

CCT Adjustable: 3500/4000/5000K (Default 4000K)

On/Off Photocell: Default Off

PERFORMANCE

Lifespan

100,000-hour LED lifespan based on IES LM-80 results and TM-21 calculations

OTHER

Warranty

The RAB 5-year, limited warranty covers light output, driver performance and paint finish. RAB's warranty is subject to all terms and conditions found at rablighting.com/warranty.

WIRELESS NETWORK LIGHTING CONTROLS

Lightcloud-enabled products offer integrated network lighting control for a truly wireless solution that allows you to control RAB's various compatible devices. With RAB's patented Rapid Provisioning technology, devices can be quickly and easily commissioned for residential and commercial applications. Each device can then communicate with other devices in the mesh network. With two Lightcloud systems to choose from, it's easy to implement controls within any application.

DLC system - N1XML0EATBA (Interior); NHCZ2BIA17L (Exterior)

Learn more at www.lightcloud.com

Lightcloud Blue (/LCB)

- Utilizes Bluetooth Mesh, eliminating the need for a Gateway or Hub.
- Ideal for applications that need basic wireless control such as ON/OFF, dimming, color tuning, Schedules, and SmartShift.
- Download the Lightcloud Blue mobile app for iOS or Android devices.

Lightcloud Enterprise (/LC)

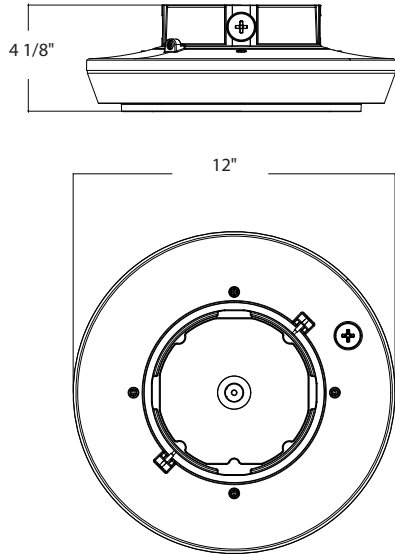
- Utilizes a secure cellular and Zigbee mesh network that requires a Gateway or Hub (sold separately).
- Offers premium features like remote commissioning, demand response, BACnet integration, and more.
- Download the Lightcloud Enterprise mobile app for iOS or Android devices.

PORTO Field-Adjustable Garage Light

DIMENSIONS

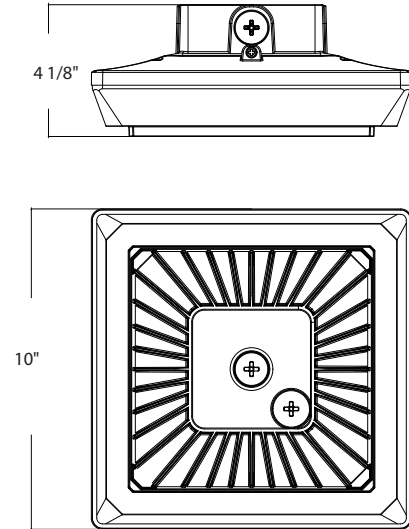
PRT55R

Weight: 3.76 lbs



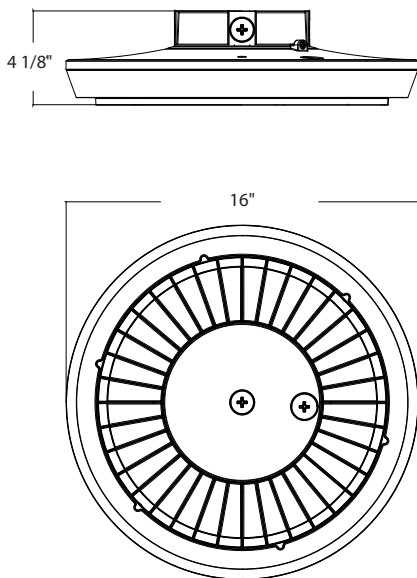
PRT55S

Weight: 3.86 lbs



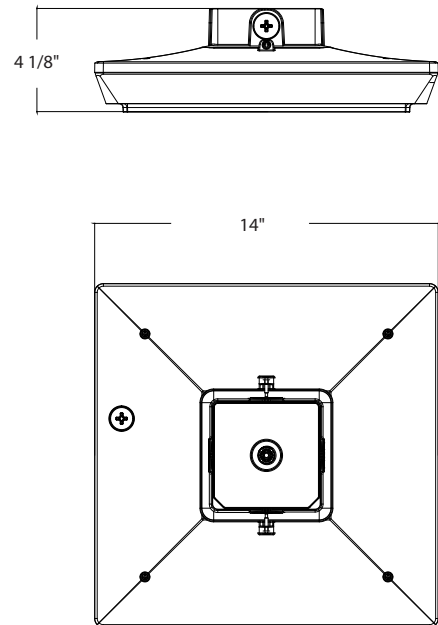
PRT80R & PRT110R

Weight: 6.84 lbs



PRT80S & PRT110S

Weight: 6.94 lbs



PORTO Field-Adjustable Garage Light

PERFORMANCE									
PRT55S	3500K	4000K	5000K	3500K	4000K	5000K	3500K	4000K	5000K
Wattage	55W			42W			30W		
Input Watts	53.7	52.1	53.3	41.4	40.4	41.2	30.3	29.7	30.2
Lumens	7144	7510	7323	5673	5919	5819	4233	4376	4344
Lm/W	133.0	144.1	137.4	137.0	146.5	141.2	139.7	147.3	143.8
CRI	79	81	81	80	81	81	80	81	81
Voltage Ratings	120-277V								
PRT55R	3500K	4000K	5000K	3500K	4000K	5000K	3500K	4000K	5000K
Wattage	55W			42W			30W		
Input Watts	53.3	51.9	53.4	41.2	40.3	41.3	30.2	29.7	30.2
Lumens	7295	7651	7453	5802	6030	5921	4340	4467	4417
Lm/W	136.9	147.4	139.6	140.8	149.6	143.4	143.7	150.4	146.3
CRI	79	81	81	80	81	81	80	81	81
Voltage Ratings	120-277V								
PRT80S	3500K	4000K	5000K	3500K	4000K	5000K	3500K	4000K	5000K
Wattage	80W			70W			60W		
Input Watts	78.1	75.7	77.7	66.8	64.9	66.4	56.8	55.5	56.6
Lumens	10400	11020	10850	9153	9564	9463	7887	8247	8201
Lm/W	133.2	145.6	139.6	137.0	147.4	142.5	138.9	148.6	144.9
CRI	79	81	81	80	81	81	80	81	81
Voltage Ratings	120-277V								
PRT80R	3500K	4000K	5000K	3500K	4000K	5000K	3500K	4000K	5000K
Wattage	80W			70W			60W		
Input Watts	77.7	75.5	77.3	66.8	65.1	66.5	57.7	55.9	57.0
Lumens	10582	11195	10869	9304	9780	9562	8235	8478	8349
Lm/W	136.2	148.3	140.6	139.3	150.2	143.8	142.7	151.7	146.5
CRI	79	81	80	79	81	80	80	81	80
Voltage Ratings	120-277V								
PRT110S	3500K	4000K	5000K	3500K	4000K	5000K	3500K	4000K	5000K
Wattage	110W			95W			80W		
Input Watts	108.0	103.9	107.4	93.2	90.3	92.9	78.2	76.3	78.3
Lumens	13718	14348	14020	12092	12650	12417	10406	10833	10724
Lm/W	127.0	138.1	130.5	129.7	140.1	133.7	133.1	142.0	137.0
CRI	80	81	80	80	81	80	80	81	80
Voltage Ratings	120-277V								
PRT110R	3500K	4000K	5000K	3500K	4000K	5000K	3500K	4000K	5000K
Wattage	110W			95W			80W		
Input Watts	106.1	102.0	105.5	91.4	88.5	91.1	76.7	74.7	76.6
Lumens	13389	14125	13719	11850	12470	12213	10249	10705	10565
Lm/W	126.2	138.5	130.0	129.6	140.9	134.1	133.6	143.3	137.9
CRI	80	82	81	80	82	81	80	82	81
Voltage Ratings	120-277V								

PORTO Field-Adjustable Garage Light

PERFORMANCE

PRT55S/480	3500K	4000K	5000K	3500K	4000K	5000K	3500K	4000K	5000K
Wattage	55W			42W			30W		
Input Watts	56.2	54.7	56.0	43.4	42.6	43.3	31.6	31.1	31.5
Lumens	7359	7758	7561	5761	6014	5905	4228	4370	4328
Lm/W	130.9	141.8	135.0	132.7	141.2	136.4	133.8	140.5	137.4
CRI	79	81	80	79	81	81	80	81	81
Voltage Ratings	480V								

PRT55R/480	3500K	4000K	5000K	3500K	4000K	5000K	3500K	4000K	5000K
Wattage	55W			42W			30W		
Input Watts	55.9	54.6	55.8	43.3	42.5	43.2	31.6	31.1	31.5
Lumens	7485	7887	7664	5865	6117	5989	4312	4453	4396
Lm/W	133.9	144.5	137.3	135.5	143.9	138.6	136.5	143.2	139.6
CRI	79	81	81	80	81	81	80	81	81
Voltage Ratings	480V								

PRT80S/480	3500K	4000K	5000K	3500K	4000K	5000K	3500K	4000K	5000K
Wattage	80W			70W			60W		
Input Watts	82.6	80.6	82.6	71.9	70.4	71.9	62.0	60.8	62.0
Lumens	11001	11646	11396	9679	10226	10061	8435	8872	8780
Lm/W	133.2	144.5	138.0	134.6	145.3	139.9	136.0	145.9	141.6
CRI	79	81	81	79	81	81	80	81	81
Voltage Ratings	480V								


















PRT80R/480	3500K	4000K	5000K	3500K	4000K	5000K	3500K	4000K	5000K
Wattage	80W			70W			60W		
Input Watts	83.0	81.0	83.0	72.3	70.7	72.3	62.1	61.1	62.3
Lumens	11318	11993	11643	10022	10544	10295	8723	9156	8993
Lm/W	136.4	148.1	140.3	138.6	149.1	142.4	140.5	149.9	144.3
CRI	79	81	80	79	81	80	79	81	80
Voltage Ratings	480V								

PRT110S/480	3500K	4000K	5000K	3500K	4000K	5000K	3500K	4000K	5000K
Wattage	110W			95W			80W		
Input Watts	110.3	106.7	110.3	95.3	92.5	95.3	80.8	78.8	80.8
Lumens	13700	14631	14164	12148	12854	12529	10563	11067	10880
Lm/W	124.2	137.1	128.4	127.5	139.0	131.5	130.7	140.4	134.7
CRI	80	82	81	80	82	81	80	82	81
Voltage Ratings	480V								

PRT110R/480	3500K	4000K	5000K	3500K	4000K	5000K	3500K	4000K	5000K
Wattage	110W			95W			80W		
Input Watts	110.5	106.6	110.3	95.3	92.4	95.2	80.8	78.8	80.8
Lumens	13926	14807	14327	12301	13024	12714	10699	11229	11065
Lm/W	126.0	138.9	129.9	129.1	141.0	133.6	132.4	142.5	136.9
CRI	80	82	81	80	81	81	80	81	81
Voltage Ratings	480V								

PORTO Field-Adjustable Garage Light

ACCESSORIES

IMAGE	SKU#	UPC	DESCRIPTION	WEIGHT
	MVS20	192552026017	LOW CEILING LOW VOLTAGE MVS SENSOR WHITE	0.10 lb
	MVS20/LCB	192552042253	LC BLUE LOW CEILING LOW VOLTAGE LUMINAIRE CONTROLLER WITH MVS WHITE	0.10 lb
	MVS20B	192552042291	LOW CEILING LOW VOLTAGE MVS SENSOR BLACK	0.10 lb
	MVS20B/LCB	192552042277	LC BLUE LOW CEILING LOW VOLTAGE LUMINAIRE CONTROLLER WITH MVS BLACK	0.10 lb
	MVS50	192552025997	HIGH CEILING LOW VOLTAGE MVS SENSOR WHITE	0.10 lb
	MVS50/LCB	192552026062	LC BLUE HIGH CEILING LOW VOLTAGE LUMINAIRE CONTROLLER WITH MVS WHITE	0.14 lb
	MVS50B	192552042314	HIGH CEILING LOW VOLTAGE MVS SENSOR BLACK	0.10 lb
	MVS50B/LCB	192552036924	LC BLUE HIGH CEILING LOW VOLTAGE LUMINAIRE CONTROLLER WITH MVS BLACK	0.14 lb
	PIR20	192552026024	LOW CEILING LOW VOLTAGE PIR SENSOR WHITE	0.10 lb
	PIR20/LCB	192552042246	LC BLUE LOW CEILING LOW VOLTAGE LUMINAIRE CONTROLLER WITH PIR WHITE	0.10 lb
	PIR20B	192552042284	LOW CEILING LOW VOLTAGE PIR SENSOR BLACK	0.10 lb
	PIR20B/LCB	192552042260	LC BLUE LOW CEILING LOW VOLTAGE LUMINAIRE CONTROLLER WITH PIR BLACK	0.10 lb
	PIR40	192552026000	HIGH CEILING LOW VOLTAGE PIR SENSOR WHITE	0.10 LB
	PIR40/LCB	192552026079	LC BLUE HIGH CEILING LOW VOLTAGE LUMINAIRE CONTROLLER WITH PIR WHITE	0.12 lb
	PIR40B	192552042307	HIGH CEILING LOW VOLTAGE PIR SENSOR BLACK	0.10 LB
	PIR40B/LCB	192552036917	LC BLUE HIGH CEILING LOW VOLTAGE LUMINAIRE CONTROLLER WITH PIR BLACK	0.12 lb
	MSR1	192552026055	MULTI SENSOR REMOTE IP20	0.25 lb

PORTO Field-Adjustable Garage Light

ORDERING MATRIX

PORTO

Family	Wattage	Color Temperature	Shape	Finish	Driver	Options
PRT						
55	55/42/30W	BLANK 3500/4000/5000K	S Square	BLANK	120-277V, 0-10V Dimming	BLANK
80	80/70/60W	CCT Adjustable	R Round	W	480V, 0-10V Dimming	/E
110	110/95/80W					On/Off Photocell* Battery Backup** & On/Off Photocell Lightcloud Controller /LC Lightcloud Controller W/Battery Backup** /LC/E Lightcloud Controller W/Battery Backup** /LCB Lightcloud Blue Enabled & On/Off Photocell /LCB/E Lightcloud Blue Enabled w/ Battery Backup**

* Integrated photocell can't be used when ordered with LC or LCB options

** Battery backup only available on 120-277V models