

PROJECT: _____

DATE: _____

TYPE: _____

PREPARED BY: _____



KEY FEATURES

- **Adjustable wattages:**
1X4 & 2X2 models - 30/25/18W (30W factory default)
2X4 models - 35/30/25W (35W factory default)
- Adjustable CCT: 3500/4000/5000K (4000K factory default)
- Smart & non-smart sensor options
- Battery backup option available
- 5-year, limited warranty

Field-Adjustable Retrofit Panels



TECHNICAL SPECIFICATIONS

COMPLIANCE

UL Listed

Suitable for damp locations

IESNA LM-79 & LM-80 Testing

RAB LED luminaires and LED components have been tested by an independent laboratory in accordance with IESNA LM-79 and LM-80

DLC Listed

This product is listed by Design Lights Consortium (DLC) as an ultra-efficient premium product that qualifies for the highest tier of rebates from DLC Member Utilities. Designed to meet DLC 5.1 requirements.

| MODEL# | DLC ID |
|----------|----------|
| RPLED2X2 | S-D67WRC |
| RPLED1X4 | S-FNQS0W |
| RPLED2X4 | S-CSN5NZ |

LED CHARACTERISTICS

LEDs

Long-life, high-efficacy, discrete, surface-mount LEDs

Color Uniformity

RAB's range of Correlated Color Temperature follows the guidelines of the American National Standards for Specifications for the Chromaticity of Solid State Lighting (SLL) Products, ANSI C78.377-2017.

CONSTRUCTION

Cold Weather Starting

The minimum starting temperature is -20°C (-4°F)

Maximum Ambient Temperature

Suitable for use in up to 40°C (104°F)

Cold Weather Starting for Emergency Battery

The minimum starting temperature is 5°C (41°F)

Maximum Ambient Temperature for Emergency Battery

Suitable for use in up to 50°C (122°F)

Mounting

Mounting bracket: Two brackets and two decorative bars (optional). Two steel clips provided, secured to the housing for securement of the mounting bracket.

Housing

Galvanized sheet housing and aluminum frame

Lens

Frosted Polystyrene (PS)

Green Technology

Mercury and UV free. RoHS-compliant components.

Finish

Formulated for high durability and long-lasting color

IC Rated

Suitable for direct contact with insulation

TECHNICAL SPECIFICATIONS

ELECTRICAL

Drivers:

RPLED2X2 / RPLED1X4

Constant Current, Class 2, Class P, 120-277V, 50/60 Hz
30W: 120V: 0.25A, 208V: 0.15A, 240V: 0.13A, 277V: 0.11A
25W: 120V: 0.21A, 208V: 0.12A, 240V: 0.11A, 277V: 0.10A
18W: 120V: 0.16A, 208V: 0.09A, 240V: 0.08A, 277V: 0.07A

RPLED2X4

Constant Current, Class 2, Class P, 120-277V, 50/60 Hz
35W: 120V: 0.28A, 208V: 0.17A, 240V: 0.15A, 277V: 0.12A
30W: 120V: 0.25A, 208V: 0.15A, 240V: 0.13A, 277V: 0.11A
25W: 120V: 0.21A, 208V: 0.12A, 240V: 0.11A, 277V: 0.10A

Dimming Driver:

Driver includes dimming control wiring for 0-10V dimming systems.
Requires separate 0-10V DC dimming circuit.

Emergency Light Loss Factor:

RPLED2X2: 13%

RPLED1X4: 13%

RPLED2X4: 12%

THD:

RPLED2X2: 10.41% at 120V, 9.15% at 277V

RPLED1X4: 17.07% at 120V, 10.35% at 277V

RPLED2X4: 8.42% at 120V, 8.39% at 277V

Power Factor:

RPLED2X2: 99.5% at 120V, 98.1% at 277V

RPLED1X4: 99.5% at 120V, 89.2% at 277V

RPLED2X4: 99.5% at 120V, 98.3% at 277V

Note: All values are typical (tolerance +/- 10%)

NETWORKED MICROWAVE OCCUPANCY SENSOR WITH LIGHTCLOUD BLUE (OPTIONAL)

Lightcloud Blue Installed

Lightcloud Blue is a Bluetooth Mesh wireless lighting control system that allows you to control RAB's various compatible devices. With RAB's patented Rapid Provisioning technology, devices can be quickly and easily commissioned for residential and large commercial applications using the Lightcloud Blue mobile app. Each device in a system can communicate with any other device, eliminating the need for a Gateway or Hub and maximizing the control system's reach.

Gateway Required: No

Communication Protocol: Bluetooth Mesh

Range Indoor: Up to 60 feet between standard building materials. Building materials such as brick, concrete, and steel construction may require additional Lightcloud Blue devices to extend around an obstruction; Up to 200 feet clear line of sight.

Spacing Criteria: Lightcloud Blue devices should be placed within the specified range to communicate within the Bluetooth Mesh network.

Factory Reset: Method 1- Delete from App when device is online.
Method 2- Press and hold the button of LCBAUX/B for 10 s. Indicator is RED at factory new status

Sensor Connection Type: RJ09

Sensor Max Mounting Height: 13 ft.

Detection Range: 18 ft. to 44 ft. diameter mounted at 13 ft.

Sensor Technology: Microwave (MVS)

Default Setting: Uncommissioned State

Adjustable Sensor Settings?: Yes, using the Lightcloud Blue mobile app

Sensing Type: Occupancy or Vacancy (option to disable or set as an independent sensor)

NETWORKED MICROWAVE OCCUPANCY SENSOR WITH LIGHTCLOUD BLUE (OPTIONAL) (CONTINUED)

Occupied Actions: On or On at a Dim Level

Vacant Actions: Off or On at a Dim Level

Occupancy Timeout: 1 minute to 240 minutes

Sensor Default Setting:

Uncommissioned State:

- Brightness: 100%
- Hold Time: 20 Minutes
- Motion Sensitivity: High
- Stand-by dimming level: 20%
- Stand-by time: 1 Minute

Commissioned State: Disabled, After Turn on the Occupancy Mode

- Brightness: Last on Brightness
- Hold Time: 20 Minutes
- Motion Sensitivity: High
- Stand-by dimming level: 20%
- Stand-by time: 0 Minute (edited)

NON-NETWORKED MICROWAVE OCCUPANCY SENSOR

Operating Temperature: -20°C to +60°C (-4°F to +140°F)

Maximum Mounting Height: 13 feet

Customizable Detection Area: 25, 50, 75 or 100%

Time Delay: 5s/30s/1min/3min/5min/10min/20min/30min

Cut-Off Period: 0s/10s/30s/1min/5min/10min/30min/60min/+∞

Cut-Off Dimming level: 10, 20, 30, 50%

Cut-Off Power: Less than 1W

Daylight Threshold: 2Lux/10Lux/30Lux/50Lux/80Lux/120Lux/200Lux/250Lux/300Lux/350Lux/400Lux/Disable

Microwave Frequency: 5.8GHz +/- 75MHz

Microwave Power: <0.3mW

Max Detection Range: 18 ft. to 44 ft. diameter mounted at 13 ft.

Detection Angle: About 30 to 150 degree

Default Setting:

- Brightness: 100%
- Hold Time: 20 Minutes
- Daylight: Disabled
- Sensitivity: 100%
- Stand-by dimming level: 20%

Remote Control: Adjust settings using remote control (catalog# MSR1). Only available with 0-10V dimming driver options.

PERFORMANCE

Lifespan

100,000-Hour LED lifespan based on IES LM-80 results and TM-21 calculations

OTHER


Warranty

The RAB 5-year, limited warranty covers light output, driver performance and paint finish. RAB's warranty is subject to all terms and conditions found at rablighting.com/warranty.

RPLED Field-Adjustable Retrofit Panels



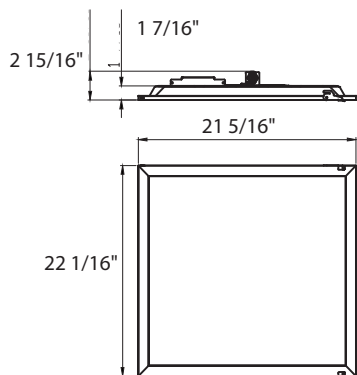
ACCESSORY

| Image | SKU# | UPC | Description |
|---|------|--------------|----------------------------------|
|  | MSR1 | 192552026055 | MULTI-SENSOR REMOTE CONTROL IP20 |

DIMENSIONS

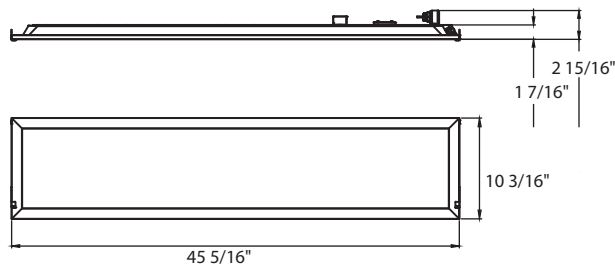
RPLED2X2

Weight: 3.48 lbs



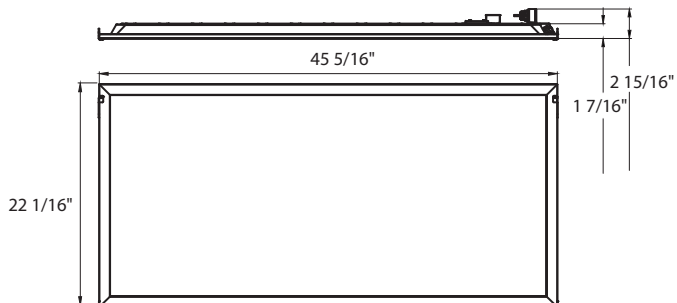
RPLED1X4

Weight: 3.2 lbs



RPLED2X4

Weight: 6.4 lbs



RPLED Field-Adjustable Retrofit Panels



PERFORMANCE

| RPLED2X2 | 3500K | 4000K | 5000K | 3500K | 4000K | 5000K | 3500K | 4000K | 5000K |
|---------------|----------|-------|-------|----------|-------|-------|----------|-------|-------|
| WATTS | 30W | | | 25W | | | 18W | | |
| INPUT WATTS | 29.1W | 27.9W | 29W | 25.3W | 34.4W | 25.2W | 19W | 18.4W | 18.9W |
| LUMENS | 3,697 | 3,862 | 3,798 | 3,303 | 3,431 | 3,395 | 2,505 | 2,578 | 2,571 |
| LM/W | 127.0 | 138.4 | 131.0 | 130.6 | 140.6 | 134.7 | 131.8 | 140.1 | 136.0 |
| CRI | 83 | 85 | 84 | 83 | 85 | 84 | 84 | 85 | 84 |
| INPUT VOLTAGE | 120-277V | | | 120-277V | | | 120-277V | | |

| RPLED2X4 | 3500K | 4000K | 5000K | 3500K | 4000K | 5000K | 3500K | 4000K | 5000K |
|---------------|----------|-------|-------|----------|-------|-------|----------|-------|-------|
| WATTS | 35W | | | 30W | | | 25W | | |
| INPUT WATTS | 33.8W | 32.8W | 33.6W | 30.2W | 29.1W | 30W | 25.4W | 24.6W | 25.3W |
| LUMENS | 4,554 | 4,749 | 4,689 | 4,155 | 4,291 | 4,274 | 3,543 | 3,643 | 3,646 |
| LM/W | 134.7 | 144.8 | 139.6 | 137.6 | 147.5 | 142.5 | 139.5 | 148.4 | 144.1 |
| CRI | 83 | 85 | 84 | 84 | 85 | 84 | 84 | 85 | 84 |
| INPUT VOLTAGE | 120-277V | | | 120-277V | | | 120-277V | | |

| RPLED1X4 | 3500K | 4000K | 5000K | 3500K | 4000K | 5000K | 3500K | 4000K | 5000K |
|---------------|----------|-------|-------|----------|-------|-------|----------|-------|-------|
| WATTS | 30W | | | 25W | | | 18W | | |
| INPUT WATTS | 29.2W | 27.8W | 28.9W | 25.5W | 24.4W | 25.3W | 19W | 18.4W | 18.9W |
| LUMENS | 3,722 | 3,894 | 3,825 | 3,327 | 3,464 | 3,421 | 2,529 | 2,611 | 2,601 |
| LM/W | 127.5 | 140.1 | 132.4 | 130.5 | 142.0 | 135.2 | 133.1 | 141.9 | 137.6 |
| CRI | 83 | 85 | 84 | 83 | 85 | 84 | 84 | 85 | 84 |
| INPUT VOLTAGE | 120-277V | | | 120-277V | | | 120-277V | | |

ORDERING MATRIX

RPLED

| Family | Size (Wattages) | Color Temp | Finish | Voltage | Options |
|--------|---|---|---|--|--|
| RPLED | <div style="border: 1px solid black; width: 100px; height: 20px;"></div> 2X2 2'X2' (30/25/18W) Adjustable 1X4 1'X4' (30/25/18W) Adjustable 2X4 2'X4' (35/30/25W) Adjustable | <div style="border: 1px solid black; width: 100px; height: 20px;"></div> Blank 3500/4000/5000K Adjustable CCT | <div style="border: 1px solid black; width: 100px; height: 20px;"></div> Blank White | <div style="border: 1px solid black; width: 100px; height: 20px;"></div> Blank 120-277V, 0-10V Dimming | <div style="border: 1px solid black; width: 100px; height: 20px;"></div> Blank /E Battery Backup /MVS Microwave Occupancy Sensor /LCB Lightcloud Blue Controller /LCBS/MVS Lightcloud Blue enabled Microwave Sensor /MVS/E Microwave Occupancy Sensor w/Battery Backup /LCB/E Lightcloud Blue w/Battery Backup /LCBS/MVS/E Lightcloud Blue enabled Microwave Sensor w/Battery Backup |