

LPACK Field-Adjustable Wall Pack



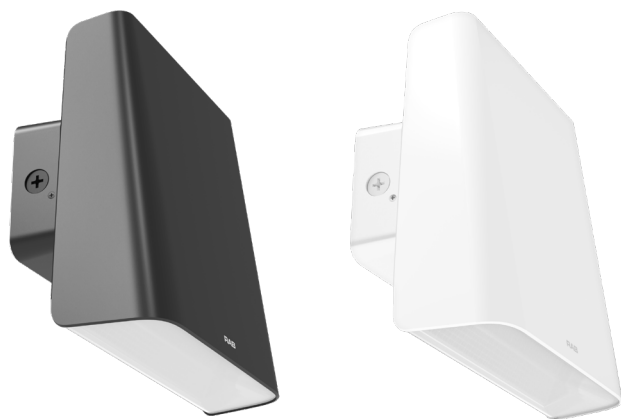
WPLEDL

PROJECT:

DATE:

TYPE:

PREPARED BY:



KEY FEATURES

- Selectable wattages:
WPLEDL: 113W/85W/58W
- Selectable CCT: 3000K/4000K/5000K
- Selectable on/off photocell.
- Optional Lightcloud Blue-enabled MVS motion sensor
- Voltage ratings: 120-277V
- Comes with integrated junction box
- Suitable for wet locations
- 5-Year, no-compromise warranty

The field-adjustable wall pack with on/off photocell



0-10V



100,000
HRS



WET
RATED



FIELD
ADJUSTABLE

TECHNICAL SPECIFICATIONS

COMPLIANCE

UL Listed:

Suitable for wet locations. Suitable for mounting within 4 feet of the ground.

DLC Listed:

This product is listed by Design Lights Consortium (DLC) as an ultra-efficient premium product that qualifies for the highest tier of rebates from DLC Member Utilities. Designed to meet DLC 5.1 requirements.

DLC Product ID: S-7SSG86

LED CHARACTERISTICS

LEDs:

Long-life, high-efficacy, surface-mount LEDs

Color Uniformity:

RAB's range of Correlated Color Temperature follows the guidelines of the American National Standards for Specifications for the Chromaticity of Solid State Lighting (SLL) Products, ANSI C78.377-2017.

Color Consistency:

7-step MacAdam Ellipse binning to achieve consistent fixture-to-fixture color

IESNA LM-79 & LM-80 Testing:

RAB LED luminaires and LED components have been tested by an independent laboratory in accordance with IESNA LM-79 and LM-80.

CONSTRUCTION

Cold Weather Starting:

Minimum starting temperature is -40°C (-40°F)

Maximum Ambient Temperature:

Suitable for use in up to 40°C (104°F)

Mounting:

Integrated junction box for wall mounting.

Housing Material:

Die-case aluminum

Lens:

Acrylic

Reflector:

Specular aluminum

Green Technology:

Mercury and UV free. RoHS-compliant components.

Finish:

Formulated for high durability and long lasting color

TECHNICAL SPECIFICATIONS (CONTINUED)

FIELD ADJUSTABLE

Color temperature: Selectable 3000/4000/5000K (4000K default)
 Wattage: Selectable 113/85/58W (85W default)
 Photocell setting: on/off (off default)

ELECTRICAL

Drivers:
 Constant Current, Class 2, 120-277V, 50/60 Hz

WPLEDL:
113W: 120V: 0.96A, 208V: 0.55A, 240V: 0.47A, 277V: 0.44A
85W: 120V: 0.70A, 208V: 0.41A, 240V: 0.36A, 277V: 0.34A
58W: 120V: 0.48A, 208V: 0.287A, 240V: 0.26A, 277V: 0.25A

Dimming Driver:
 Dims down to 10% and then off

Surge Protection:
 Line-Line: 6kV; Line - GND: 10kV

Note:
 All values are typical (tolerance +/- 10%)

THD/Power Factor:

MODEL#	THD	PF	THD	PF
	120V		277V	
WPLEDL 113W	8.5%	99.4%	10.6%	92.7%
WPLEDL 85W	8.2%	99.2%	10.3%	88.6%
WPLEDL 58W	7.8%	98.8%	11.7%	81.0%

Selectable Photocell
 All models come standard with an integrated, selectable, on/off photocell that can automatically control when the wall packs turn on for even greater energy savings.

LIGHTCLOUD BLUE

Lightcloud Blue enabled:
 Lightcloud Blue (LCB) is a Bluetooth Mesh wireless lighting control system that allows you to control RAB's various compatible devices. With RAB's patented Rapid Provisioning technology, devices can be quickly and easily commissioned for residential and large commercial applications using the Lightcloud Blue mobile app. Each device in a system can communicate with any other device, eliminating the need for a Gateway or Hub and maximizing the control system's reach.

DLC system - N1XMLOEATBA (Interior); NHCZ2BIA17L (Exterior)

Learn more at <http://www.lightcloud.com>

OCCUPANCY SENSORS (OPTIONAL)

Sensor Type: Microwave (MVS)
Sensor Mounting: Externally mounted to fixture using bracket A-100479
Integrated Sensor Model Number(s): /LCBS/MVS option uses MVS50/LCB + Bracket A-100479
Input Voltage: 12VDC
Operating Frequency: 50/60Hz
Input Current: 30mA
Operating Temperature: -40°F to 140°F (-20°C to 60°C)
Max Mounting Height: 50 ft (MVS)
Detection Range: MVS: 50 ft diameter mounted at 50

OCCUPANCY SENSORS (OPTIONAL)

Daylight Sensing: The sensor will determine to trigger the light(s) on or not based on the daylight threshold level set.

Default Settings:
 Motion Sensitivity: High
 Brightness when triggered : 100%
 Hold time: 20 minutes
 Standby to dim: 20%
 Standby time: 1 minute
 When vacant: Off
 Daylight: Disabled

Adjustable Settings: Settings for Lightcloud Blue-enabled sensors can be adjusted using the mobile app.

PERFORMANCE

Lifespan:
 100,000-hour LED lifespan based on IES LM-80 results and TM-21 calculations

OTHER

Warranty:
 The RAB 5-year, no-compromise warranty covers light output, color stability, driver performance, paint finish and labor. RAB's warranty is subject to all terms and conditions found at rablighting.com/warranty.

BUY American Act Compliance:
 RAB values USA manufacturing! Upon request, RAB may be able to manufacture this product to be compliant with the BUY American Act (BAA). Please contact customer service to request a quote for the product to be made BAA compliant.

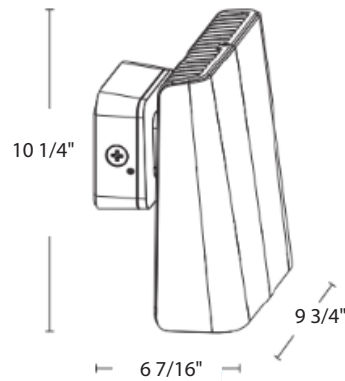
LPACK Field-Adjustable Wall Pack



DIMENSIONS

WPLEDL

Weight: 11 lbs



PERFORMANCE

WPLEDL	3000K	4000K	5000K	3000K	4000K	5000K	3000K	4000K	5000K
WATTAGE	113W			85W			58W		
INPUT WATTS	114.6W	108.5W	114.6W	83.4W	79.8W	83.5W	57.3W	55.5W	57.3W
LUMENS	13,667	14,968	14,302	10,545	11,388	11,126	7,533	7,973	7,948
EFFICACY	119.3	138.0	124.8	126.4	142.7	133.2	131.5	143.7	138.7
CRI	83	85	83	83	85	83	83	85	83
VOLTAGE RATING	120-277V								

ORDERING MATRIX

LPACK

Family	Size/Wattage	Mounting	Color Temperature	Finish	Voltage/Driver	Options
WPLED	L					
L	Large (113/85/58W)	BLANK Integrated Junction Box	BLANK 3000/4000/5000K Adjustable CCT	BLANK W Bronze White	BLANK 120-277V, 0-10V Dimming	BLANK /LCBS/MVS Integrated Photocell Lightcloud Blue w/ Microwave Motion Sensor