

LF17 Field-Adjustable Landscape Lighting



LF17



PROJECT:

DATE:

TYPE:

PREPARED BY:



KEY FEATURES

- Adjustable wattages: 8/5/4/2/1W (8W default)
- CCT: adjustable 2700/3000/3500/4000/5000K (4000K default)
- Knuckle arm mounting
- Available in **bronze, white and black** finish
- UL listed for **wet location**
- IP65 rated
- 120V
- **0-10V** dimmable
- 5-Year limited warranty

Field-adjustable floodlight



0-10V



50,000 HOURS



WET RATED

IP65

IP RATING



FIELD ADJUSTABLE

TECHNICAL SPECIFICATIONS

COMPLIANCE

UL Listed

Suitable for wet locations

LED CHARACTERISTICS

LEDs

Long-life, high-efficacy, surface-mount LEDs

Color Uniformity

RAB's range of Correlated Color Temperature follows the guidelines of the American National Standards for Specifications for the Chromaticity of Solid State Lighting (SLL) Products, ANSI C78.377-2017.

Color Consistency

7-step MacAdam Ellipse binning to achieve consistent fixture-to-fixture color.

FACTORY DEFAULT

CCT: Adjustable(2700/3000/3500/4000/5000K) default: 4000K

Wattage: Adjustable (8/5/4/2/1W) default: 8W

CONSTRUCTION

Cold Weather Starting

Minimum starting temperature is -40°C (-40°F)

Maximum Ambient Temperature

Suitable for use in up to 40°C (104°F)

Housing

Die-cast aluminum

Mounting

Knuckle arm

Lens

Polymethyl methacrylate

Gaskets

O-ring silicone

Green Technology

Mercury and UV free. RoHs-compliant components.

Finish

Formulated for high durability and long lasting color. Available in black, bronze & white finish.

IP Rating

Ingress protection of IP65 for dust and water

TECHNICAL SPECIFICATIONS (CONTINUED)

ELECTRICAL

Drivers:

Constant Current, Class 2, Class P , 120V, 50/60 Hz

LF17:

8W: 120V: 0.07A

5W: 120V: 0.04A

4W: 120V: 0.03A

2W: 120V: 0.02A

1W: 120V: 0.01A

Surge Protection

2.5kV

Dimming Driver:

Driver includes dimming control wiring for 0-10V dimming systems. Requires separate 0-10V DC dimming circuit. Dims down to 10%.

THD (factory default):

8W: 120V: 6.9%

Power Factor (factory default):

8W: 120V: 99.7%

PERFORMANCE

Lifespan

50,000-hour LED lifespan based on IES LM-80 results and TM-21 calculations

OTHER

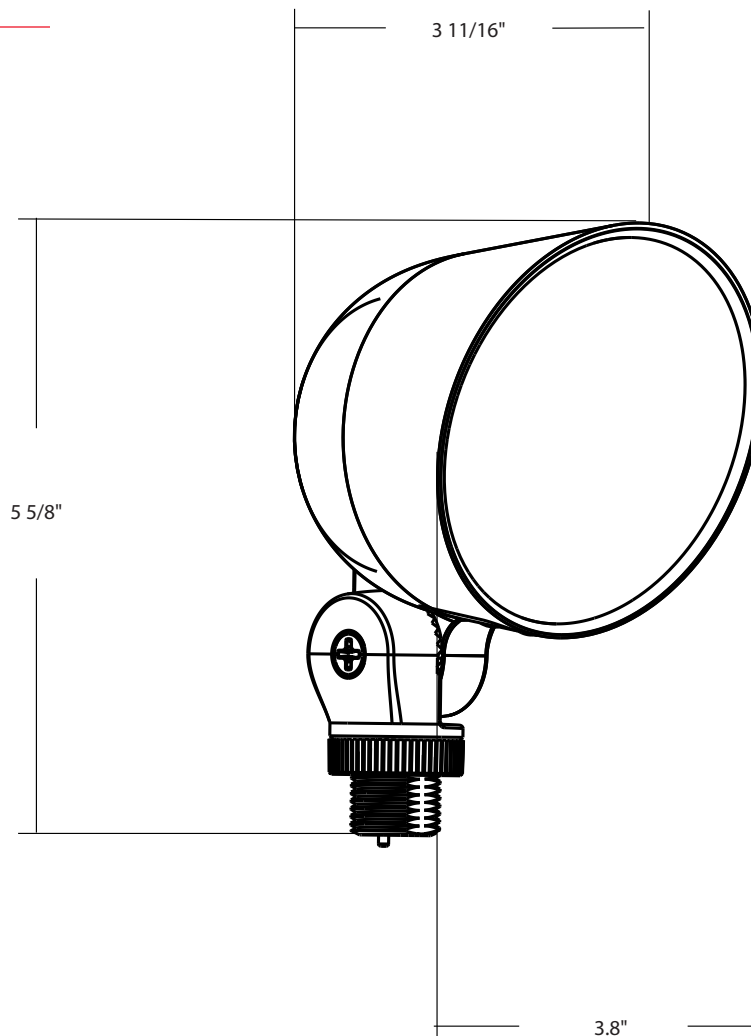
Warranty

The RAB 5-year, limited warranty covers light output, driver performance and paint finish. RAB's warranty is subject to all terms and conditions found at rablighting.com/warranty.

DIMENSIONS

LF17

Weight 1.01 lbs



LF17 Field-Adjustable Landscape Lighting



PERFORMANCE

LF17 8W	2700K	3000K	3500K	4000K	5000K	LF17 5W	2700K	3000K	3500K	4000K	5000K
Wattage	8W					Wattage	5W				
Input Watts	8.0W	7.9W	7.8W	7.7W	7.9W	Input Watts	5.4W	5.4W	5.3W	5.3W	5.4W
Lumens	996	1,023	1,076	1,115	1,105	Lumens	707	731	761	788	787
Lm/W	124.5	129.5	137.9	144.8	139.9	Lm/W	130.9	135.4	143.6	148.7	145.7
CRI	82	83	84	85	83	CRI	82	83	85	85	83
Voltage Rating	120V					Voltage Rating	120V				

LF17 4W	2700K	3000K	3500K	4000K	5000K	LF17 2W	2700K	3000K	3500K	4000K	5000K
Wattage	4W					Wattage	2W				
Input Watts	3.8W	3.8W	3.8W	3.7W	3.8W	Input Watts	2.3W	2.3W	2.3W	2.3W	2.3W
Lumens	506	522	547	553	565	Lumens	297	306	319	329	333
Lm/W	133.2	137.4	143.9	149.5	148.7	Lm/W	129.1	133.0	138.7	143.0	144.8
CRI	82	83	85	85	83	CRI	82	84	85	85	84
Voltage Rating	120V					Voltage Rating	120V				

LF17 1W	2700K	3000K	3500K	4000K	5000K
Wattage	1W				
Input Watts	1.5W	1.5W	1.5W	1.5W	1.5W
Lumens	179	183	190	195	200
Lm/W	119.3	122.0	126.7	130.0	133.3
CRI	82	84	85	86	84
Voltage Rating	120V				

ORDERING MATRIX

LF17

Family	Wattages	Mounting	Color Temperature	Finish	Voltage
LF17	<input type="text"/> BLANK 8/5/4/2/1W Adjustable	<input type="text"/> BLANK Knuckle Arm	<input type="text"/> BLANK 2700/3000/3500/4000/5000K CCT Adjustable	<input type="text"/> BLANK W B Bronze White Black	<input type="text"/> BLANK 120V, 0-10V Dimming