

HAZBAYLED Hazardous Locations High Bay

HAZBAYLED 100W, 150W & 200W



CLEAR LENS



FROSTED LENS

PROJECT: _____

DATE: _____

TYPE: _____

PREPARED BY: _____



HAZBAYLED 300W



CLEAR LENS



FROSTED LENS

KEY FEATURES

- Available in two housing sizes and four wattages:
Medium: 100W, 150W and 200W
Large: 300W
- Available CCT: 5000K
- Voltage rating 120-277V. 480V also offered in 150W, 200W & 300W models
- Standard two mounting options: **Yoke** for surface mount or remove it for **pendant** mounts (pendant by others)
- Designed to perform in areas with **hazardous vapor and gases**
- **Wire guards** available for both the sizes
- **Battery backup** options available
- IP66 rated
- UL Listed for **wet** location
- Certified for use in:
Class I, Division 2, Groups A, B, C, D
Class II Division 1 (Groups E, F, G), Class II Division 2 (Groups F, G)
Class III
- 5-Year, no-compromise warranty

HAZBAYLED High Bay for Hazardous Locations



0-10V



100,000 HOURS



IP RATING



WET RATED

TECHNICAL SPECIFICATIONS

LED CHARACTERISTICS

LEDs

Long-life, high-efficacy, discrete, surface-mount LEDs

Color Uniformity

RAB's range of Correlated Color Temperature follows the guidelines of the American National Standard for Specifications for the Chromaticity of Solid State Lighting (SSL) Products, ANSI C78.377-2017.

COMPLIANCE

DLC Listed

This product is on the Design Lights Consortium (DLC) Qualified Products List and is eligible for rebates from DLC Member Utilities. Designed to meet DLC 5.1 requirements.

COMPLIANCE

CATALOG#	DLC ID	CATALOG#	DLC ID
HAZBAYLED100CF	S-ZFFYDF	HAZBAYLED150CF/480	S-XG2HNF
HAZBAYLED100FF	S-VPQ1V3	HAZBAYLED150FF/480	S-KCRG96
HAZBAYLED150CF	S-W8BYGN	HAZBAYLED200CF/480	S-XP2MFQ
HAZBAYLED150FF	S-P0G4Y3	HAZBAYLED200FF/480	S-7MQCHX
HAZBAYLED200CF	S-CT6C22	HAZBAYLED300CF/480	S-NC139D
HAZBAYLED200FF	S-FC6B2C	HAZBAYLED300FF/480	S-F60Q4Z
HAZBAYLED300CF	S-FRZYVB		
HAZBAYLED300FF	S-XHFYGG		

IP Listing

Ingress protection rating of IP66 for dust and water

HAZBAYLED Hazardous Locations High Bay

TECHNICAL SPECIFICATIONS

COMPLIANCE

Hazardous Location Classifications

Class I Division 2 (Groups A, B, C, D):

Class I: A hazardous location in which flammable gases or vapors may be present in the air in sufficient quantities to be explosive or ignitable, such as petroleum refineries, aircraft hangars, dry cleaning plants, utility gas plants or storage areas for liquified petroleum or natural gas, and spray finishing areas.

Division 2: Abnormal condition, where ignitable concentrations of flammable gases, vapors or liquids are not like to exist under normal operating conditions, for example: Closed storage drums containing flammable liquids in an inside storage room would not normal allow the hazardous vapors to escape into the atmosphere. But if one of the containers is leaking, you've got an abnormal condition.

Group A - The only substance in group A is acetylene because it is a gas with extremely high explosion pressures.

Group B - This group includes hydrogen and other materials with similar characteristics.

Group C & D - The most usual Class 1 groups. They comprise the greatest percentage of all Class I hazardous locations. Found in Group C is ethylene. Found in Group D are many of the most common flammable substances such as butane, gasoline, natural gas and propane.

Class II Division 1 (Groups E, F, G):

Class II: Combustible dust may be present

Division 1: Ignitable concentrations of hazards exist under normal operation condition and /or where the hazard is caused by frequent maintenance or repair work or frequent equipment failure.

E: Combustible metal dusts: aluminum, commercial alloys and coke dusts

F: Combustible carbonaceous dusts: carbon black, charcoal, coal and coke dusts

G: Other combustible dusts: Chemicals, flour, grain, plastic and wood

Class II Division 2 (Groups F, G):

Class II: Combustible dust may be present

Division 2: Ignitable concentrations of hazards exist under abnormal operation conditions

F: Combustible carbonaceous dusts: carbon black, charcoal, coal and coke dusts

G: Other combustible dusts: Chemicals, flour, grain, plastic and wood

Class III:

Class III: Easily ignitable fibers or flyings may be present

UL 844:

Electric lighting fixtures for use in hazardous (classified) locations

UL 1598:

Electric lighting fixtures for use in non-hazardous locations

CONSTRUCTION

Cold Weather Starting

The minimum starting temperature is -40°C (-40°F)

Maximum Ambient Temperature

MODEL#	T CODE
HAZBAYLED100CF	AMBIENT TEMP RANGE: -40°C(-40°F) to 40°C(104°F) T CODE: T6
HAZBAYLED150CF	AMBIENT TEMP RANGE: -40°C(-40°F) to 50°C(122°F) T CODE: T6
HAZBAYLED150CF/480 HAZBAYLED200CF/480 HAZBAYLED300CF/480	AMBIENT TEMP RANGE: -40°C(-40°F) to 50°C(122°F) T CODE: T5
HAZBAYLED200CF HAZBAYLED300CF	AMBIENT TEMP RANGE: -40°C(-40°F) to 55°C(131°F) T CODE: T4A

Cold Weather Starting for Emergency Battery

The minimum starting temperature is -0°C (32°F)

Maximum Ambient Temperature for Emergency Battery

MODEL#	T CODE
HAZBAYLED100CF/E	AMBIENT TEMP RANGE: 0°C (32°F) to 40°C(104°F) T CODE: T6
HAZBAYLED150CF/E	AMBIENT TEMP RANGE: 0°C (32°F) to 40°C(104°F) T CODE: T5
HAZBAYLED200CF/E	TBD
HAZBAYLED300CF/E	TBD

Mounting

All models come standard with three mounting options—pendant mount (pendant by others), chain mount, and a yoke bracket for surface mount. A separate kit is available for ceiling mount.

Housing

Aluminum

Lens:

Clear glass standard. Frosted glass option available.

Gasket

Silicone

Green Technology

Mercury and UV free. RoHs-compliant components.

Finish

Formulated for high durability and long lasting color

HAZBAYLED Hazardous Locations High Bay

TECHNICAL SPECIFICATIONS

ELECTRICAL (CONTINUED)

Drivers:

Constant Current, Class 2, Class P, 120-277V, 50/60 Hz

100W: 120V: 0.81A, 208V: 0.48A, 240V: 0.42A, 277V: 0.36A

150W: 120V: 1.29A, 208V: 0.72A, 240V: 0.63A, 277V: 0.56A

200W: 120V: 1.63A, 208V: 0.96A, 240V: 0.83A, 277V: 0.73A

300W: 120V: 2.49A, 208V: 1.44A, 240V: 1.25A, 277V: 1.17A

Constant Current, Class 2, Class P, 480V, 50/60 Hz

150W: 480V: 0.32A

200W: 480V: 0.44A

300W: 480V: 0.63A

Dimming Driver:

Driver includes dimming control wiring for 0-10V dimming systems.

Requires separate 0-10V DC dimming circuit. Dims down to 10%.

THD:

MODEL	THD @120V	THD @277V	THD @480V
CLEAR FLAT LENS			
HAZBAYLED100CF	2.3%	6.7%	N/A
HAZBAYLED150CF	5.8%	8.7%	13.7%
HAZBAYLED200CF	2.9%	5.4%	9.6%
HAZBAYLED300CF	4.8%	4.5%	14.8%
FROSTED FLAT LENS			
HAZBAYLED100FF	2.6%	7.2%	N/A
HAZBAYLED150FF	5.9%	8.9%	13.8%
HAZBAYLED200FF	3.0%	5.5%	10.0%
HAZBAYLED300FF	4.8%	4.6%	14.3%
MODEL W/WIREGUARD			
CLEAR FLAT LENS			
HAZBAYLED100CF-WG	2.5%	7.0%	N/A
HAZBAYLED150CF-WG	5.7%	8.2%	13.7%
HAZBAYLED200CF-WG	2.8%	5.4%	10.6%
HAZBAYLED300CF-WG	5.2%	4.5%	14.1%
FROSTED FLAT LENS			
HAZBAYLED100FF-WG	2.7%	7.5%	N/A
HAZBAYLED150FF-WG	5.9%	8.5%	14.0%
HAZBAYLED200FF-WG	2.8%	5.4%	9.8%
HAZBAYLED300FF-WG	5.1%	4.6%	14.3%

ELECTRICAL (CONTINUED)

Power Factor:

MODEL	PF @120V	PF @277V	PF @480V
CLEAR FLAT LENS			
HAZBAYLED100CF	99.9%	94.8%	
HAZBAYLED150CF	99.8%	97.5%	95.0%
HAZBAYLED200CF	99.9%	94.7%	92.9%
HAZBAYLED300CF	99.7%	89.4%	94.6%
FROSTED FLAT LENS			
HAZBAYLED100FF	99.9%	94.8%	
HAZBAYLED150FF	99.8%	97.5%	94.9%
HAZBAYLED200FF	99.9%	94.7%	93.0%
HAZBAYLED300FF	99.7%	89.3%	94.6%
MODEL W/WIREGUARD			
CLEAR FLAT LENS			
HAZBAYLED100CF-WG	99.9%	94.8%	
HAZBAYLED150CF-WG	99.8%	97.6%	95.0%
HAZBAYLED200CF-WG	99.9%	94.8%	92.9%
HAZBAYLED300CF-WG	99.6%	89.3%	94.7%
FROSTED FLAT LENS			
HAZBAYLED100FF-WG	99.8%	94.8%	
HAZBAYLED150FF-WG	99.8%	97.5%	94.9%
HAZBAYLED200FF-WG	99.9%	94.7%	93.0%
HAZBAYLED300FF-WG	99.6%	89.3%	94.7%

OTHER

Buy American Act Compliance:

RAB values USA manufacturing! Upon request, RAB may be able to manufacture this product to be compliant with the BUY American Act (BAA). Please contact customer service to request a quote for the product to be made BAA compliant.

Warranty

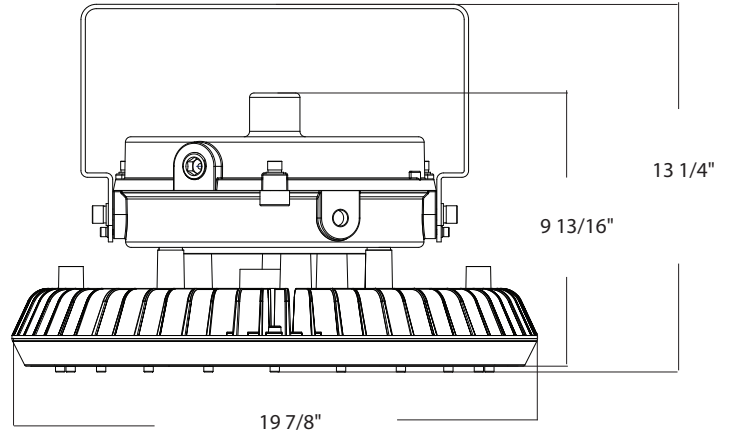
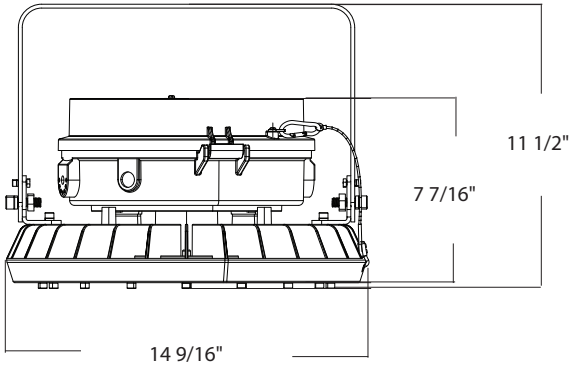
The RAB 5-year, no-compromise warranty covers light output, color stability, driver performance, paint finish and labor. RAB's warranty is subject to all terms and conditions found at rablighting.com/warranty.

HAZBAYLED Hazardous Locations High Bay

DIMENSIONS

HAZBAYLED 100W, 150W, 200W

HAZBAYLED 300W



MODEL	WEIGHT	MODEL W/ BATTERY BACKUP	WEIGHT
100W	25.4 lbs	100W	28.8 lbs
150W	25.4 lbs	150W	28.8 lbs
200W	25.4 lbs	200W	28.8 lbs
300W	46.3 lbs	300W	49.0 lbs

ACCESSORIES

HAZBAYLED-WG1:

Wireguard for HAZBAYLED 100W, 150W & 200W

UPC: 192552035866

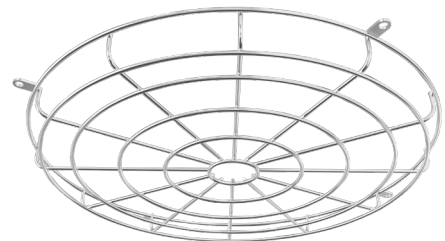
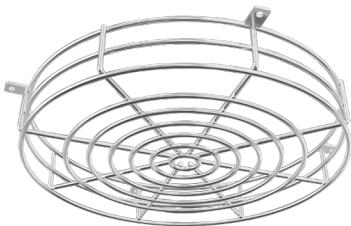
Weight: 1.43 lbs

HAZBAYLED-WG2:

Wireguard for HAZBAYLED 300W

UPC: 192552035873

Weight: 1.43 lbs



HAZBAYLED Hazardous Locations High Bay

PERFORMANCE

CLEAR LENS

HAZBAYLED	5000K	5000K	5000K	5000K
WATTAGE	100W	150W	200W	300W
INPUT WATTS	97.6W	154.3W	195W	297.8W
LUMENS	15,578	23,709	29,729	49,377
EFFICACY (LM/W)	159.6	153.7	152.5	165.8
CRI	80	80	80	80
VOLTAGE RATINGS	120-277V			

FROSTED LENS

HAZBAYLED	5000K	5000K	5000K	5000K
WATTAGE	100W	150W	200W	300W
INPUT WATTS	97.6W	155.2W	194.5W	296.9W
LUMENS	12,243	18,745	23,322	39,338
EFFICACY (LM/W)	125.4	120.8	119.9	132.5
CRI	78	78	78	79
VOLTAGE RATINGS	120-277V			

CLEAR LENS W/WIREGUARD

HAZBAYLED	5000K	5000K	5000K	5000K
WATTAGE	100W	150W	200W	300W
INPUT WATTS	97.4W	154.8W	194.4W	298W
LUMENS	12,585	19,221	24,025	43,322
EFFICACY (LM/W)	129.2	124.2	123.6	145.4
CRI	80	80	80	80
VOLTAGE RATINGS	120-277V			

FROSTED LENS W/WIREGUARD

HAZBAYLED	5000K	5000K	5000K	5000K
WATTAGE	100W	150W	200W	300W
INPUT WATTS	97.4W	153W	194.1W	296.7W
LUMENS	9,803	14,899	18,645	34,252
EFFICACY (LM/W)	100.6	96.8	96.1	115.4
CRI	78	78	78	79
VOLTAGE RATINGS	120-277V			

CLEAR LENS

HAZBAYLED	5000K	5000K	5000K
WATTAGE	150W	200W	300W
INPUT WATTS	144.4W	194.2W	284.4W
LUMENS	22,494	29,992	46,857
EFFICACY (LM/W)	155.8	154.4	164.8
CRI	80	80	80
VOLTAGE RATINGS	480V		

FROSTED LENS

HAZBAYLED	5000K	5000K	5000K
WATTAGE	150W	200W	300W
INPUT WATTS	144.3W	193.9W	284.2W
LUMENS	17,713	23,567	37,568
EFFICACY (LM/W)	122.8	121.5	132.0
CRI	78	78	78
VOLTAGE RATINGS	480V		

CLEAR LENS W/WIREGUARD

HAZBAYLED	5000K	5000K	5000K
WATTAGE	150W	200W	300W
INPUT WATTS	144.1W	193.5W	284.7W
LUMENS	18,176	24,189	41,245
EFFICACY (LM/W)	126.1	125.0	144.9
CRI	80	80	80
VOLTAGE RATINGS	480V		

FROSTED LENS W/WIREGUARD

HAZBAYLED	5000K	5000K	5000K
WATTAGE	150W	200W	300W
INPUT WATTS	143.8W	193.7W	285.4W
LUMENS	14,147	18,818	32,910
EFFICACY (LM/W)	98.4	97.2	115.3
CRI	78	78	78
VOLTAGE RATINGS	480V		

ORDERING MATRIX

HAZBAYLED

Family	Wattage (SIZE)	Color Temp	Mount	Finish	Lens/Globe	Voltage	Options	
HAZBAYLED	-							
	100 150 200 300	100W (M) 150W (M) 200W (M) 300W (L)	BLANK 5000K	BLANK Surface/Pendant	BLANK Gray	CF FF Clear Flat Lens Frosted Flat Lens	BLANK 120-277V, 0-10V Dimming 480V, 0-10V Dimming /480 *	BLANK /E No options Battery backup

* 480V available for 150W, 200W & 300W models only