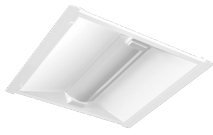


RTLED Field-Adjustable Troffer



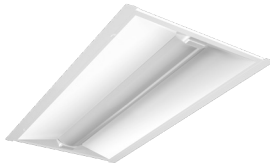
RTLED2X2



RTLED1X4



RTLED2X4



PROJECT:

DATE:

TYPE:

PREPARED BY:



KEY FEATURES

- Three different sizes & field-adjustable power:
2'X2': 30/25/18W (Factory default 30W)
1'X4': 30/25/18W (Factory default 30W)
2'X4': 35/30/25W (Factory default 35W)
- Field-adjustable CCT: 3500/4000/5000K (factory default:4000K)
- Voltage rating: 120-277V
- Includes a sensor port to easily install standard or light cloud blue enabled PIR/MVS sensors. Multi-sensor remote sold separately.
- Battery backup available
- 5-year, limited warranty
- Suitable for damp locations

RTLED Troffer - Field Adjustable



TECHNICAL SPECIFICATIONS

COMPLIANCE

UL Listed

Suitable for damp locations

DLC Listed

This product is listed by Design Lights Consortium (DLC) as an ultra-efficient premium product that qualifies for the highest tier of rebates from DLC Member Utilities. Designed to meet DLC 5.1 requirements.

MODEL#	PRODUCT ID
RTLED2X2	S-R1K8K
RTLED1X4	S-SM9GEZ
RTLED2X4	S-QOHE9L

LED CHARACTERISTICS

LEDs

Long-life, high-efficacy, discrete, surface-mount LEDs

Color Stability

LED color temperature is warranted to shift no more than 200K in color temperature over a 5-year period

FIELD-ADJUSTABILITY

Field-Adjustable:

2'X2': 30W/25W/18W (factory default 30W)

1'X4': 30W/25W/18W (factory default 30W)

2'X4': 35W/30W/25W (factory default: 35W)

Color temperature: 3500/4000/5000K (factory default 4000K)

CONSTRUCTION

Cold Weather Starting

Minimum starting temperature is -20°C (-4°F)

Maximum Ambient Temperature

Suitable for use in up to 40°C (104°F)

Cold Weather Starting for E

Minimum starting temperature is 0°C (32°F)

Maximum Ambient Temperature

Suitable for use in up to 40°C (104°F)

Mounting

Retrofits into the existing housing

Lens

Polycarbonate

Housing / Finish

Steel sheet metal

Green Technology

Mercury and UV free. RoHs-compliant components

Finish

Formulated for high durability and long lasting color

TECHNICAL SPECIFICATIONS (CONTINUED)

ELECTRICAL

Drivers:

Class 2, Constant Current, 120-277V, 50/60Hz

35W: 120V: 0.30A, 208V: 0.17A, 240V: 0.15A, 277V: 0.13A

30W: 120V: 0.25A, 208V: 0.15A, 240V: 0.13A, 277V: 0.12A

25W: 120V: 0.21A, 208V: 0.12A, 240V: 0.10A, 277V: 0.10A

18W: 120V: 0.15A, 208V: 0.09A, 240V: 0.08A, 277V: 0.07A

Dimming Driver:

Driver includes dimming control wiring for 0-10V dimming systems.

Requires separate 0-10V DC dimming circuit. Dims down to 10%

Surge Protection:

2.5kV

THD: (Factory default)

2'X2': 3.41% at 120V, 4.37% at 277V

1'X4': 3.43% at 120V, 4.22% at 277V

2'X4': 2.87% at 120V, 3.07% at 277V

Power Factor: (Factory default)

2'X2': 99.7% at 120V, 96.4% at 277V

1'X4': 99.6% at 120V, 96% at 277V

2'X4': 99.7% at 120V, 94.3% at 277V

Battery Backup:

Battery backup will operate the LED Lamp for 90 minutes if power falls.

Wired for 120-277V.

Battery Backup Light Loss Factor:

2'X2': 0.32

1'X4': 0.32

2'X4': 0.28

MICROWAVE OCCUPANCY SENSOR (OPTIONAL)

- Technology: Microwave Sensor
- Microwave Frequency: 5.8GHz +/-7.5MHz
- Maximum Mounting Height: 13.1 feet
- Maximum Detection Range: 26.2 feet diameter at 13.1 feet height

Uncommissioned state parameters

- Motion Sensor Status: Enabled
- Motion sensitivity : High(100% range)
- Brightness when triggered: 100%
- Hold time: 1Minute
- Daylight: disabled by default

Commissioned state parameters

(Once paired to Lightcloud Blue App)

- Motion Sensor Status: Disabled
(Can be enabled via App)
- Motion sensitivity : High(100% range)
(Can be adjusted to Medium and Low)
- Brightness when triggered: Last On status
(Can also be adjusted to certain dim level)
- Hold time: 20 Minutes
(Can be adjusted from 1 minutes to 240 minutes)
- When Vacant: Off
(Can be adjusted to certain dim level)
- Daylight: disabled by default

LIGHTCLOUD CONTROLLER (OPTIONAL)

Lightcloud Blue Low Voltage Controller and Related Sensor Installed:

Integrated/embedded networked lighting control, luminaire-level lighting control. Fixture, Zone, and plug-load control from one powerful device. LLLC -capable of switching, 0-10Vdimming, power/energy monitoring. Can also be used to extend the range of the Lightcloud Blue utilizes a "BLE Mesh" network communication protocols. Offers the capability to set the maximum light output to a less-than-maximum state of an individual luminaire at the time of installation or commissioning. The High-End trim functionality is field reconfigurable via the Lightcloud "BLE Mesh" network communication protocols. The Lightcloud Blue controller is designed to be attached to the fixture directly.

DLC system - N1XMLOEATBA

PERFORMANCE

Lifespan

100,000-hour LED lifespan based on IES LM-80 results and TM-21 calculations


WARRANTY

The RAB 5-year, limited warranty covers light output, driver performance, paint finish and labor. RAB's warranty is subject to all terms and conditions found at rablighting.com/warranty.

RTLED Field-Adjustable Troffer



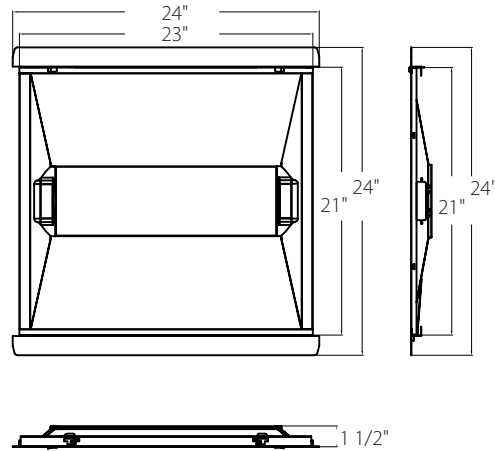
ACCESSORIES (to be ordered separately)

Image	SKU#	UPC	Description
	MSR1	192552026055	MULTI SENSOR REMOTE IP20

DIMENSIONS

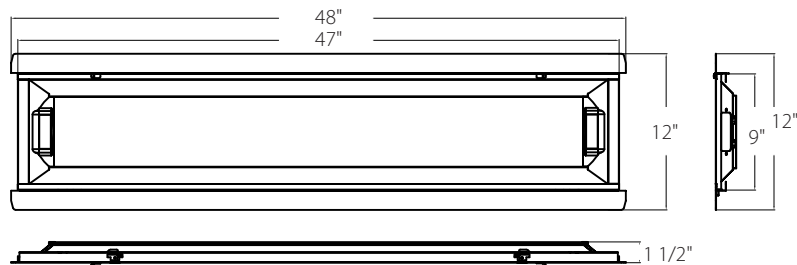
RTLED2X2

Weight: 7.3 Lbs



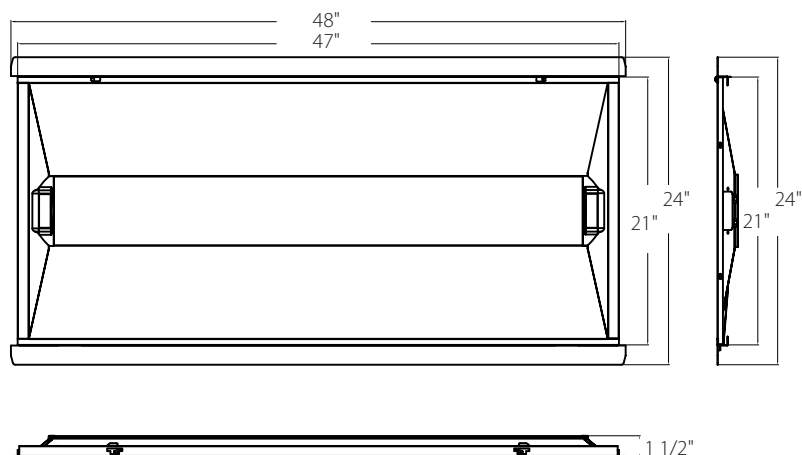
RTLED1X4

Weight: 8.5 Lbs



RTLED2X4

Weight: 13.1 Lbs



RTLED Field-Adjustable Troffer



PERFORMANCE

RTLED2X2	3500K	4000K	5000K	3500K	4000K	5000K	3500K	4000K	5000K
WATTAGE	30W			25W			18W		
INPUT WATTS	28.5W	27.6W	28.6W	25.1W	24.1W	25.1W	17.7W	17W	17.7W
LUMENS	3,583	3,814	3,635	3,193	3,357	3,257	2,293	2,343	2,311
EFFICACY	125.7	138.1	127.2	127.2	138.1	129.8	129.5	137.6	130.6
CRI	84	85	85						
VOLTAGE RATINGS	120-277V			120-277V			120-277V		

RTLED1X4	3500K	4000K	5000K	3500K	4000K	5000K	3500K	4000K	5000K
WATTAGE	30W			25W			18W		
INPUT WATTS	30.1W	29.2W	30W	25.6W	24.7W	25.4W	18.6W	17.9W	18.5W
LUMENS	3,852	4,156	4,005	3,332	3,551	3,424	2,438	2,588	2,515
EFFICACY	128	142.4	133.5	130.2	143.7	134.8	131.1	144.5	135.9
CRI	85	85	85						
VOLTAGE RATINGS	120-277V			120-277V			120-277V		

RTLED2X4	3500K	4000K	5000K	3500K	4000K	5000K	3500K	4000K	5000K
WATTAGE	35W			30W			25W		
INPUT WATTS	35.5W	33.8W	35.5W	30.3W	29.2W	30.7W	25.3W	24.4W	25.4W
LUMENS	4,726	4,955	4,909	4,075	4,300	4,267	3,435	3,658	3,601
EFFICACY	133.2	146.4	138.3	134.5	147.2	138.5	135.7	149.8	141.5
CRI	85	84	85						
VOLTAGE RATINGS	120-277V			120-277V			120-277V		

ORDERING MATRIX

RTLED Field-adjustable Troffer

Family	Size/Wattages	Color Temperature	Finish	Voltage	Options
RTLED					
2X2	2' x 2' (30/25/18W) Field-adjustable	Blank 3500/4000/5000K Field-adjustable	Blank White	Blank 120-277V 0-10V dimming	Blank /E /LCB /LCBS /MVS /LCB/E /LCBS/E /MVS/E /LCBS /LCBS/MVS No Option Battery Backup Lightcloud Blue Controller Lightcloud Blue Sensor Microwave Occupancy Sensor Lightcloud Blue Controller w/ Battery Backup Lightcloud Blue Sensor w/ Battery Backup Microwave Occupancy Sensor w/ Battery Backup Lightcloud Blue passive Infrared Sensor Lightcloud Blue passive Infrared Sensor w/ Battery Backup
1X4	1' x 4' (30/25/18W) Field-adjustable				
2X4	2' x 4' (35/30/25W) Field-adjustable				