

FFLED Field-Adjustable Floodlights



FFLEDXS / FFLEDS



FFLEDM



FFLEDL



Field-Adjustable floodlight



0-10V



100,000 HOURS



WET RATED



IP RATING



FIELD ADJUSTABLE

PROJECT:

DATE:

TYPE:

PREPARED BY:



KEY FEATURES

- * Available in following different selectable wattages:
FFLEDXS: **18/13/9W**
FFLEDS: **39/26/18W**
FFLEDM: **80/52W**
FFLEDM: **230/180/120W**
- * CCT: **3000K** or selectable **4000K/5000K**
- * **Knuckle** mount on FFLEDXS, FFLEDS and FFLEDM fixtures
- * **Slipfitter** and **Trunnion** available on FFLEDM and FFLEDL fixtures
- * Available in **bronze** and **white** finish
- * UL listed for **wet location**
- * **IP66** listed
- * **0-10V** dimmable

TECHNICAL SPECIFICATIONS

COMPLIANCE

UL Listed

Suitable for wet locations. Suitable for mounting within 1.2m (4ft) of the ground.

DLC Listed

This product is listed by Design Lights Consortium (DLC) as an ultra-efficient premium product that qualifies for the highest tier of rebates from DLC Member Utilities. Designed to meet DLC 5.1 requirements.

IP Rating

Ingress protection rating of IP66 for dust and water

IESNA LM-79 & LM-80 Testing:

RAB LED luminaires and LED components have been tested by an independent laboratory in accordance with IESNA LM-79 and LM-80.

LED CHARACTERISTICS

LEDs

Long-life, high-efficacy, surface-mount LEDs

Color Uniformity

RAB's range of Correlated Color Temperature follows the guidelines of the American National Standards for Specifications for the Chromaticity of Solid State Lighting (SLL) Products, ANSI C78.377-2017.

Color Consistency

7-step MacAdam Ellipse binning to achieve consistent fixture-to-fixture color.

PERFORMANCE

Lifespan

100,000-hour LED lifespan based on IES LM-80 results and TM-21 calculations

CONSTRUCTION

Cold Weather Starting

Minimum starting temperature is -40°C (-40°F)

Maximum Ambient Temperature

Suitable for use in up to 40°C (104°F)

Housing

Die-cast aluminum

Mounting

FFLEDXS/FFLEDS: Knuckle
FFLEDM: Knuckle, Slipfitter, Trunnion
FFLEDL: Slipfitter, Trunnion

Tilt increment

Slipfitter: 5°
Trunnion: 30°

Lens

Ultra-clear tempered glass

Reflector

Vacuum metalized polycarbonate

Gaskets

High-temperature silicone

Green Technology

Mercury and UV free. RoHs-compliant components.

Finish

Formulated for high durability and long lasting color. Available in bronze & white finish.

IP Rating

Ingress protection of IP66 for dust and water

FFLED Field-Adjustable Floodlights



TECHNICAL SPECIFICATIONS (CONTINUED)

ELECTRICAL

Drivers:

Constant Current, Class 2, 120-277V, 50/60 Hz

Constant Current, Class 1, 480V, 50/60 Hz

FFLEDXS @ 5000K/4000K

9W: 120V: 0.15A, 208V: 0.09A, 240V: 0.08A, 277V: 0.07A

13W: 120V: 0.25A, 208V: 0.14A, 240V: 0.13A, 277V: 0.11A

18W: 120V: 0.38A, 208V: 0.22A, 240V: 0.19A, 277V: 0.17A

FFLEDS @ 5000K/4000K

18W: 120V: 0.15A, 208V: 0.09A, 240V: 0.08A, 277V: 0.07A

26W: 120V: 0.25A, 208V: 0.14A, 240V: 0.13A, 277V: 0.11A

39W: 120V: 0.38A, 208V: 0.22A, 240V: 0.19A, 277V: 0.17A

FFLEDM @ 5000K/4000K

52W: 120V: 0.44A, 208V: 0.25A, 240V: 0.22A, 277V: 0.19A

80W: 120V: 0.67A, 208V: 0.39A, 240V: 0.34A, 277V: 0.29A

FFLEDL @ 5000K/4000K

120W: 120V: 1.00A, 208V: 0.58A, 240V: 0.50A, 277V: 0.44A

180W: 120V: 1.50A, 208V: 0.87A, 240V: 0.75A, 277V: 0.65A

250W: 120V: 2.10A, 208V: 1.20A, 240V: 1.10A, 277V: 0.91A

FFLEDL @ 480V

120W: 480V: 0.26A

180W: 480V: 0.39A

250W: 480V: 0.55A

Surge Protection

FFLEDXS / FFLEDS: 4kV

FFLEDM: 6kV

FFLEDL: 6kV

Dimming Driver:

Driver includes dimming control wiring for 0-10V dimming systems. Requires separate 0-10V DC dimming circuit. Dims down to 10%.

Note: All values are typical (tolerance +/- 10%)

OPTICAL

NEMA Type:

NEMA Beam Spread of 7H x 6V

OTHER

Warranty

RAB warrants that our LED products will be free from defects in materials and workmanship for a period of ten (10) years from the date of delivery to the end user, including coverage of light output, color stability, driver performance and fixture finish. RAB's warranty is subject to all terms and conditions found at rablighting.com/warranty.

Buy American Act Compliance:

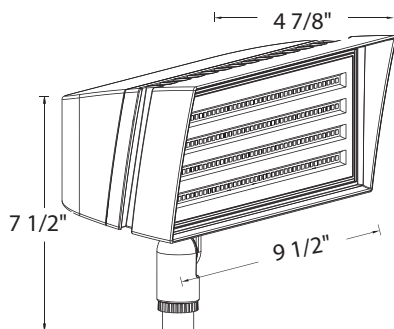
RAB values USA manufacturing! Upon request, RAB may be able to manufacture this product to be compliant with the BUY American Act (BAA). Please contact customer service to request a quote for the product to be made BAA compliant.

DIMENSIONS

FFLEDXS : 18W/13W/9W

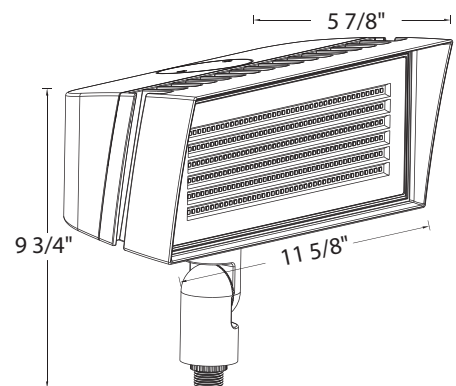
FFLEDS : 18W/26W/39W

Weight 5.3 lbs



FFLEDM : 52W/80W

Weight 9.7 lbs



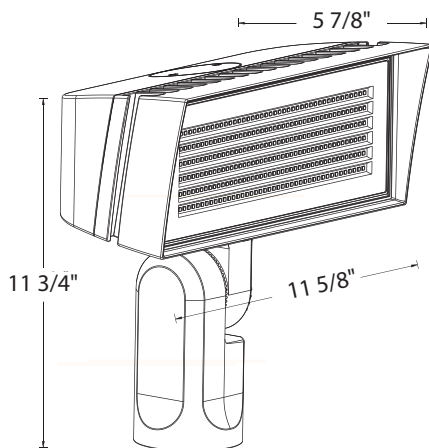
FFLED Field-Adjustable Floodlights



DIMENSIONS (CONTINUED)

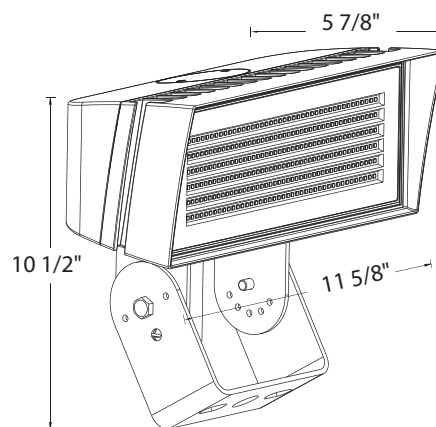
FFLEDMSF : 52W/80W

Weight 11 lbs



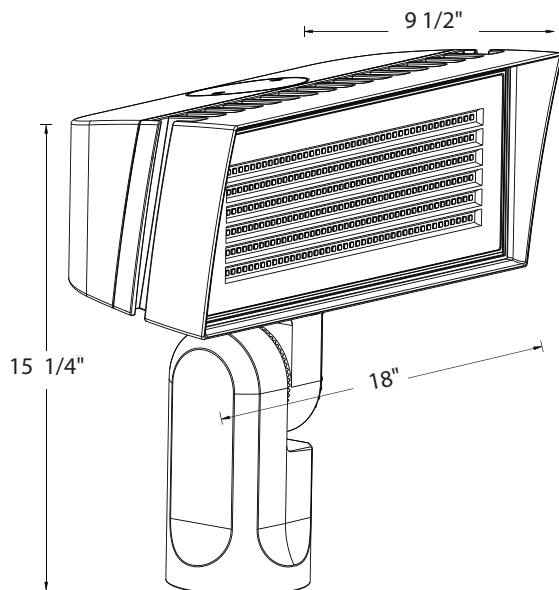
FFLEDMT : 52W/80W

Weight 12.3 lbs



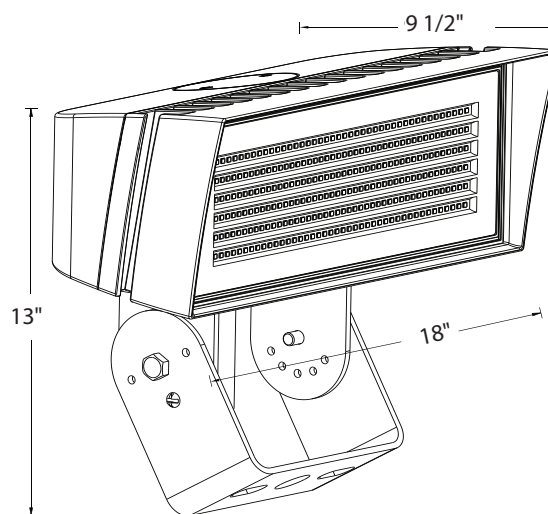
FFLEDLSF : 120W/180W/230W

Weight 27.5 lbs



FFLEDLT : 120W/180W/230W

Weight 27.9 lbs



PERFORMANCE

FFLEDXS	5000K	4000K	3000K	5000K	4000K	3000K	5000K	4000K	3000K
Wattage	18W	18W	18W	13W	13W	13W	9W	9W	9W
Input Watts	17.2W	17.2	17.5W	12.8W	12.8W	13W	9.1W	9.1W	9.2W
Lumens	2500	2488	2495	1856	1844	1862	1279	1272	1289
Lm/W	145.3	144.6	142.6	145	144.1	143.2	140.5	139.8	140.1
CRI	84	83	82	84	83	82	84	83	83
Voltage Ratings	120-277V			120-277V			120-277V		

FFLED Field-Adjustable Floodlights



PERFORMANCE (CONTINUED)

FFLEDS	5000K	4000K	3000K	5000K	4000K	3000K	5000K	4000K	3000K
Wattage	39W	39W	39W	26W	26W	26W	18W	18W	18W
Input Watts	46W	46.4W	47W	31.2W	31.2W	32W	18W	18W	18.4W
Lumens	6,243	6,241	6,048	4,464	4,461	4,257	2,615	2,619	2,515
Lm/W	135.8	134.5	128.7	142.9	142.4	133.2	145.4	145.8	136.3
CRI	82	82	82	82	82	82	82	83	82
Voltage Ratings	120-277V			120-277V			120-277V		

FFLEDM	5000K	4000K	3000K	5000K	4000K	3000K
Wattage	80W	80W	80W	52W	52W	52W
Input Watts	75.9W	77W	76W	56.4W	57.5W	55.8W
Lumens	10,813	10,440	9,758	8,290	8,138	7,467
Lm/W	142.4	135.5	128.5	147.0	141.5	133.8
CRI	82	82	82	82	82	82
Voltage Ratings	120-277V			120-277V		

FFLEDL	5000K	4000K	3000K	5000K	4000K	3000K	5000K	4000K	3000K
Wattage	230W	230W	230W	180W	180W	180W	120W	120W	120W
Input Watts	259.3W	260.5W	259.7W	193.7W	193.4W	189.9W	117.9W	117.5W	115.5W
Lumens	38,662	38,160	36,140	29,973	29,444	27,705	19,048	18,739	17,411
Lm/W	149.1	146.5	139.2	154.7	152.2	145.9	161.6	159.5	150.8
CRI	82	82	82	82	82	82	82	83	83
Voltage Ratings	120-277V			120-277V			120-277V		

FFLEDL	5000K	4000K	3000K	5000K	4000K	3000K	5000K	4000K	3000K
Wattage	230W	230W	230W	180W	180W	180W	120W	120W	120W
Input Watts	252.8W	253.6W	253.9W	169.7W	171.9W	170W	105.4W	106.4W	105.7W
Lumens	39,017	37,983	36,371	27,233	26,913	25,291	17,252	17,066	15,978
Lm/W	154.3	149.8	143.2	160.5	156.5	148.8	163.7	160.4	151.2
CRI	84	82	82	81	83	82	82	83	83
Voltage Ratings	480V			480V			480V		

ORDERING MATRIX

FFLED

Family	Housing Size	Color Temperature	Mounting	Finish	Voltage	Options
FFLED	<input type="text"/>	<input type="text"/>	<input type="text"/>	<input type="text"/>	<input type="text"/>	<input type="text"/>
X	Selectable (18/13/9W)	BLANK FA 5000K/4000K	BLANK Knuckle Mount ¹	BLANK Bronze	BLANK 120-277V	BLANK No Option
S	Selectable (39/26/18W)	Y 3000K	SF Slipfitter ²	W White	/480 480V ³	/7PR 7 Pin Receptacle ²
M	Selectable (80/52W)		T Trunnion ²			/PCU Universal Button Photocell ¹
L	Selectable (230/180/120W)					

¹ Available only for FFLEDXS, FFLEDS & FFLEDM

² Available only for FFLEDM & FFLEDL

³ Available only for FFLEDL