

# VAN17, 3-Way Adjustable Canopy Light



VAN17 (8" x 8")



PROJECT:

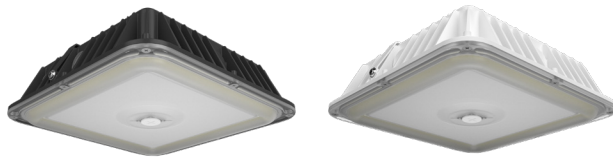
DATE:

TYPE:

PREPARED BY:



VAN17 (10" x 10")



## KEY FEATURES

- 3-way adjustable, high-efficacy, low profile canopy light
- 18 fixtures in 1
- Field-adjustable CCT (3000K/4000K/5000K)
- Available sizes / wattages:  
VAN17-30 (8" x 8"): 30/25/20W  
VAN17-50 (8" x 8"): 50/40/30W  
VAN17-60 (10" x 10"): 60/50/40W  
VAN17-90 (10" x 10"): 90/80/70W
- Built-in on/off photocell
- Screw-in sensor accessories offered
- Integrated expansion port for use with motion sensors or lightcloud blue
- Impact-resistant, vandal-resistant
- Ideal for canopy applications
- Suitable for parking garages
- Battery backup option available
- 0-10V dimming standard
- UL listed for wet locations
- 5-year, limited warranty

## 3-Way adjustable, ultra-economy canopy light



## TECHNICAL SPECIFICATIONS

### COMPLIANCE

#### UL Listed

UL listed for wet locations

#### IP Rating

Ingress protection rating of IP65 for dust and water

#### DLC Listed

This product is listed by Design Lights Consortium (DLC) as an ultra-efficient premium product that qualifies for the highest tier of rebates from DLC Member Utilities. Designed to meet DLC 5.1 requirements.

Model#	DLC Product ID	
	Stairwell & Passageway Luminaires	Parking Garage Luminaires
VAN17-30	S-81S9D4	S-FZWKWK
VAN17-50	S-SHXSDQ	S-FN8SQ4
VAN17-60	S-KHC8R2	S-HMZ62Z
VAN17-90	S-MK2SMR	S-J6MK6Y

### LED CHARACTERISTICS

#### LEDs

Long-life, high-efficacy, surface-mount LEDs

### CONSTRUCTION

#### Cold Weather starting

Minimum starting temperature is -40°C (-40°F)

#### Maximum Ambient Temperature

Suitable for use in up to 50°C (122°F)

#### Cold Weather starting for Battery Backup

Minimum starting temperature is 0°C (32°F)

#### Maximum Ambient Temperature for Battery Backup

Suitable for use in up to 40°C (104°F)

#### Housing

Precision die-cast aluminum housing and door frame

#### Mounting

Retrofit mounting plates for ceiling mounting

#### Lens

Vandal-resistant polycarbonate textured opaque for low-glare lens

#### Reflector

Plastic

#### Green Technology

Mercury and UV free. RoHS-compliant components.

#### Finish

Formulated for high durability and long lasting color

# VAN17, 3-Way Adjustable Canopy Light



## TECHNICAL SPECIFICATIONS

### FIELD ADJUSTABLE

**Color temperature:** Selectable by 3000K, 4000K and 5000K (factory default 4000K)

**Selectable wattages:**

VAN17-30 (8" x 8"): 30/25/20W (factory default: 30W)

VAN17-50 (8" x 8"): 50/40/30W (factory default: 50W)

VAN17-60 (10" x 10"): 60/50/40W (factory default: 60W)

VAN17-90 (10" x 10"): 90/80/70W (factory default: 90W)

**On/Off Photocell:** Factory default: Off

### ELECTRICAL

**Drivers:**

Constant Current, Class 2, 120-277V, 50/60 Hz

**VAN17-30:**

**30W:** 120V: 0.25A, 208V: 0.15A, 240V: 0.13A, 277V: 0.10A

**25W:** 120V: 0.21A, 208V: 0.12A, 240V: 0.10A, 277V: 0.09A

**20W:** 120V: 0.17A, 208V: 0.10A, 240V: 0.08A, 277V: 0.07A

**VAN17-50:**

**50W:** 120V: 0.42A, 208V: 0.25A, 240V: 0.21A, 277V: 0.18A

**40W:** 120V: 0.33A, 208V: 0.19A, 240V: 0.17A, 277V: 0.14A

**30W:** 120V: 0.25A, 208V: 0.14A, 240V: 0.13A, 277V: 0.11A

**VAN17-60:**

**60W:** 120V: 0.50A, 208V: 0.29A, 240V: 0.25A, 277V: 0.22A

**50W:** 120V: 0.42A, 208V: 0.24A, 240V: 0.20A, 277V: 0.18A

**40W:** 120V: 0.33A, 208V: 0.19A, 240V: 0.17A, 277V: 0.14A

**VAN17-90:**

**90W:** 120V: 0.75A, 208V: 0.43A, 240V: 0.38A, 277V: 0.32A

**80W:** 120V: 0.67A, 208V: 0.38A, 240V: 0.33A, 277V: 0.29A

**70W:** 120V: 0.58A, 208V: 0.34A, 240V: 0.29A, 277V: 0.25A

**Dimming Driver:**

Driver includes dimming control wiring for 0-10V dimming systems.

Requires separate 0-10V DC dimming circuit. Dims down to 10%.

**Battery Backup:**

Battery backup will operate the fixture 90 minutes if power fails. Wired for 120-277V

**Photocell**

120-277V compatible, Integrated Button Photocell included.

**Note**

All values are typical (tolerance +/- 10%)

### PERFORMANCE

**Lifespan**

100,000-hour LED lifespan based on IES LM-80 results and TM-21 calculations

### LIGHTCLOUD BLUE (ACCESSORIES)

**Lightcloud Blue-enabled:**

Lightcloud Blue (LCB) is a Bluetooth Mesh wireless lighting control system that allows you to control RAB's various compatible devices. With RAB's patented Rapid Provisioning technology, devices can be quickly and easily commissioned for residential and large commercial applications using the Lightcloud Blue mobile app. Each device in a system can communicate with any other device, eliminating the need for a Gateway or Hub and maximizing the control system's reach.

DLC system - N1XMLOEATBA (Interior); NHCZ2BIA17L (Exterior)

Learn more at [www.lightcloud.com](http://www.lightcloud.com)

### OCCUPANCY SENSORS(ACCESSORIES)

Sensor Type: Passive Infrared (PIR) or Microwave (MVS)

Input Voltage: 12VDC

Operating Frequency: 50/60Hz

Input Current: 30mA

Operating Temperature: -40°F to 140°F (-20°C to 60°C)

Max Mounting Height: 40 ft. (PIR); 50 ft. (MVS)

Detection Range: PIR: 40 ft. diameter mounted at 40 ft. (/PIR & /LCBS); MVS: 50 ft. diameter mounted at 50 ft. (/MVS & /LCBS/MVS); PIR20[B]/[LCB] and MVS20[B]/[LCB] 20 ft. diameter mounted at 9 ft. (sold separately)

Daylight Sensing: The sensor will determine to trigger the light(s) on or not based on the daylight threshold level set.

**Default Settings:**

Motion Sensitivity: High

Brightness when triggered : 100%

Hold time: 1 minute (20 minutes for LCB sensors)

Standby to dim: 20%

Standby time: 1 minute

When vacant: Off

**Adjustable Settings:** Settings for Lightcloud Blue-enabled sensors can be adjusted using the mobile app. All other sensors will require MSR1 Remote to adjust the following sensor settings:

Standby to dim: 10%/20%/30%/50%

Standby time: 0s/10s/30s/1min/5min/10min/30min/60min/+∞

Daylight Threshold: 2Lux/10Lux/30Lux/50Lux/80Lux/120Lux/Disable

### OTHER

**Warranty**

The RAB 5-year, limited warranty covers light output, driver performance and paint finish. RAB's warranty is subject to all terms and conditions found at [rablighting.com/warranty](http://rablighting.com/warranty).

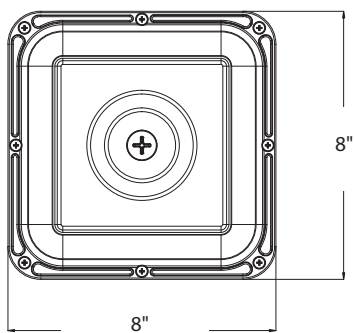
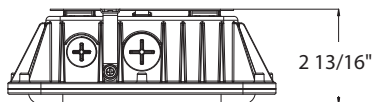
# VAN17, 3-Way Adjustable Canopy Light



## DIMENSIONS

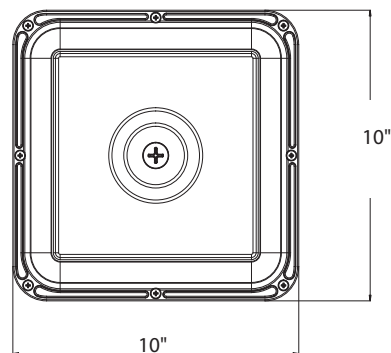
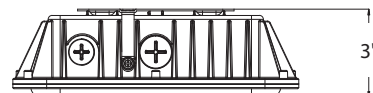
### VAN17-30 & VAN17-50

Weighs: 2.98 lbs  
3.70 lbs w/ battery backup






### VAN17-60 & VAN17-90

Weighs: 4.25 lbs  
9.37 lbs w/ battery backup



## ACCESSORIES

Image	SKU#	UPC	Description	Weight
	VAN17PLATE	192552032575	RETROPLATE FOR VAN17 MOUNTING BRONZE	1.3lbs
	VAN17PLATE-W	192552032568	RETROPLATE FOR VAN17 MOUNTING WHITE	1.32lbs
	MSR1	192552026055	MULTI SENSOR REMOTE	0.25 lb

# VAN17, 3-Way Adjustable Canopy Light



## ACCESSORIES (CONTINUED)

Image	SKU#	UPC	Description	Weight
	MVS50	192552025997	HIGH CEILING LOW VOLTAGE MVS SENSOR WHITE	0.10 lb
	MVS50B	192552042314	HIGH CEILING LOW VOLTAGE MVS SENSOR BLACK	0.10 lb
	MVS50/LCB	192552014168	LC BLUE HIGH CEILING LOW VOLT LUMINAIRE CONTROLLER W/MVS WHITE	0.14 lb
	MVS50B/LCB	192552036924	LC BLUE HIGH CEILING LOW VOLT LUMINAIRE CONTROLLER W/MVS BLACK	0.14 lb
	PIR40	192552026000	HIGH CEILING LOW VOLTAGE PIR SENSOR WHITE	0.10 lb
	PIR40B	192552042307	HIGH CEILING LOW VOLTAGE PIR SENSOR BLACK	0.10 lb
	PIR40/LCB	192552014151	LC BLUE HIGH CEILING LOW VOLT LUMINAIRE CONTROLLER W/PIR WHITE	0.12 lb
	PIR40B/LCB	192552036917	LC BLUE HIGH CEILING LOW VOLT LUMINAIRE CONTROLLER W/PIR BLACK	0.12 lb
	PIR20	192552026024	LOW CEILING LOW VOLTAGE PIR SENSOR WHITE	0.10 lb
	PIR20/LCB	192552042246	LC BLUE LOW CEILING LOW VOLT LUMINAIRE CONTROLLER WITH PIR WHITE	0.10 lb
	PIR20B	192552042284	LOW CEILING LOW VOLTAGE PIR SENSOR BLACK	0.10 lb
	PIR20B/LCB	192552042260	LC BLUE LOW CEILING LOW VOLT LUMINAIRE CONTROLLER WITH PIR BLACK	0.10 lb
	MVS20	192552026017	LOW CEILING LOW VOLTAGE MVS SENSOR WHITE	0.10 lb
	MVS20/LCB	192552042253	LC BLUE LOW CEILING LOW VOLT LUMINAIRE CONTROLLER WITH MVS WHITE	0.10 lb
	MVS20B	192552042291	LOW CEILING LOW VOLTAGE MVS SENSOR BLACK	0.10 lb
	MVS20B/LCB	192552042277	LC BLUE LOW CEILING LOW VOLT LUMINAIRE CONTROLLER WITH MVS BLACK	0.10 lb

# VAN17, 3-Way Adjustable Canopy Light



## PERFORMANCE

### VAN17: 8" x 8"

VAN17-30	3000K	4000K	5000K	3000K	4000K	5000K	3000K	4000K	5000K
WATTAGE	30W			25W			20W		
INPUT WATTS	29.8W	28.8W	29.7W	25W	24.4W	25W	20.4W	19.9W	20.4W
LUMENS	4,198	4,410	4,453	3,520	3,671	3,736	2,883	2,982	3,069
EFFICACY	140.9	153.1	149.9	140.8	150.5	149.4	141.3	149.8	150.4
CRI	82	83	81	82	83	81	82	83	81
VOLTAGE RATINGS	120-277V			120-277V			120-277V		

VAN17-50	3000K	4000K	5000K	3000K	4000K	5000K	3000K	4000K	5000K
WATTAGE	50W			40W			30W		
INPUT WATTS	49.1W	47.4W	49W	40.3W	38.8W	39.8W	30.1W	29.3W	29.9W
LUMENS	6,660	7,119	7,060	5,573	5,849	5,862	4,219	4,407	4,481
EFFICACY	135.6	150.2	144.1	138.3	150.7	147.3	140.2	150.4	149.9
CRI	81	83	80	81	83	80	82	83	81
VOLTAGE RATINGS	120-277V			120-277V			120-277V		

### VAN17: 10" x 10"

VAN17-60	3000K	4000K	5000K	3000K	4000K	5000K	3000K	4000K	5000K
WATTAGE	60W			50W			40W		
INPUT WATTS	59.9W	57.4W	59.7W	49.6W	47.8W	49.5W	40W	38.8W	40W
LUMENS	8,110	8,806	8,668	6,916	7,444	7,397	5,736	6,098	6,129
EFFICACY	135.4	153.4	145.2	139.4	155.7	149.4	143.4	157.2	153.2
CRI	82	83	81	82	83	81	82	83	81
VOLTAGE RATINGS	120-277V			120-277V			120-277V		

VAN17-90	3000K	4000K	5000K	3000K	4000K	5000K	3000K	4000K	5000K
WATTAGE	90W			80W			70W		
INPUT WATTS	88.5W	85.2W	87.5W	78.7W	76W	77.8W	69.3W	67.3W	68.7W
LUMENS	12,011	12,929	12,556	10,849	11,651	11,368	9,726	10,396	10,208
EFFICACY	135.7	151.7	143.5	137.9	153.3	146.1	140.3	154.5	148.6
CRI	83	85	83	83	85	84	83	85	84
VOLTAGE RATINGS	120-277V			120-277V			120-277V		

## ORDERING MATRIX

### VAN17

Family	Wattage/Size	Color Temperature	Finish	Voltage	Options
VAN17	-				
30	30/25/20W (8" x 8")	BLANK	3000/4000/5000K	BLANK	120-277V, 0-10V Dimming, On/Off Photocell
50	50/40/30W (8" x 8")		CCT Adjustable	BLANK	Standard
60	60/50/40W (10" x 10")			W	Bonze
90	90/80/70W (10" x 10")				White
					/E
					Battery Backup