

# A17 Ultra-Economy Area Light



## 3-Way Adjustable



PROJECT:

DATE:

TYPE:

PREPARED BY:



## KEY FEATURES

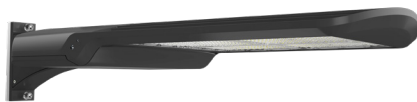
- Ultra-economy arealights with field-adjustable wattages and CCTs:  
Available wattages:  
A17-70W: 70/60/50W  
A17-100W: 100/80/60W  
A17-150W: 150/120/100W  
A17-200W: 200/180/160W  
A17-300W: 300/240/200W  
A17-375W: 375/300/240W  
A17-480W: 480/400/320W
- Adjustable CCT: 3000K/4000K/5000K
- Voltage ratings: 120-277V & 480V
- 3-way adjustable model also available:
- Selectable CCT: (3000K/4000K/5000K)
- Selectable wattages: 150W/120W/100W and 300W/240W/200W
- Selectable **photocell** that can be turned on and off
- Voltage ratings: 120-277V
- Suitable for **wet locations**

## A17 70W-150W



A17 200W-300W

## A17 480W



## TECHNICAL SPECIFICATIONS

### LED CHARACTERISTICS

#### LEDs

Long-life, high-efficacy, surface-mount LEDs

#### Color Uniformity

RAB's range of Correlated Color Temperature follows the guidelines of the American National Standards for Specifications for the Chromaticity of Solid State Lighting (SLL) Products, ANSI C78.377-2017.

### CONSTRUCTION

#### Cold Weather Starting

Minimum starting temperature is -40°C (-40°F)

#### Maximum Ambient Temperature

Suitable for use in up to 50°C (122°F)

#### Housing

Die-cast aluminum housing, lens frame and mounting arm

#### Mounting

Universal mounting arm compatible for hole spacing patterns from 1" to 5 1/2" center to center. Round Pole Adaptor plate included as a standard. Easy slide and lock to mount fixture with ease. Round pole diameter must be >4" to mount fixtures at 90° orientation.

Roadway arm, compatible with all wattages, sold separately.

Slipfitter with 180° pivot available for mounting on 2 3/8" tenon. Slipfitter only available for 150W.

### CONSTRUCTION

#### Lens

Polycarbonate lens

#### Gasket

Silicone

#### Green Technology

Mercury and UV free. RoHS-compliant components.

#### Finish

Formulated for high durability and long lasting color.

#### Effective Projected Area (EPA)

MODEL#	Number of Fixtures without shield				
	1	2 at 90°	2 at 180°	3 @ 90°	4 at 90°
A17-70W-150W	0.60 ft <sup>2</sup>	0.86 ft <sup>2</sup>	1.21ft <sup>2</sup>	1.47 ft <sup>2</sup>	1.47 ft <sup>2</sup>
A17-200W-300W	0.72 ft <sup>2</sup>	1.04 ft <sup>2</sup>	1.43ft <sup>2</sup>	1.76 ft <sup>2</sup>	1.76 ft <sup>2</sup>
A17-375W-480W	0.80 ft <sup>2</sup>	1.18 ft <sup>2</sup>	1.60 ft <sup>2</sup>	1.98 ft <sup>2</sup>	1.98 ft <sup>2</sup>

MODEL#	Number of Fixtures with shield				
	1	2 at 90°	2 at 180°	3 @ 90°	4 at 90°
A17-70W-150W	0.64 ft <sup>2</sup>	1.14 ft <sup>2</sup>	1.28 ft <sup>2</sup>	1.80 ft <sup>2</sup>	1.80 ft <sup>2</sup>
A17-200W-300W	0.75 ft <sup>2</sup>	1.39 ft <sup>2</sup>	1.50 ft <sup>2</sup>	2.15 ft <sup>2</sup>	2.15 ft <sup>2</sup>
A17-375W-480W	0.84 ft <sup>2</sup>	1.59 ft <sup>2</sup>	1.68 ft <sup>2</sup>	2.43 ft <sup>2</sup>	2.43 ft <sup>2</sup>

# A17 Ultra-Economy Area Light

## TECHNICAL SPECIFICATIONS

### COMPLIANCE

#### UL Listed

Suitable for wet locations

#### IP Rating

Ingress protection rating of IP65 for dust and water

#### DLC Listed

This product is listed by Design Lights Consortium (DLC) as an ultra-efficient premium product that qualifies for the highest tier of rebates from DLC Member Utilities. Designed to meet DLC 5.1 requirements.

DLC family ID: EMWBRJ

#### DLC ID for the 3-way adjustable fixtures:

ARCHITECTURAL FLOOD & SPOT LUMINAIRES		OUTDOOR POLE/ARM MOUNTED AREA & ROADWAY LUMINAIRE	
MODEL#	DLC ID	MODEL#	DLC ID
A17XFU150	S-G40T53	A17XFU150	S-DXL61C
A17XFU300	S-KGB12M	A17XFU300	S-KK7JDZ

#### DLC ID for the field-adjustable adjustable fixtures

Application: Architectural flood & spot luminaire

ARCHITECTURAL FLOOD & SPOT LUMINAIRES			
MODEL#	DLC ID	MODEL#	DLC ID
A17-3T100	S-W24J16	A17-4T300/480	S-5KFGZ9
A17-3T100/480	S-CYH6K9	A17-4T375	S-GHTX3W
A17-3T150	S-2RB18Z	A17-4T375/480	S-LSSGYX
A17-3T150/480	S-5VZS6V	A17-4T480	S-9MV2DF
A17-3T200	S-Y72P8P	A17-4T480/480	S-8SWRNH
A17-3T200/480	S-RRKKBK	A17-4T70	S-ML9KBD
A17-3T300	S-H3QVJK	A17-4T70/480	S-0T99TT
A17-3T300/480	S-GR3BRN	A17-5T100	S-DBDCRR
A17-3T375	S-SB1X8W	A17-5T100/480	S-ND4CXS
A17-3T375/480	S-4YX04Q	A17-5T150	S-SYLJZT
A17-3T480	S-7HH0W0	A17-5T150/480	S-4C7MBR
A17-3T480/480	S-NZK29V	A17-5T200	S-T1K2WP
A17-3T70	S-H0PXT3	A17-5T200/480	S-LJK45J
A17-3T70/480	S-FP5BDT	A17-5T300	S-VFPG60
A17-4T100	S-15W21D	A17-5T300/480	S-217L7D
A17-4T100/480	S-5DXSJ9	A17-5T375	S-LTXLBH
A17-4T150	S-9QTSKY	A17-5T375/480	S-GHZ1WG
A17-4T150/480	S-RKP7PH	A17-5T480	S-GVFB5Y
A17-4T200	S-4520W8	A17-5T480/480	S-4D2B5B
A17-4T200/480	S-P28JTP	A17-5T70	S-KBNWRZ
A17-4T300	S-PTVX9C	A17-5T70/480	S-78WFP6

### COMPLIANCE (CONTINUED)

#### DLC ID for the field-adjustable adjustable fixtures

Application: Outdoor pole/arm mounted area and roadway luminaire

OUTDOOR POLE/ARM MOUNTED AREA & ROADWAY LUMINAIRE			
MODEL#	DLC ID	MODEL#	DLC ID
A17-3T100	S-QGNFMW	A17-4T300/480	S-GTYB8Z
A17-3T100/480	S-NBCTM9	A17-4T375	S-VPRKNT
A17-3T150	S-YBC5BD	A17-4T375/480	S-NYC7SH
A17-3T150/480	S-RWQ5VJ	A17-4T480	S-HG1F06
A17-3T200	S-R9YLTM	A17-4T480/480	S-5VFKTW
A17-3T200/480	S-0PGK77	A17-4T70	S-S0QCKY
A17-3T300	S-B923LK	A17-4T70/480	S-JGX7PH
A17-3T300/480	S-MCL0KR	A17-5T100	S-WCMJ45
A17-3T375	S-6MBPLN	A17-5T100/480	S-8X5VX0
A17-3T375/480	S-GNZ2F3	A17-5T150	S-N2V4S8
A17-3T480	S-35SRJH	A17-5T150/480	S-G2KRBN
A17-3T480/480	S-S7FX51	A17-5T200	S-MQT1QS
A17-3T70	S-2LTK2Y	A17-5T200/480	S-303SN0
A17-3T70/480	S-5LP8PJ	A17-5T300	S-TCG0W9
A17-4T100	S-FC3SY8	A17-5T300/480	S-NLV3D0
A17-4T100/480	S-5DFKFH	A17-5T375	S-V4L40B
A17-4T150	S-KONXRS	A17-5T375/480	S-TM69XM
A17-4T150/480	S-C7GV27	A17-5T480	S-95WFVR
A17-4T200	S-KQ0R41	A17-5T480/480	S-FTKGLW
A17-4T200/480	S-5F5DF2	A17-5T70	S-RJC26D
A17-4T300	S-GH8WZV	A17-5T70/480	S-GZBDWM

### ELECTRICAL

#### Drivers (A17-Field-adjustable)

Constant Current, Class 1, 120-277V, 50/60Hz

A17-70W

**50W:** 120V: 0.41A, 208V: 0.24A, 240V: 0.21A, 277V: 0.19A

**60W:** 120V: 0.49A, 208V: 0.28A, 240V: 0.26A, 277V: 0.23A

**70W:** 120V: 0.58A, 208V: 0.33A, 240V: 0.30A, 277V: 0.27A

A17-100W

**60W:** 120V: 0.41A, 208V: 0.24A, 240V: 0.21A, 277V: 0.19A

**80W:** 120V: 0.64A, 208V: 0.37A, 240V: 0.33A, 277V: 0.30A

**100W:** 120V: 0.80A, 208V: 0.46A, 240V: 0.42A, 277V: 0.36A

A17-150W

**100W:** 120V: 0.81A, 208V: 0.47A, 240V: 0.42A, 277V: 0.38A

**120W:** 120V: 0.97A, 208V: 0.56A, 240V: 0.51A, 277V: 0.45A

**150W:** 120V: 1.21A, 208V: 0.70A, 240V: 0.63A, 277V: 0.53A

A17-200W

**160W:** 120V: 1.30A, 208V: 0.75A, 240V: 0.68A, 277V: 0.61A

**180W:** 120V: 1.91A, 208V: 1.10A, 240V: 0.99A, 277V: 0.89A

**200W:** 120V: 1.63A, 208V: 0.94A, 240V: 0.85A, 277V: 0.72A

# A17 Ultra-Economy Area Light



## TECHNICAL SPECIFICATIONS (CONTINUED)

### ELECTRICAL (CONTINUED)

#### A17-300W

**200W:** 120V: 1.59A, 208V: 0.92A, 240V: 0.83A, 277V: 0.74A  
**240W:** 120V: 1.91A, 208V: 1.10A, 240V: 0.99A, 277V: 0.89A  
**300W:** 120V: 2.40A, 208V: 1.37A, 240V: 1.24A, 277V: 1.05A

#### A17-375W

**240W:** 120V: 1.93A, 208V: 1.11A, 240V: 1.00A, 277V: 0.90A  
**300W:** 120V: 2.41A, 208V: 1.39A, 240V: 1.25A, 277V: 1.12A  
**375W:** 120V: 3.01A, 208V: 1.74A, 240V: 1.57A, 277V: 1.40A

#### A17-480W

**320W:** 120V: 2.57A, 208V: 1.50A, 240V: 1.35A, 277V: 1.21A  
**400W:** 120V: 3.22A, 208V: 1.87A, 240V: 1.69A, 277V: 1.51A  
**480W:** 120V: 3.90A, 208V: 2.24A, 240V: 2.03A, 277V: 1.71A

Constant Current, Class 1, 480V, 50/60Hz

#### A17-70W

**50W:** 480V: 0.12A  
**60W:** 480V: 0.14A  
**70W:** 480V: 0.15A

#### A17-100W

**60W:** 480V: 0.12A  
**80W:** 480V: 0.18A  
**100W:** 480V: 0.22A

#### A17-150W

**100W:** 480V: 0.22A  
**120W:** 480V: 0.26A  
**150W:** 480V: 0.31A

#### A17-200W

**160W:** 480V: 0.34A  
**180W:** 480V: 0.396A  
**200W:** 480V: 0.41A

#### A17-300W

**200W:** 480V: 0.45A  
**240W:** 480V: 0.54A  
**300W:** 480V: 0.64A

#### A17-375W

**240W:** 480V: 0.76A  
**300W:** 480V: 0.67A  
**375W:** 480V: 0.53A

#### A17-480W

**320W:** 480V: 0.71A  
**400W:** 480V: 0.88A  
**480W:** 480V: 0.97A

#### THD / Power Factor:

MODEL#	THD		PF		THD		PF	
	120V		277V		480V			
A17-3T70	3.6%	99.9%	14.5%	91.9%	13.8%	93.6%		
A17-3T100	2.8%	99.9%	10.2%	93.5%	13.3%	93.5%		
A17-3T150	3.0%	99.9%	5.6%	96.2%	13.4%	94.7%		
A17-3T200	2.8%	99.9%	10.0%	95.8%	9.6%	94.7%		
A17-3T300	7.9%	99.5%	8.9%	95.1%	4.7%	96.7%		
A17-3T375	7.9%	99.5%	8.9%	94.8%	4.7%	96.7%		
A17-3T480	3.4%	99.8%	10.4%	96.8%	4.7%	96.7%		

#### Note

All values are typical (tolerance +/- 10%)

#### Surge Protection:

6kV

### LIGHTCLOUD BLUE

#### Lightcloud Blue-enabled

Lightcloud Blue (LCB) is a Bluetooth Mesh wireless lighting control system that allows you to control RAB's various compatible devices. With RAB's patented Rapid Provisioning technology, devices can be quickly and easily commissioned for residential and large commercial applications using the Lightcloud Blue mobile app. Each device in a system can communicate with any other device, eliminating the need for a Gateway or Hub and maximizing the control system's reach.

DLC system - N1XMLOEATBA (Interior); NHCZ2BIA17L (Exterior)

Learn more at [www.lightcloud.com](http://www.lightcloud.com)

### OCCUPANCY SENSOR (ACCESSORIES)

**Sensor Type:** Passive Infrared (PIR) or Microwave (MVS)

**Input Voltage:** 12VDC

**Operating Frequency:** 50/60Hz

**Input Current:** 30mA

**Operating Temperature:** -40°F to 140°F (-20°C to 60°C)

**Max Mounting Height:** 40 ft. (PIR); 50 ft. (MVS)

**Detection Range:** PIR: 40 ft. diameter mounted at 40 ft. (/PIR & /LCBS); MVS: 50 ft. diameter mounted at 50 ft. (/MVS & /LCBS/MVS); PIR20[B]/[LCB] and MVS20[B]/[LCB] 20 ft. diameter mounted at 9 ft. (sold separately)

**Daylight Sensing:** The sensor will determine to trigger the light(s) on or not based on the daylight threshold level set.

#### Default Settings:

Motion Sensitivity: High  
 Brightness when triggered : 100%  
 Hold time: 1 minute (20 minutes for LCB sensors)  
 Standby to dim: 20%  
 Standby time: 1 minute  
 When vacant: Off

### PERFORMANCE

#### Lifespan

100,000-hour LED lifespan based on IES LM-80 results and TM-21 calculations

#### OTHER

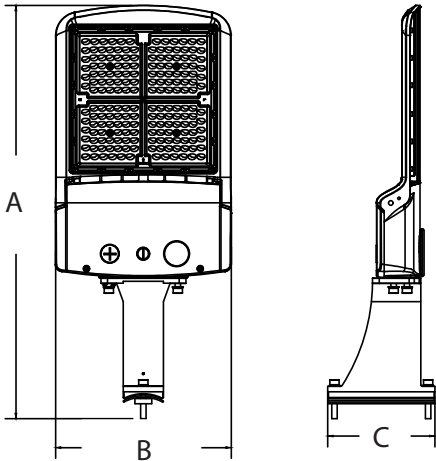
#### Warranty

The RAB 5-year, limited warranty covers light output, driver performance and paint finish. RAB's warranty is subject to all terms and conditions found at [rablighting.com/warranty](http://rablighting.com/warranty).

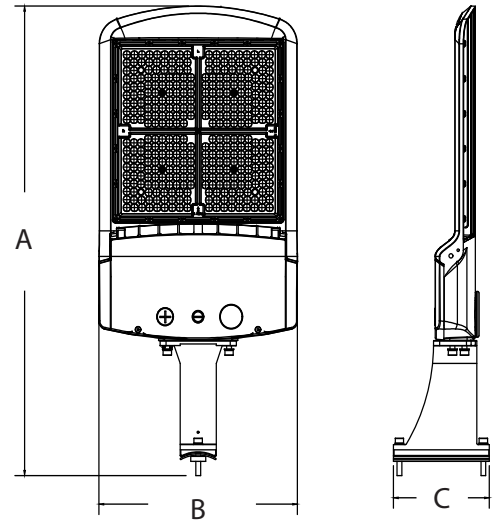
# A17 Ultra-Economy Area Light

## DIMENSIONS :

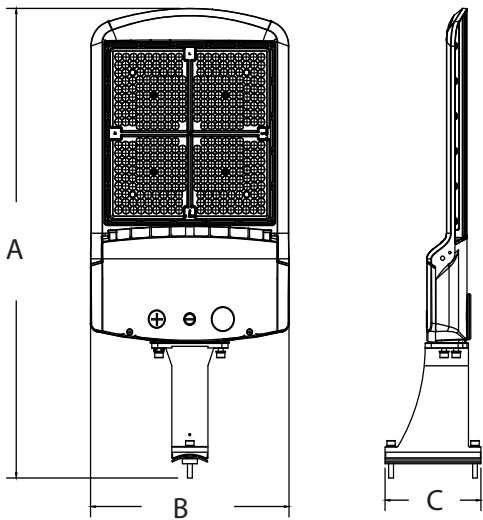
A17-70-150W (UNIVERSAL POLE MOUNT)



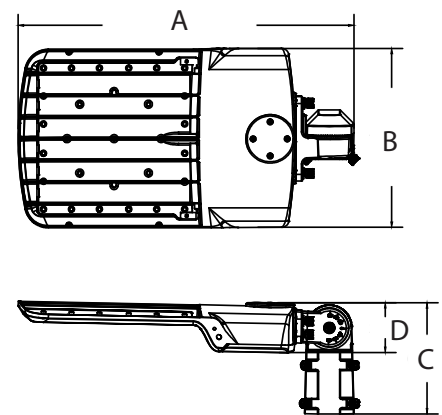
A17-200-300W (UNIVERSAL POLE MOUNT)



A17-375-480W (UNIVERSAL POLE MOUNT)



A17-150W (SLIPFITTER MOUNT)



MODEL# (UNIVERSAL MOUNTING ARM)	A	B	C	WEIGHT	
A17-70/150W	24 5/16"	10 5/16"	6 5/16"	10.8 lbs	
A17-200/300W	28 3/4"	13 1/16"	6 5/16"	17 lbs	
A17-375/480W	32 1/16"	15 1/4"	6 5/16"	25.75 lbs	
MODEL# SLIPFITTER MOUNT)	A	B	C	D	WEIGHT
A17-150W	19 3/8"	10 5/16"	6 7/16"	2 7/8"	8.8 lbs

# A17 Ultra-Economy Area Light



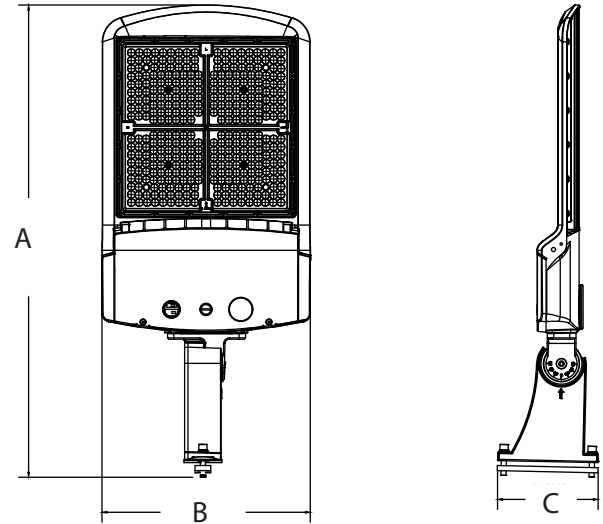
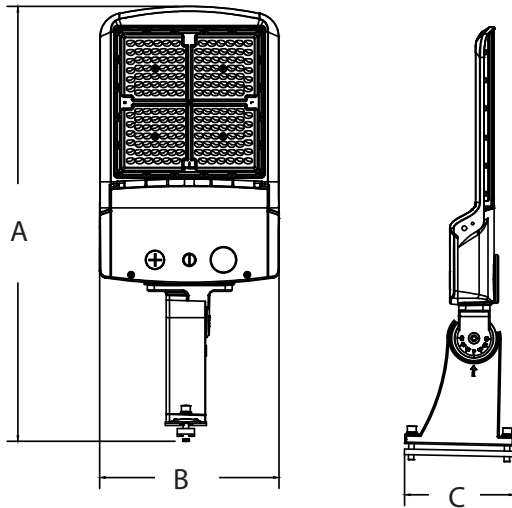
## DIMENSIONS :

### A17XFU-150W

Weight: 8.8 lbs

### A17XFU-300W

Weight: 300W : 11.5 lbs



MODEL# (w/ ADJUSTABLE UNIVERSAL MOUNTING ARM)	A	B	C	WEIGHT
A17XFU150	25 1/16"	10 5/16"	6 5/16"	10.12 lbs
A17XFU300	29 9/16"	13 1/16"	6 5/16"	13.42 lbs

## PERFORMANCE: A17 3-WAY FIELD ADJUSTABLE

A17XFU150	3000K	4000K	5000K	3000K	4000K	5000K	3000K	4000K	5000K
Wattage	150W			120W			100W		
Input Watts	151.7W	145.4W	151.7W	121.3W	116.4W	121.3W	101.1W	97W	101.1W
Lumens	22,074	23,339	22,547	18,037	19,029	18,227	15,177	16,061	15,406
Lm/W	145.6	160.5	148.7	148.7	163.6	150.2	150.1	164.7	152.4
CRI	82	84	81	82	84	81	82	84	81
Voltage Ratings	120-277V								

A17XFU300	3000K	4000K	5000K	3000K	4000K	5000K	3000K	4000K	5000K
Wattage	300W			240W			200W		
Input Watts	298W	285.9W	298.3W	238.4W	228.7W	238.7W	201W	200.3W	200.4W
Lumens	43,982	46,109	46,356	35,815	37,360	37,787	30,567	32,671	31,709
Lm/W	147.6	161.3	155.4	150.2	163.3	158.3	152.1	163.1	158.2
CRI	82	84	82	82	84	82	82	84	82
Voltage Ratings	120-277V								

# A17 Ultra-Economy Area Light

## PERFORMANCE: A17 FIELD ADJUSTABLE

A17- 70 Type III	3000K	4000K	5000K	3000K	4000K	5000K	3000K	4000K	5000K
Wattage	70W			60W			50W		
Input Watts	73.7W	69.1W	71.4W	61.2W	59.3W	61.2W	51W	49.4W	51W
Lumens	10,610	11,192	11,176	9,192	9,769	9,707	7,788	8,163	8,118
Lm/W	143.4	161.9	156.5	150.1	164.89	158.6	152.6	165.4	159.2
CRI	82	83	81	82	83	81	82	83	81
Voltage Ratings	120-277V								

A17- 70 Type IV	3000K	4000K	5000K	3000K	4000K	5000K	3000K	4000K	5000K
Wattage	70W			60W			50W		
Input Watts	73W	69.6W	72.2W	60.7W	58.2W	60.1W	51.8W	50W	51.4W
Lumens	10,260	10,855	10,547	8,765	9,204	9,011	7,635	7,985	7,843
Lm/W	140.0	155.3	145.5	143.9	157.4	149.3	146.9	159.0	152.1
CRI	82	83	81	82	83	81	82	83	81
Voltage Ratings	120-277V								

A17- 70 Type V	3000K	4000K	5000K	3000K	4000K	5000K	3000K	4000K	5000K
Wattage	70W			60W			50W		
Input Watts	70.7W	69.7W	72.3W	59.9W	58.3W	60.1W	50.1W	50.1W	51.4W
Lumens	10,336	11,047	10,743	8,943	9,368	9,183	7,633	8,125	7,990
Lm/W	146.2	157.8	148.0	149.2	160.0	152.0	152.2	161.5	154.8
CRI	82	83	81	82	83	81	82	83	81
Voltage Ratings	120-277V								

A17- 70 Type III	3000K	4000K	5000K	3000K	4000K	5000K	3000K	4000K	5000K
Wattage	70W			60W			50W		
Input Watts	74.3W	71.9W	74.5W	63.6W	61.6W	63.9W	53W	51.3W	53.2W
Lumens	10,770	11,425	11,399	9,962	10,019	9,993	8,460	8,504	8,648
Lm/W	145.1	159.7	153.5	156.5	162.7	156.5	159.5	165.7	162.5
CRI	82	83	81	82	83	81	82	83	81
Voltage Ratings	480V								

A17- 70 Type IV	3000K	4000K	5000K	3000K	4000K	5000K	3000K	4000K	5000K
Wattage	70W			60W			50W		
Input Watts	72.7W	71.2W	73W	60.8W	59.4W	61.1W	51.9W	51W	52.1W
Lumens	10,113	10,845	10,487	8,563	9,126	8,940	7,374	7,790	7,690
Lm/W	139.1	152.3	143.6	141.0	153.6	146.4	141.5	152.3	147.1
CRI	82	83	81	82	83	81	82	83	81
Voltage Ratings	480V								

A17- 70 Type V	3000K	4000K	5000K	3000K	4000K	5000K	3000K	4000K	5000K
Wattage	70W			60W			50W		
Input Watts	72.4W	71W	72.7W	60.7W	59.3W	60.9W	51.8W	50.9W	52W
Lumens	10,224	10,983	10,627	8,681	9,235	9,053	7,444	7,879	7,789
Lm/W	140.5	154.0	145.5	142.4	155.1	148.0	143.0	154.1	149.0
CRI	82	83	81	82	83	81	82	83	81
Voltage Ratings	480V								

# A17 Ultra-Economy Area Light



## PERFORMANCE: A17 FIELD ADJUSTABLE

A17-100 Type III	3000K	4000K	5000K	3000K	4000K	5000K	3000K	4000K	5000K
Wattage	100W			80W			60W		
Input Watts	99.7W	95.7W	99.8W	79.8W	76.6W	79.9W	59.8W	57.4W	59.9W
Lumens	14,540	15,299	15,364	11,875	12,355	12,444	8,986	9,377	9,428
Lm/W	145.8	159.8	153.9	148.9	161.3	155.8	150.2	163.2	157.4
CRI	82	83	82	82	83	81	82	83	81
Voltage Ratings	120-277V								

A17-100 Type IV	3000K	4000K	5000K	3000K	4000K	5000K	3000K	4000K	5000K
Wattage	100W			80W			60W		
Input Watts	102.1W	98.6W	102.2W	80.5W	78.4W	80.8W	61.6W	59.9W	61.4W
Lumens	14,400	15,585	15,190	11,798	12,672	12,533	9,325	9,856	9,855
Lm/W	140.6	157.6	148.2	146.1	161.1	154.6	151.0	164.0	160.0
CRI	82	83	81	82	83	81	82	83	81
Voltage Ratings	120-277V								

A17-100 Type V	3000K	4000K	5000K	3000K	4000K	5000K	3000K	4000K	5000K
Wattage	100W			80W			60W		
Input Watts	102.1W	95.7W	102.5W	80.7W	78.4W	80.7W	61.2W	59.8W	61.6W
Lumens	14,838	15,663	15,763	12,210	13,082	12,920	9,555	10,161	10,224
Lm/W	144.8	162.5	153.3	150.8	166.2	159.4	155.5	169.3	165.5
CRI	82	83	81	82	83	81	82	83	81
Voltage Ratings	120-277V								

A17-100 Type III	3000K	4000K	5000K	3000K	4000K	5000K	3000K	4000K	5000K
Wattage	100W			80W			60W		
Input Watts	103.6W	99.9W	103.9W	82.9W	79.9W	83.1W	62.2W	59.9W	62.3W
Lumens	15,261	16,147	16,105	12,457	13,157	13,158	9,528	10,032	10,068
Lm/W	147.4	161.7	155.3	150.3	164.7	158.3	153.3	167.4	161.5
CRI	81	81	81	81	81	81	81	81	81
Voltage Ratings	480V								

A17-100 Type IV	3000K	4000K	5000K	3000K	4000K	5000K	3000K	4000K	5000K
Wattage	100W			80W			60W		
Input Watts	100W	96.7W	100.1W	81.5W	79.2W	81.5W	61.1W	59.7W	61W
Lumens	14,073	15,207	14,845	11,854	12,690	12,520	9,210	9,741	9,727
Lm/W	140.2	156.7	148.2	144.9	159.7	153.1	150.1	162.6	158.8
CRI	81	81	81	81	81	81	81	81	81
Voltage Ratings	480V								

A17-100 Type V	3000K	4000K	5000K	3000K	4000K	5000K	3000K	4000K	5000K
Wattage	100W			80W			60W		
Input Watts	99.9W	96.7W	100.5W	81.0W	78.9W	81.3W	60.6W	59.5W	60.9W
Lumens	14,539	15,751	15,474	12,196	13,116	12,950	9,456	10,108	10,098
Lm/W	145.1	162.2	153.4	150.0	165.6	158.7	155.5	169.2	165.2
CRI	81	81	81	81	81	81	81	81	81
Voltage Ratings	480V								

# A17 Ultra-Economy Area Light

## PERFORMANCE: A17 FIELD ADJUSTABLE

A17-150 Type III	3000K	4000K	5000K	3000K	4000K	5000K	3000K	4000K	5000K
Wattage	150W			120W			100W		
Input Watts	151.7W	145.4W	151.7W	121.3W	116.4W	121.3W	101.1W	97W	101.1W
Lumens	22,074	23,339	22,547	18,037	19,029	18,227	15,177	16,061	15,406
Lm/W	145.6	160.5	148.7	148.7	163.6	150.2	150.1	164.7	152.4
82C84R81I	82	84	81	82	84	81	82	84	81
Voltage Ratings	120-277V								

A17-150 Type IV	3000K	4000K	5000K	3000K	4000K	5000K	3000K	4000K	5000K
Wattage	150W			120W			100W		
Input Watts	149.3W	143.9W	149.4W	121.5W	117.9W	121.9W	101.5W	98.6W	101.3W
Lumens	21,162	22,709	22,088	17,944	19,052	18,750	15,460	16,213	16,042
Lm/W	141.3	157.3	147.4	147.2	161.1	153.4	151.9	164.0	157.8
CRI	82	84	81	82	84	81	82	84	81
Voltage Ratings	120-277V								

A17-150 Type V	3000K	4000K	5000K	3000K	4000K	5000K	3000K	4000K	5000K
Wattage	150W			120W			100W		
Input Watts	149.8W	144.2W	150.7W	121.8W	117.9W	121.8W	102.4W	99.2W	101.7W
Lumens	21,835	23,343	22,997	18,399	19,464	19,189	15,966	16,682	16,470
Lm/W	145.8	161.2	152.0	150.5	164.5	157.0	155.4	167.6	161.4
CRI	82	84	81	82	84	81	82	84	81
Voltage Ratings	120-277V								

A17-150 Type III	3000K	4000K	5000K	3000K	4000K	5000K	3000K	4000K	5000K
Wattage	150W			120W			100W		
Input Watts	146.6W	141.4W	146.2W	117.3W	113.1W	117W	97.7W	94.3W	97.5W
Lumens	21,775	23,043	22,800	17,780	18,755	18,575	15,153	15,956	15,805
Lm/W	148.5	162.7	156.0	151.6	165.8	158.9	155.1	169.2	162.1
82C84R81I	82	83	81	82	83	81	82	83	81
Voltage Ratings	480V								

A17-150 Type IV	3000K	4000K	5000K	3000K	4000K	5000K	3000K	4000K	5000K
Wattage	150W			120W			100W		
Input Watts	150.6W	145.1W	151W	121.8W	124.4W	127.9W	101.3W	100.3W	107.9W
Lumens	21,044	22,736	22,044	17,594	19,333	18,827	14,999	15,907	16,243
Lm/W	139.2	156.1	145.4	144.0	154.8	146.7	147.6	158.1	150.0
CRI	82	83	81	82	83	81	82	83	81
Voltage Ratings	480V								

A17-150 Type V	3000K	4000K	5000K	3000K	4000K	5000K	3000K	4000K	5000K
Wattage	150W			120W			100W		
Input Watts	151.3W	145.1W	151W	123.7W	120.9W	124.2W	104.3W	101.5W	104.5W
Lumens	21,262	23,192	22,548	18,314	19,631	19,173	15,853	16,666	16,499
Lm/W	140.0	159.2	148.8	147.5	161.8	153.8	151.4	163.5	157.4
CRI	82	83	81	82	83	81	82	83	81
Voltage Ratings	480V								



# A17 Ultra-Economy Area Light



## PERFORMANCE: A17 FIELD ADJUSTABLE

A17-200 Type III	3000K	4000K	5000K	3000K	4000K	5000K	3000K	4000K	5000K
Wattage	200W			180W			160W		
Input Watts	202.6W	194.9W	202.5W	182.3W	175.4W	182.2W	162W	155.9W	162W
Lumens	30,238	31,923	31,971	27,825	29,059	29,035	25,114	26,259	25,959
Lm/W	149.3	163.8	157.9	152.6	165.7	159.3	155	168.4	160.3
CRI	82	83	81	82	83	81	82	83	81
Voltage Ratings	120-277V								

A17-200 Type IV	3000K	4000K	5000K	3000K	4000K	5000K	3000K	4000K	5000K
Wattage	200W			180W			160W		
Input Watts	199.3W	191.5W	198.6W	182.5W	175.3W	182W	161.5W	155.7W	160.8W
Lumens	28,895	31,037	30,089	26,953	28,733	28,033	24,506	25,833	25,339
Lm/W	144.5	161.6	151.0	147.3	163.4	153.6	151.2	165.4	157.1
CRI	82	83	81	82	83	81	82	83	81
Voltage Ratings	120-277V								

A17-200 Type V	3000K	4000K	5000K	3000K	4000K	5000K	3000K	4000K	5000K
Wattage	200W			180W			160W		
Input Watts	200.8W	192W	198.7W	182.7W	175W	181.7W	161.3W	155.4W	160.7W
Lumens	29,905	31,650	30,572	27,757	29,118	28,371	24,838	26,352	25,891
Lm/W	148.5	164.4	153.4	151.5	165.9	155.7	153.6	169.1	160.7
CRI	82	83	81	82	83	81	82	83	81
Voltage Ratings	120-277V								

A17-200 Type III	3000K	4000K	5000K	3000K	4000K	5000K	3000K	4000K	5000K
Wattage	200W			180W			160W		
Input Watts	196W	188W	196.3W	176.4W	169.2W	176.7W	156.8W	150.4W	157W
Lumens	29,241	30,751	30,890	26,866	28,189	26,589	24,398	25,538	24,969
Lm/W	149.2	163.6	157.4	152.3	166.6	150.5	155.6	169.8	159.0
CRI	82	83	81	82	83	81	82	83	81
Voltage Ratings	480V								

A17-200 Type IV	3000K	4000K	5000K	3000K	4000K	5000K	3000K	4000K	5000K
Wattage	200W			180W			160W		
Input Watts	199.5W	191.4W	198.9W	182.2W	175.5W	181.5W	162.2W	156.0W	161.4W
Lumens	28,715	30,854	29,980	26,659	28,527	27,809	24,225	25,603	25,111
Lm/W	143.5	160.7	150.3	145.8	162.0	152.8	148.9	163.6	155.1
CRI	82	83	81	82	83	81	82	83	81
Voltage Ratings	480V								

A17-200 Type V	3000K	4000K	5000K	3000K	4000K	5000K	3000K	4000K	5000K
Wattage	200W			180W			160W		
Input Watts	199.3W	191.3W	199.1W	182.1W	175.6W	181.7W	162.1W	156.3W	161.6W
Lumens	30,007	32,276	31,571	27,768	29,779	29,051	25,165	26,761	26,219
Lm/W	150.1	168.2	158.1	152.0	169.1	159.3	154.7	170.7	161.7
CRI	82	83	81	82	83	81	82	83	81
Voltage Ratings	480V								

# A17 Ultra-Economy Area Light

## PERFORMANCE: A17 FIELD ADJUSTABLE

A17-300 Type III	3000K	4000K	5000K	3000K	4000K	5000K	3000K	4000K	5000K
Wattage	300W			240W			200W		
Input Watts	298W	285.9W	298.3W	238.4W	228.7W	238.7W	201W	200.3W	200.4W
Lumens	43,982	46,109	46,356	35,815	37,360	37,787	30,567	32,671	31,709
Lm/W	147.6	161.3	155.4	150.2	163.3	158.3	152.1	163.1	158.2
82C84R811	82	84	82	82	84	82	82	84	82
Voltage Ratings	120-277V								

A17-300 Type IV	3000K	4000K	5000K	3000K	4000K	5000K	3000K	4000K	5000K
Wattage	300W			240W			200W		
Input Watts	300.6W	288.4W	300.3W	237.9W	229.8W	238.2W	200.7W	200.3W	200.2W
Lumens	42,458	45,414	44,227	34,606	37,154	36,784	29,983	32,295	31,525
Lm/W	140.8	157.0	146.8	145.5	161.2	154.0	149.4	161.2	157.5
CRI	82	84	82	82	84	82	82	84	82
Voltage Ratings	120-277V								

A17-300 Type V	3000K	4000K	5000K	3000K	4000K	5000K	3000K	4000K	5000K
Wattage	300W			240W			200W		
Input Watts	300.6W	288.6W	300.5W	238.5W	230.1W	238.4W	200.4W	201W	201W
Lumens	43,413	46,714	45,540	36,027	38,364	37,894	30,924	33,454	32,501
Lm/W	144.0	161.4	151.1	150.6	166.2	158.4	154.3	166.5	161.7
CRI	82	84	82	82	84	82	82	84	82
Voltage Ratings	120-277V								

A17-300 Type III	3000K	4000K	5000K	3000K	4000K	5000K	3000K	4000K	5000K
Wattage	300W			240W			200W		
Input Watts	307.8W	295.9W	308W	240.4W	241W	241W	205.2W	197.3W	205.3W
Lumens	45,948	48,412	48,475	34,020	37,833	36,182	31,888	33,600	33,587
Lm/W	149.3	163.6	157.4	141.5	157.0	150.1	155.4	170.3	163.6
82C84R811	82	84	81	82	84	81	82	84	81
Voltage Ratings	480V								

A17-300 Type IV	3000K	4000K	5000K	3000K	4000K	5000K	3000K	4000K	5000K
Wattage	300W			240W			200W		
Input Watts	300.3W	288.5W	301.8W	240.9W	240W	241.2W	215.7W	208.4	215W
Lumens	43,459	46,435	45,137	34,863	38,472	36,523	32,302	34,485	34,233
Lm/W	144.3	160.4	149.1	144.7	160.3	151.4	149.2	165.0	158.8
CRI	82	84	81	82	84	81	82	84	81
Voltage Ratings	480V								

A17-300 Type V	3000K	4000K	5000K	3000K	4000K	5000K	3000K	4000K	5000K
Wattage	300W			240W			200W		
Input Watts	300.9W	289.2W	302.4W	240.9W	240W	241.2W	215.4W	207.6W	214.6W
Lumens	43,672	47,384	46,299	36,462	39,887	38,118	33,202	35,024	34,775
Lm/W	144.7	163.3	152.6	151.4	166.2	158.0	153.6	168.2	161.5
CRI	82	84	81	82	84	81	82	84	81
Voltage Ratings	480V								

# A17 Ultra-Economy Area Light



## PERFORMANCE: A17 FIELD ADJUSTABLE

A17-375 Type III	3000K	4000K	5000K	3000K	4000K	5000K	3000K	4000K	5000K
Wattage	375W			300W			240W		
Input Watts	381.3W	361.4W	377.2W	305.1W	289.1W	301.8W	244.0W	231.3W	241.4W
Lumens	56,702	59,359	58,624	45,822	47,953	47,784	37,312	39,003	38,705
Lm/W	148.7	164.3	155.4	150.2	165.9	158.4	152.9	168.7	160.3
CRI	82	84	82	82	84	82	82	84	82
Voltage Ratings	120-277V								

A17-375 Type IV	3000K	4000K	5000K	3000K	4000K	5000K	3000K	4000K	5000K
Wattage	375W			300W			240W		
Input Watts	374W	365.8W	372.8W	302.6W	298.2W	303.6W	239.7W	236.8W	240.3W
Lumens	56,816	58,208	56,979	47,092	48,613	47,960	38,363	39,476	39,237
Lm/W	151.6	158.8	152.5	155.3	162.7	157.7	159.7	166.4	162.9
CRI	82	84	82	82	84	82	82	84	82
Voltage Ratings	120-277V								

A17-375 Type V	3000K	4000K	5000K	3000K	4000K	5000K	3000K	4000K	5000K
Wattage	375W			300W			240W		
Input Watts	376.4W	368.6W	375.7W	304.2W	299.8W	305.2W	240.9W	238.1W	241.8W
Lumens	58,872	60,553	59,365	48,868	50,484	49,807	39,754	40,971	40,785
Lm/W	156.0	163.8	157.6	160.2	168.4	162.7	164.5	171.6	168.7
CRI	82	84	82	82	84	82	82	84	82
Voltage Ratings	120-277V								

A17-375 Type III	3000K	4000K	5000K	3000K	4000K	5000K	3000K	4000K	5000K
Wattage	375W			300W			240W		
Input Watts	384.1W	364.4W	379.2W	307.3W	291.5W	303.4W	245.8W	233.2W	242.5W
Lumens	57,853	61,661	59,674	47,247	50,196	48,689	38,640	40,950	39,770
Lm/W	150.7	169.3	157.4	153.8	172.2	160.5	157.2	175.6	164.0
CRI	82	83	81	82	83	81	82	83	81
Voltage Ratings	480V								

A17-375 Type IV	3000K	4000K	5000K	3000K	4000K	5000K	3000K	4000K	5000K
Wattage	375W			300W			240W		
Input Watts	377W	363W	378.5W	307.3W	291.5W	303.4W	245.8W	233.2W	242.5W
Lumens	54,952	58,435	56,165	46,307	49,342	47,753	37,804	40,157	38,921
Lm/W	145.8	161.0	148.4	150.7	169.3	157.4	153.8	172.2	160.5
CRI	82	83	81	82	83	81	82	83	81
Voltage Ratings	480V								

A17-375 Type V	3000K	4000K	5000K	3000K	4000K	5000K	3000K	4000K	5000K
Wattage	375W			300W			240W		
Input Watts	375.4W	364.2W	372.8W	306.9W	295.7W	308.1W	239W	232.4W	240.3W
Lumens	55,806	60,410	60,139	42,515	46,844	44,863	36,907	38,907	37,973
Lm/W	148.7	165.4	160.9	138.1	158.0	145.2	154.5	167.4	158.0
CRI	82	83	81	82	83	81	82	81	83
Voltage Ratings	480V								

# A17 Ultra-Economy Area Light

## PERFORMANCE: A17 FIELD ADJUSTABLE

A17-480 Type III	3000K	4000K	5000K	3000K	4000K	5000K	3000K	4000K	5000K
Wattage	480W			400W			320W		
Input Watts	488.5W	463.2W	479.6W	407.1W	385.8W	399.8W	325.6W	308.8W	319.5W
Lumens	71,274	76,317	73,390	61,591	65,509	63,648	51,933	54,316	52,871
Lm/W	146.0	164.8	153.1	151.3	169.8	159.2	159.5	175.9	165.5
82C84R81I	82	84	82	82	84	82	82	84	82
Voltage Ratings	120-277V								

A17-480 Type IV	3000K	4000K	5000K	3000K	4000K	5000K	3000K	4000K	5000K
Wattage	480W			400W			320W		
Input Watts	467.8W	451.4W	469.1W	391.2W	379.7W	393.0W	321.4W	310.7W	320.1W
Lumens	66,190	71,177	68,602	56,865	61,228	59,651	49,326	51,396	50,803
Lm/W	141.1	157.2	145.8	144.9	160.8	151.4	153.0	164.9	158.3
CRI	82	84	82	82	84	82	82	84	82
Voltage Ratings	120-277V								

A17-480 Type V	3000K	4000K	5000K	3000K	4000K	5000K	3000K	4000K	5000K
Wattage	480W			400W			320W		
Input Watts	461.7W	457.4W	470.2W	388W	388.9W	405.5W	317.4W	316.2W	322.5W
Lumens	68,813	72,712	71,232	59,872	62,596	60,938	51,104	53,315	52,130
Lm/W	148.6	158.5	151.0	153.9	160.5	149.8	160.6	168.1	161.2
CRI	82	84	82	82	84	82	82	84	82
Voltage Ratings	120-277V								

A17-480 Type III	3000K	4000K	5000K	3000K	4000K	5000K	3000K	4000K	5000K
Wattage	480W			400W			320W		
Input Watts	488.5W	463.2W	479.6W	406.6W	386W	399.6W	325.6W	308.8W	319.7W
Lumens	71,274	76,317	73,390	60,583	64,809	62,418	49,556	52,836	51,152
Lm/W	146.0	164.8	153.1	149.0	167.9	156.2	152.2	171.1	160.0
82C84R81I	81	81	81	81	81	81	81	81	81
Voltage Ratings	480V								

A17-480 Type IV	3000K	4000K	5000K	3000K	4000K	5000K	3000K	4000K	5000K
Wattage	480W			400W			320W		
Input Watts	461.9W	454.6W	465.6W	393.3W	397.4W	396.8W	321.2W	325.6W	324.1W
Lumens	69,909	73,057	73,305	60,965	65,386	63,432	51,327	54,567	53,120
Lm/W	150.9	160.3	157.0	154.6	164.1	159.4	159.4	167.2	163.5
CRI	81	81	81	81	81	81	81	81	81
Voltage Ratings	480V								

A17-480 Type V	3000K	4000K	5000K	3000K	4000K	5000K	3000K	4000K	5000K
Wattage	480W			400W			320W		
Input Watts	462.7W	454.9W	464.5W	394.7W	390.2W	397.7W	321.1W	321.3W	322.6W
Lumens	72,703	75,556	74,756	63,651	66,189	66,024	53,764	55,914	54,976
Lm/W	156.7	166.1	160.5	160.8	169.2	165.6	167.0	173.6	169.9
CRI	81	81	81	81	81	81	81	81	81
Voltage Ratings	480V								

# A17 Ultra-Economy Area Light











## ACCESSORIES

IMAGE	SKU#	UPC	DESCRIPTION
	A17-RHS-S	192552035941	A17 UP TO 150W REVERSIBLE HS SHIELD BZ
	A17-RHS-M	192552035910	A17 200W TO 300W REVERSIBLE HS SHIELD BZ
	A17-RHS-L	192552035880	A17 375W AND UP REVERSIBLE HS SHIELD BZ
	A17-WM	192552004466	AREALIGHT A17 Wall Mount Kit
	A17-RW ARM	192552029452	ROADWAY ARM A17
	A17-SF-KIT-S-M	192552035262	A17LIGHTS A17 UP TO 300W SLIPFITTER KIT
	A17-SF-KIT-L	192552035255	A17LIGHTS A17 375W AND UP SLIPFITTER KIT
	A17-ADJ-KIT-S-M	192552035200	AREA LIGHTS A17 UP TO 300W UNIVERSAL ADJ ARM KIT BZ
	A17-ADJ-KIT-L	192552035170	AREA LIGHTS A17 375W AND UP UNIVERSAL ADJ ARM KIT BZ
	R-3P-PCT	192552004299	RAB 3 PIN TWISTLOCK PHOTOCELL 120-277V
	RPCT-480	192552002875	TWISTLOCK PHOTOCELL RAB 480V
	MSR1	192552026055	MULTI SENSOR REMOTE IP20 H17-JJAR17SEAL MVS AND PIR

# A17 Ultra-Economy Area Light

## ACCESSORIES (CONTINUED)

IMAGE	SKU#	UPC	DESCRIPTION
	MVS50	192552025997	HIGH CEILING LOW VOLTAGE MVS SENSOR WHITE
	MVS50/LCB	192552014168	LC BLUE HIGH CEILING LOW VOLT LUMINAIRE CONTROLLER W/MVS WHITE
	PIR40	192552026000	HIGH CEILING LOW VOLTAGE PIR SENSOR WHITE
	PIR40/LCB	192552014151	LC BLUE HIGH CEILING LOW VOLT LUMINAIRE CONTROLLER W/PIR WHITE
	MVS20	192552026017	LOW CEILING LOW VOLTAGE MVS SENSOR WHITE
	MVS20/LCB	192552042253	LC BLUE LOW CEILING LOW VOLT LUMINAIRE CONTROLLER WITH MVS WHITE
	PIR20	192552026024	LOW CEILING LOW VOLTAGE PIR SENSOR WHITE
	PIR20/LCB	192552042246	LC BLUE LOW CEILING LOW VOLT LUMINAIRE CONTROLLER WITH PIR WHITE

## ORDERING MATRIX

Family	Distribution Type*	Wattage	Mounting	Color Temperature	Finish	Voltage Rating	Options
<b>A17</b>							
	3T Type III 4T Type IV 5T Type V	70 70/60/50W 100 100/80/60W 150 150/120/100W 200 200/180/160W 300 300/240/200W 375 375/300/240W 480 480/400/320W	BLANK Universal Pole Mount SF Slipfitter	BLANK 3000/4000/5000K CCT Adjustable	BLANK Bronze	BLANK 120-277V /480 480V	BLANK /3PRS 3-pin Receptacle with Shorting Cap /7PRS 7-pin Receptacle with Shorting Cap /MVS Microwave Motion Sensor /LCBS Lightcloud Blue Enabled w/PIR Sensor /LCBS/MVS Lightcloud Blue Enabled w/MVS Sensor

<sup>1</sup>Slipfitter Mount available on 150W only

\*Type II distribution available as special order

Wall mount and roadway arm mount available as optional accessories

## A17XFU

Family	Wattage	Color Temperature	Finish	Voltage Rating	Options
<b>A17XFU</b>					
	150 150/120/100W 300 300/240/200W	BLANK 3000/4000/5000K CCT Adjustable	BLANK B W Bronze Black White	BLANK 120-277V, 0-10V Dimming	BLANK /LC /LCBS /LCBS/MVS 7-pin Receptacle & Shorting Cap 3-pin Twistlock photocell included Lightcloud Controller Lightcloud Blue Enabled w/PIR Sensor Lightcloud Blue Enabled w/MVS Sensor

A17XFU comes standard with Adjustable Universal Pole Mount, 7-Pin Receptacle with Shorting Cap