

NPR-56RSLA

5"/6" Pearl 120V LED Adjustable Slot Retrofit

Source: 12W LED
950lm

PRODUCT DESCRIPTION

Pearl LED Retrofit series is cULus classified for use in existing IC or Non-IC housings manufactured by Nora and others. Retrofit luminaire delivers over 950 lumens with a regressed cone construction, which optimizes visual cut-off and adjust up to 30°.

FEATURES

- 30° Adjustability
- Medium base socket adapter included
- Retrofit existing 5" or 6" recessed housings
- Comfort Dim (warm dimming) is available in 700lm only
- 2700K, 3000K, 3500K, 4000K @ 90+ CRI
- Field changeable optics included (Spot, Narrow Flood and Flood - installed)
- Integral dimmable driver
- 5-year limited warranty
- cULus classified for wet locations

SPECIFICATION

Construction: Trims are constructed of heat dissipating, die-cast aluminum. The aluminum die-cast LED heat sink is threaded to fit the reflector and transfer heat.

Mounting: Luminaire includes friction blades to mount securely to housing.

OPTICS

Three field changeable optics (spot, narrow flood and flood) are included with each LED module. Premium 22° and 26° TIR optics are also available.

Retrofit: Pearl retrofit series includes medium base screw-socket adapter (NRA-211SM) for retrofitting into existing medium base downlight housings. GU24 socket adapter is available for use with GU24 housings, must specify NRA-212SM.

ELECTRICAL

Input Voltage: 120V

Lumens / Wattage: 950lm / 12W (700lm w/ Comfort Dim)

Color Temperature: 2700K, 3000K, 3500K, 4000K

Color Rendering Index: 90+CRI

Operating Temperature: 0°C to 25°C

Lifetime: 50,000 hours @ L70

Comfort Dim: Comfort Dim color tunes the temperature from a bright 3100K, to a romantic and comfortable 2000K on a gradual, even curve. Available in 700lm only.

Dimming: Triac (leading edge) or ELV (trailing edge)

[Click Here](#) or check complete dimmer list at

www.NoraLighting.com in the "Compatibility" page under "Resources" tab

COMPATIBLE HOUSINGS

Retrofit is compatible with most 5" & 6" IC and Non-IC housings by Nora and others.

Fire Box

- [NFBIC-5INCATA](#) 5" ICAT Fire Box
- [NFBIC-5LMRATA*](#) 5" ICAT Dedicated LED Fire Box
- [NFBIC-6INCATA](#) 6" ICAT Fire Box
- [NFBIC-6LMRATA*](#) 6" ICAT Dedicated LED Fire Box

New Construction

- [NHIC-5LMRAT*](#) 5" ICAT Dedicated LED
- [NHIC-5LMRAT/277*¹](#) 5" ICAT Dedicated LED, 277V
- [NHIC-527LMRAT*](#) 5" ICAT Shallow Dedicated LED
- [NHIC-5010AT](#) 5" ICAT Line Voltage
- [NHIC-5270AT](#) 5" ICAT Shallow Line Voltage
- [NHIC-6LMRAT*](#) 6" ICAT Dedicated LED
- [NHIC-6LMRAT/277*¹](#) 6" ICAT Dedicated LED, 277V
- [NHICCP-6LMRAT*](#) 6" Chicago Plenum Dedicated LED
- [NHIC-27LMRAT*](#) 6" ICAT Shallow Dedicated LED
- [NHIC-170AT](#) 6" ICAT Line Voltage
- [NHIC-170NBAT](#) 6" ICAT Line Volt (No Bracket)
- [NHIC-270AT](#) 6" ICAT Shallow Line Voltage
- [NH-26Q](#) 6" Line Voltage
- [NH-27Q](#) 6" Shallow Line Voltage
- [NHIC-6G24ATFL](#) 6" ICAT GU24

Remodel

- [NHRIC-5LMRAT*](#) 5" ICAT Dedicated LED
- [NHRIC-527LMRAT*](#) 5" ICAT Shallow Dedicated LED
- [NHRIC-5040AT](#) 5" ICAT Line Voltage
- [NHRIC-5270AT](#) 5" ICAT Shallow Line Voltage
- [NHR-5040](#) 5" Line Voltage
- [NHRIC-6LMRAT*](#) 6" ICAT Dedicated LED
- [NHRIC-27LMRAT*](#) 6" ICAT Shallow Dedicated LED
- [NHRIC-170AT](#) 6" ICAT Line Voltage
- [NHRIC-170NBAT](#) 6" ICAT Line Volt (No Bracket)
- [NHRIC-270AT](#) 6" ICAT Shallow Line Voltage
- [NHR-26Q](#) 6" Line Voltage
- [NHR-27Q](#) 6" Shallow Line Voltage

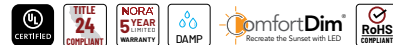
* Nora LED Dedicated housings are cULus listed for use only with Nora LED Retrofits.

¹ Housings include a step down transformer

Accessories: Luminaire can accommodate (1) hex louver and (1) translucent deco collar or opaque snoot, no accessory holder is required, see page 2.

LABELS AND LISTINGS

- cULus classified for Damp Locations
- RoHS compliant
- [5-Year Limited Warranty](#)
- Certified to the high efficacy requirements of California Title 24 JA8-2022



Type

Project

Catalog No.

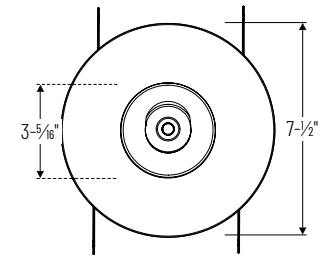
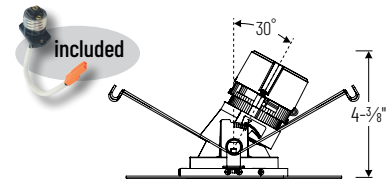
Notes

Performance Data

Part Number	Lumens	CCT	Optic
NPR-56RSLA40XMPW	967lm	4000K	Spot
NPR-56RSLA40XMPW	944lm	4000K	Narrow
NPR-56RSLA40XMPW	935lm	4000K	Flood

Delivered lumens will vary depending on CCT, optic and finish

PRODUCT IMAGES & DIMENSIONS



BMPW
Black Reflector
Matte Powder White Flange



MPW
Matte Powder White Reflector
Matte Powder White Flange

5"/6" Pearl 120V LED Adjustable Slot Retrofit

Color Temperature	Finish
NPR-56RSLA27X = 2700K	BMPW = Black Reflector / Matte Powder White Flange
NPR-56RSLA30X = 3000K	MPW = Matte Powder White Reflector & Flange
NPR-56RSLA35X = 3500K	
NPR-56RSLA40X = 4000K	
NPR-56RSLACDX = Comfort Dim	

Example: **NPR-56RSLA27XMPW** = 5"/6" Pearl 120V LED Adjustable Slot Retrofit, 2700K, Matte Powder White Reflector & Flange

Pearl LED Retrofit Accessories

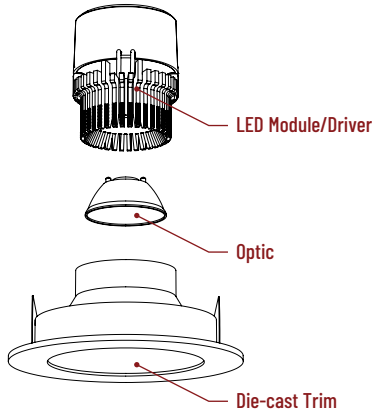
5"/6" Pearl LED Adjustable Slot Retrofit

Type
Project
Catalog No.
Notes

FIELD CHANGEABLE OPTICS

Pearl luminaires include spot, narrow flood and flood optics. Optics can be changed in the field by removing LED module from die-cast trim. Replacement optics include an optional frosted lens.

Note: Premium TIR optics are not compatible with Comfort Dim LED modules.



Frosted Optics

NIO-REFL38FR 60° Optic
NIO-REFL60FR 73° Optic

Replaces optics that are included with each LED module.



Premium TIR Optics

NIO-REFLTIR15 22° Optic
NIO-REFLTIR25 26° Optic

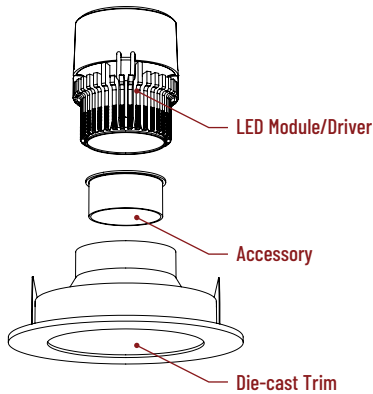
Premium TIR (total internal reflection) optics create optimal spot and narrow flood beam spread.

Not compatible with Comfort Dim (CDX) LED module

ACCESSORIES

Pearl accessories can be added at any point in the design process. Accessories easily install between LED module and die-cast trim.

Luminaire will accommodate (1) hex louver and (1) collar accessory, no accessory holder required.



Translucent Decorative Collar

NIO-AS14(color) 5/8" length
NIO-AS19(color) 3/4" length
NIO-AS26(color) 1" length
Color:
AM (amber), **BLU** (blue), **FR** (frosted), **R** (red)

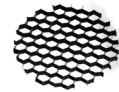
Translucent collars color the aperture with the specified color while producing white general light. Collars are available in different lengths. Use to add interest, create a theme, match a theme or define a space.



Opaque Collar Snoot

NIO-AS14(color) 5/8" length
NIO-AS19(color) 3/4" length
NIO-AS26(color) 1" length
Color:
MPW (matte powder white), **WH** (white)

Opaque snoot greatly reduces aperture brightness while preserving light output.



Hex Cell Louver

NIO-HC Black
 Hex cell louver subtly reduces aperture brightness by reducing light output by about 20%.

PHOTOMETRICS

5"/6" Pearl LED Round Adjustable Slot Retrofit

Type

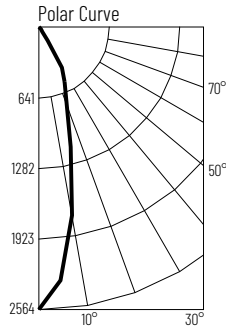
Project

Catalog No.

Notes

Test Information

Test Number: NTR2636R1
 Part Number: NPR-56RSLA40XWW
 Beam Spread: 27° Spot
 Lumens: 967lm
 Wattage: 11.62W
 Efficacy: 83pw
 CCT / CRI: 4000K / 90 CRI
 Spacing Criteria (0°-180°): 0.46
 Spacing Criteria (90°-270°): 0.48



Illuminance at a Distance

Distance from Luminaire	FC at Nadir	Beam Diameter
4'	160fc	2'
6'	71.2fc	2'-11"
8'	40.1fc	3'-11"
10'	25.6fc	4'-11"
12'	17.8fc	5'-11"

Zonal Lumen Summary

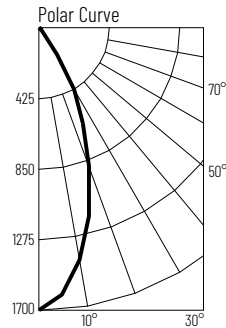
Zone	Lumens	% Luminaire
0-30	786	81.2
0-40	911	94.1
0-60	953	98.6
0-90	967	100
90-180	0	0
0-180	967	100

Candela Table

Vertical Angles	Candela
0	2564
5	2306
15	1124
25	551
35	146
45	38

Test Information

Test Number: NTR2631R1
 Part Number: NPR-56RSLA40XWW
 Beam Spread: 41° Narrow Flood
 Lumens: 944lm
 Wattage: 11.62W
 Efficacy: 81pw
 CCT / CRI: 4000K / 90 CRI
 Spacing Criteria (0°-180°): 0.66
 Spacing Criteria (90°-270°): 0.66



Illuminance at a Distance

Distance from Luminaire	FC at Nadir	Beam Diameter
4'	106fc	3'
6'	47.2fc	4'-6"
8'	26.6fc	6'-1"
10'	17fc	7'-7"
12'	11.8fc	9'-1"

Zonal Lumen Summary

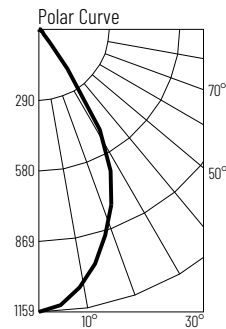
Zone	Lumens	% Luminaire
0-30	762	80.7
0-40	888	94
0-60	929	98.4
0-90	944	100
90-180	0	0
0-180	944	100

Candela Table

Vertical Angles	Candela
0	1700
5	1612
15	1171
25	632
35	196
45	36

Test Information

Test Number: NTR2632R1
 Part Number: NPR-56RSLA40XWW
 Beam Spread: 57° Flood
 Lumens: 935lm
 Wattage: 11.62W
 Efficacy: 80pw
 CCT / CRI: 4000K / 90 CRI
 Spacing Criteria (0°-180°): 0.88
 Spacing Criteria (90°-270°): 0.86



Illuminance at a Distance

Distance from Luminaire	FC at Nadir	Beam Diameter
4'	72.4fc	4'-5"
6'	32.2fc	6'-7"
8'	18.1fc	8'-10"
10'	11.6fc	11'
12'	8.1fc	13'-4"

Zonal Lumen Summary

Zone	Lumens	% Luminaire
0-30	600	64.1
0-40	824	88.1
0-60	915	97.9
0-90	935	100
90-180	0	0
0-180	935	100

Candela Table

Vertical Angles	Candela
0	1159
5	1127
15	955
25	708
35	262
45	42

Lumen Output Multipliers

Color Temperature: 2700K (0.9), 3000K (0.92), 3500K (0.97), 4000K (1.00)