

NMW

M-Wave Can-less Adjustable LED Downlight

Source: 9W or 14W LED

750lm or 1250lm

Type

Project

Catalog No.

Notes

PRODUCT DESCRIPTION

M-Wave adjustable downlights are unique and functional. Luminaires extend up to 90° and can be rotated 350° to illuminate any surface. Can-less recessed luminaires require no housing, while maintaining air-tight requirements in IC or Non-IC applications.

FEATURES

- No housing required - IC Air-Tight rated
- Easy installation for remodel or new construction applications
- 90° Tilt & 350° Rotation
- Quick disconnect allows for extended lengths
- Delivering over 1250lm
- 2700K or 3000K @ 90+ CRI
- Triac or ELV dimming
- 5-year limited warranty
- cETLus Listed for Wet Locations

SPECIFICATION

Construction: Die-cast aluminum trims available in matte black or matte powder white finish. Luminaires include a flood optic, optional field changeable optics are available.

Air Flow Restriction: Luminaire restricts airflow from room into ceiling plenum to <2CFM (cubic feet per minute) in accordance with ASTM-283 Air-Tight requirements.

Clearance: IC rated luminaires are rated for direct contact with insulation (not spray foam insulation), no minimum clearance is required.

Junction Box: Prewired junction box includes quick connect to LED fixtures for ease of installation. Junction box includes two 1/2" trade size knockouts and snap on cover with 18" quick connect wire. Luminaire includes 6" quick connect wire.

Maximum length between luminaire and driver is 40'. For longer remote driver remote run length, consult factory.

Mounting: No housing is required, two tensions steel spring clips secure luminaire to ceiling. Accommodates ceiling thickness up to 5/8". New construction frame-in is available, see accessories.

Optics: Luminaires include a narrow flood optic installed. Replacement optics (narrow spot or spot) can be ordered separately and installed in the field without any tools.

ELECTRICAL

Input Voltage: 120VAC

Lumens / Wattage: 750lm / 9W or 1250lm / 14W

Color Temperature: 2700K or 3000K

Color Rendering Index: 90+ CRI

Operating Temperature: 0-35°C

Dimming: Triac or ELV

[Click Here](#) or check complete dimmer list at www.NoraLighting.com in the "Compatibility" page under "Resources" tab

OPTIONAL FIELD CHANGEABLE OPTICS

NMWA-2OPTSP: Narrow Spot Optic for NMW-2

NMWA-2OPTNFL: Spot Optic for NMW-2

NMWA-4OPTSP: Narrow Spot Optic for NMW-4

NMWA-4OPTNFL: Spot Optic for NMW-4

OPTIONAL MOUNTING ACCESSORIES

NF-R124: New Construction Frame-In for NMW-4

NCA-EW-4: 4' Quick Connect Linkable Extension Cable (Maximum length between luminaire and driver is 40'.)

NCA-EW-10: 10' Quick Connect Linkable Extension Cable (Maximum length between luminaire and driver is 40'.)

LABELS AND LISTINGS

- cULus Listed for Wet Locations
- [5-Year Limited Warranty](#)
- FCC compliant
- Certified to the high efficacy requirements of California Title 24 JA8-2022



Performance Data

Part Number	Narrow	Spot	Flood	CCT
NMW-230MPW	745lm	787lm	775lm	3000K
NMW-430MPW	1310lm	1276lm	1274lm	3000K

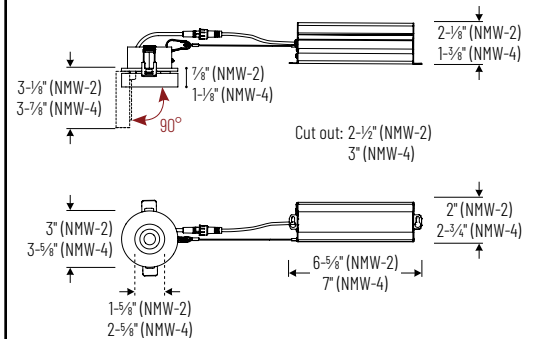
Delivered lumens will vary depending on CCT and finish

PRODUCT IMAGES AND DIMENSIONS



NMW-2
2" Adjustable
750lm

NMW-4
4" Adjustable
1250lm



NMWA-2OPT
Replacement Optic
for NMW-2



NMWA-4OPT
Replacement Optic
for NMW-4

M-Wave Can-less Adjustable LED Downlight

Aperture Size	Color Temperature / CRI	Finish
NMW-2 = 2" M-Wave	27 = 2700K / 90 CRI	B = Matte Black
NMW-4 = 4" M-Wave	30 = 3000K / 90 CRI	MPW = Matte Powder White

Optional Mounting Accessories

Accessory Type
NF-R124 = New Construction Frame-In for NMW-4
NCA-EW-4 = 4' Quick Connect Extension Cable
NCA-EW-10 = 10' Quick Connect Extension Cable
NMWA-2OPTSP = Narrow Spot Optic for NMW-2
NMWA-2OPTNFL = Spot Optic for NMW-2
NMWA-4OPTSP = Narrow Spot Optic for NMW-4
NMWA-4OPTNFL = Spot Optic for NMW-4

Example: **NMW-230MPW** = 2" M-Wave Can-less Adjustable LED Downlight, 750lm / 9W, 3000K, Matte Powder White

NMW

M-Wave Can-less Adjustable LED Downlight Accessories

Type	
Project	
Catalog No.	
Notes	



Narrow Spot Replacement Optic for NMW

NMWA-20PTSP
NMWA-40PTSP

2" Narrow Spot Optic
4" Narrow Spot Optic

Replacement optics for M-Wave can-less adjustable downlights.



Spot Replacement Optic for NMW

NMWA-20PTNFL
NMWA-40PTNFL

2" Spot Optic
4" Spot Optic

Replacement optics for M-Wave can-less adjustable downlights.



New Construction Frame-In for NMW-4

NF-R124

New construction frame-in can be used to assist installing can-less recessed downlighting. Helps indicate wiring location and cutting guide.

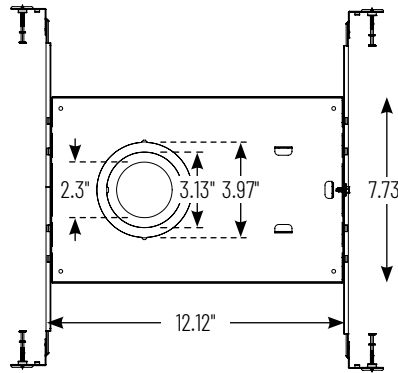


Quick Connect Extension Linkable Cables

NMA-EW-4
NMA-EW-10

4' Cable
10' Cable

Use to extend the length between luminaire and driver enclosure. Can be connected together to create custom lengths. Maximum length between luminaire and driver is 40'. For longer remote driver remote run length, consult factory.



PHOTOMETRICS

2" M-Wave Can-less Adjustable LED Downlight

Type

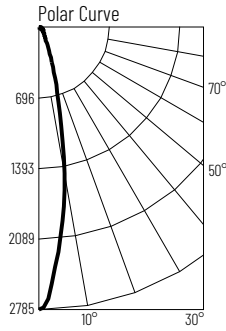
Project

Catalog No.

Notes

Test Information

Test Number: NTR2018R1
 Part Number: NMW-230MPW
 Beam Spread: 21° Narrow Spot
 Lumens: 745lm
 Wattage: 9.29W
 Efficacy: 80lpw
 CCT / CRI: 3000K / 90 CRI
 Spacing Criteria (0°-180°): 0.36
 Spacing Criteria (90°-270°): 0.36



Illuminance at a Distance

Distance from Luminaire	FC at Nadir	Beam Diameter
4'	174fc	1'-6"
6'	77.4fc	2'-2"
8'	43.5fc	3'
10'	27.9fc	3'-8"
12'	19.3fc	4'-5"

Zonal Lumen Summary

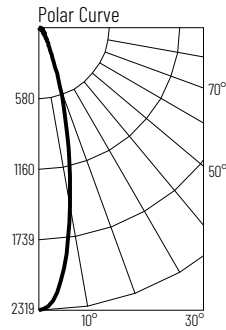
Zone	Lumens	% Luminaire
0-30	522	70.2
0-40	589	79.1
0-60	685	92
0-90	745	100
90-180	0	0
0-180	745	100

Candela Table

Vertical Angles	Candela
0	2785
5	2225
15	764
25	223
35	102
45	71

Test Information

Test Number: NTR2017R1
 Part Number: NMW-230MPW
 Beam Spread: 26° Spot
 Lumens: 787lm
 Wattage: 9.31W
 Efficacy: 84lpw
 CCT / CRI: 3000K / 90 CRI
 Spacing Criteria (0°-180°): 0.44
 Spacing Criteria (90°-270°): 0.44



Illuminance at a Distance

Distance from Luminaire	FC at Nadir	Beam Diameter
4'	145fc	1'-10"
6'	64.4fc	2'-10"
8'	36.2fc	3'-8"
10'	23.2fc	4'-7"
12'	16.1fc	5'-6"

Zonal Lumen Summary

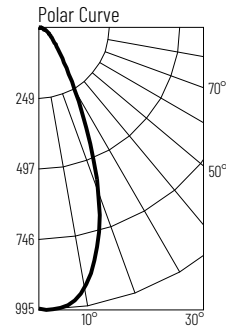
Zone	Lumens	% Luminaire
0-30	571	72.6
0-40	643	81.8
0-60	735	93.4
0-90	787	100
90-180	0	0
0-180	787	100

Candela Table

Vertical Angles	Candela
0	2318
5	2119
15	931
25	266
35	109
45	65

Test Information

Test Number: NTR2016R1
 Part Number: NMW-230MPW
 Beam Spread: 45° Narrow Flood
 Lumens: 775lm
 Wattage: 9.32W
 Efficacy: 83lpw
 CCT / CRI: 3000K / 90 CRI
 Spacing Criteria (0°-180°): 0.74
 Spacing Criteria (90°-270°): 0.76



Illuminance at a Distance

Distance from Luminaire	FC at Nadir	Beam Diameter
4'	61.9fc	3'-4"
6'	27.5fc	5'
8'	15.5fc	6'-8"
10'	9.9fc	8'-4"
12'	6.9fc	10'

Zonal Lumen Summary

Zone	Lumens	% Luminaire
0-30	501	64
0-40	610	78
0-60	725	92.7
0-90	782	100
90-180	0	0
0-180	782	100

Candela Table

Vertical Angles	Candela
0	990
5	978
15	792
25	409
35	167
45	87

Lumen Output Multipliers

Color Temperature: 2700K (0.96), 3000K (1.00)

PHOTOMETRICS

4" M-Wave Can-less Adjustable LED Downlight

Type

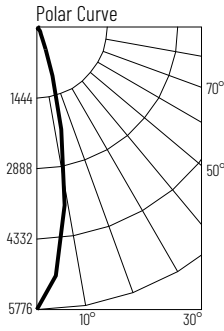
Project

Catalog No.

Notes

Test Information

Test Number: NTR2030R1
 Part Number: NMW-430MPW
 Beam Spread: 23° Narrow Spot
 Lumens: 1310lm
 Wattage: 13.86W
 Efficacy: 95lpw
 CCT / CRI: 3000K / 90 CRI
 Spacing Criteria (0°-180°): 0.4
 Spacing Criteria (90°-270°): 0.4



Illuminance at a Distance

Distance from Luminaire	FC at Nadir	Beam Diameter
4'	361fc	1'-7"
6'	160fc	2'-5"
8'	90.2fc	3'-2"
10'	57.8fc	4'
12'	40.1fc	4'-10"

Zonal Lumen Summary

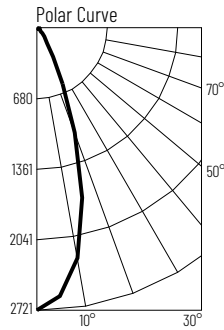
Zone	Lumens	% Luminaire
0-30	1063	81.2
0-40	1155	88.1
0-60	1262	96.4
0-90	1310	100
90-180	0	0
0-180	1310	100

Candela Table

Vertical Angles	Candela
0	5776
5	4937
15	1776
25	367
35	129
45	65

Test Information

Test Number: NTR2029R1
 Part Number: NMW-430MPW
 Beam Spread: 35° Spot
 Lumens: 1276lm
 Wattage: 13.85W
 Efficacy: 92lpw
 CCT / CRI: 3000K / 90 CRI
 Spacing Criteria (0°-180°): 0.6
 Spacing Criteria (90°-270°): 0.6



Illuminance at a Distance

Distance from Luminaire	FC at Nadir	Beam Diameter
4'	170fc	2'-7"
6'	75.6fc	3'-10"
8'	42.5fc	5'-1"
10'	27.2fc	6'-5"
12'	18.9fc	7'-8"

Zonal Lumen Summary

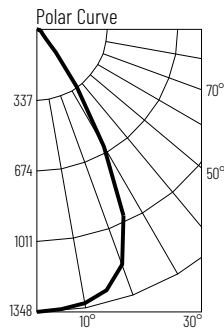
Zone	Lumens	% Luminaire
0-30	995	78
0-40	1118	87.6
0-60	1220	95.6
0-90	1276	100
90-180	0	0
0-180	1276	100

Candela Table

Vertical Angles	Candela
0	2721
5	2595
15	1692
25	597
35	180
45	74

Test Information

Test Number: NTR2028R1
 Part Number: NMW-430MPW
 Beam Spread: 59° Narrow Flood
 Lumens: 1274lm
 Wattage: 13.87W
 Efficacy: 92lpw
 CCT / CRI: 3000K / 90 CRI
 Spacing Criteria (0°-180°): 0.98
 Spacing Criteria (90°-270°): 0.98



Illuminance at a Distance

Distance from Luminaire	FC at Nadir	Beam Diameter
4'	84.2fc	4'-6"
6'	37.4fc	6'-10"
8'	21.1fc	9'-1"
10'	13.5fc	11'-4"
12'	9.4fc	13'-7"

Zonal Lumen Summary

Zone	Lumens	% Luminaire
0-30	920	72.2
0-40	1142	89.6
0-60	1231	96.7
0-90	1274	100
90-180	0	0
0-180	1274	100

Candela Table

Vertical Angles	Candela
0	1348
5	1340
15	1290
25	979
35	334
45	67

Lumen Output Multipliers

Color Temperature: 2700K (0.98), 3000K (1.00)