

# NHAPIC-3R

## 3" Apollo Round IC Air-Tight New Construction Housing

Source: 10W to 20W LED  
1000lm to 2000lm

Type

Project

Catalog No.

Notes

### SPECIFICATION

**Precise Aiming:** Hot-aiming adjustment allows for 361° horizontal rotation and 45° vertical aiming. Optimized TIR optics directs the light through the center of the aperture for maximum efficiency and low aperture brightness.

**Housing:** Aluminum housing can be installed in ceiling thicknesses up to 2". Housing collar accessories are also available. Driver and LED are serviceable from below the ceiling.

**Air Flow Restriction:** Meets requirements of Air-Tight (AT) <2CFM (cubic feet per minute) in accordance with ASTM-283 Air-Tight requirements.

**Clearance:** "IC" Insulated ceiling housings are direct contact rated. Not to be used in direct contact with spray foam insulation.

**Bar Hangers:** Two 13-3/4" to 24-1/2" adjustable bar hangers with captive nails are included on housing. "L"-shaped bar hanger foot to align to bottom of construction joist. A T-bar notch allows for easy installation in a suspended ceiling.

**Junction Box:** Pre-wired 25 cubic inch 0.064" thick galvanized steel, with seven 1/2" knockouts and snap on covers. All leads are #18AWG wire, the ground wire is connected to the bottom, and quick connectors are supplied on all leads. Maximum of 8 no. 12 AWG through branch circuit conductors suitable for at least 90°C permitted in junction box. Junction box is accessible from the room side through housing opening.

**Romex Strain Relief:** Junction box includes two Romex tabs with two slots at each tab for NM-cables of 12/2 to 14/2. The strain relief allows for easy installation and less materials.

### ELECTRICAL

**Input Voltage:** 120V, 120-277V or 120/277V

**Lumens / Wattage:**

1000lm / 10W (L1), 1500lm / 15W (L2), or 2000lm / 20W (L3)

**Color Temperature:** 2700K, 3000K, 3500K, 4000K

**Color Rendering Index:** 90+ CRI

**Dimming:** Phase, 0-10V, Casambi, DALI or Lutron

[Click Here](#) or check complete dimmer list at

www.NoraLighting.com in the "Compatibility" page under "Resources" tab

### COMPATIBLE TRIMS

CATALOG NO. DESCRIPTION

[NAPF-3RDN](#) 3" Flanged Round Downlight

[NAPF-3RPH](#) 3" Flanged Round Pinhole

[NAPF-3RWW](#) 3" Flanged Round Wall Wash

[NAPT-3RDN](#)

3" Trimless / Wood Ceiling Round Downlight

[NAPT-3RPH](#) 3" Trimless / Wood Ceiling Round Pinhole

[NAPT-3RWW](#) 3" Trimless / Wood Ceiling Round Wall Wash

### OPTIONAL ACCESSORIES

[NAPC-3R:](#) Extension Collar for Housings

[NAPC-3RDSLEEVE:](#) Sleeve Shade for Housings

[NAPO-3D:](#) Field Changeable TIR Optics

[NAP-TLMR-3R:](#) Trimless Mud Plate

### LABELS AND LISTINGS

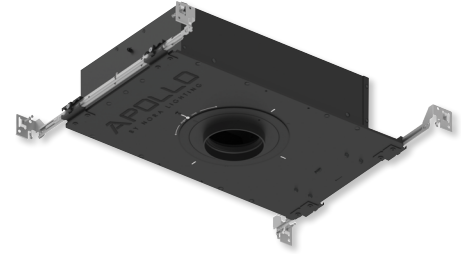
- cULus Listed for Damp Locations (Wet Locations when used with Clear Lens)
- [5-Year Limited Warranty](#)
- RoHS compliant
- FCC compliant
- Meets or exceeds ASTM-283 Air-Tight requirements



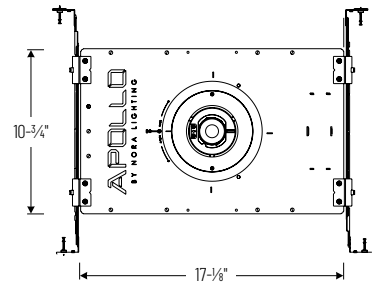
ELECTRICAL	P	C	CO1	CAS	DAL	AWNR	L01
<b>Input Voltage</b>	120V	120-277V	120-277V	120/277V	120-277V	120-277V	120/277V
<b>Compatible Wattages</b>	10W to 20W	10W to 20W	10W to 20W	15W to 20W	15W to 20W	10W to 20W	10W to 20W
<b>Dimming</b>	Triac / ELV	0-10V	0-10V	Casambi	DALI 2	Athena	EcoSystem
<b>Operating Temp.</b>	0°-35°C	0°-30°C	0°-25°C	0°-35°C		0°-30°C	0°-25°C
<b>Power Factor</b>	≥0.90						

# APOLLO

## PRODUCT IMAGES AND DIMENSIONS



Ceiling Cut-Out:  
3-3/8"



## 3" Apollo Round IC Air-Tight New Construction Housing

Ceiling Thickness	Lumens / Wattage	CCT	Beam Spread	Input Voltage / Dimming
<b>NHAPIC-3R05</b> = 0.5" to 0.875"	<b>L1</b> = 1000lm / 10W	<b>27</b> = 2700K	<b>250</b> = 26° Spot	<b>P</b> = 120V; Phase (3%)
<b>NHAPIC-3R10</b> = 0.875" to 1.25"	<b>L2</b> = 1500lm / 15W	<b>30</b> = 3000K	<b>400</b> = 38° Narrow Flood	<b>C</b> = 120-277V; 0-10V (1%)
<b>NHAPIC-3R15</b> = 1.25" to 1.625"	<b>L3</b> = 2000lm / 20W	<b>35</b> = 3500K	<b>550</b> = 55° Flood	<b>CO1</b> = 120-277V; 0-10V (0.1%)
<b>NHAPIC-3R20</b> = 1.625" to 2"		<b>40</b> = 4000K		<b>CAS</b> = 120/277V; Casambi (1%) <sup>1</sup>
				<b>DAL</b> = 120-277V; DALI-2 (1%) <sup>1</sup>
				<b>AWNR</b> = 120-277V; Lutron Athena (1%)
				<b>L01</b> = Lutron EcoSystem 120/277V (0.1%)

**Notes:**

<sup>1</sup> CAS & DAL not available with 1000lm (L1)

## Accessories

Description
<b>NAPC-3R05</b> = Ceiling Extension Collar (0.5" to 0.875")
<b>NAPC-3R10</b> = Ceiling Extension Collar (0.875" to 1.25")
<b>NAPC-3R15</b> = Ceiling Extension Collar (1.25" to 1.625")
<b>NAPC-3R20</b> = Ceiling Extension Collar (1.625" to 2")
<b>NAPO-3D25</b> = Replacement 26° TIR Optic
<b>NAPO-3D40</b> = Replacement 38° TIR Optic
<b>NAPO-3D55</b> = Replacement 55° TIR Optic
<b>NAP-TLMR-3R</b> = Round Trimless Mud Plate
<b>NAP-3RDSLEEVE</b> = Round Sleeve Shade for Housing Components

## 3" Apollo Round Trims

Ceiling Type	Trim Type	Finish	Optional Lens
<b>NAPF-3R</b> = Flanged	<b>DN</b> = Downlight	<b>B</b> = Black	<b>(blank)</b> = No Lens
<b>NAPT-3R</b> = Trimless & Wood Ceiling	<b>PH</b> = Pinhole	<b>BZ</b> = Bronze	<b>/CL</b> = Clear Lens (Wet Location)
	<b>WW</b> = Wall Wash	<b>HZ</b> = Haze <sup>2</sup>	
		<b>HZMPW</b> = Haze / Matte Powder White <sup>2</sup>	
		<b>MPW</b> = Matte Powder White	
		<b>WD</b> = Wheat Diffused	

**Notes:**

<sup>2</sup> HZ & HZMPW available with downlight (DN) only

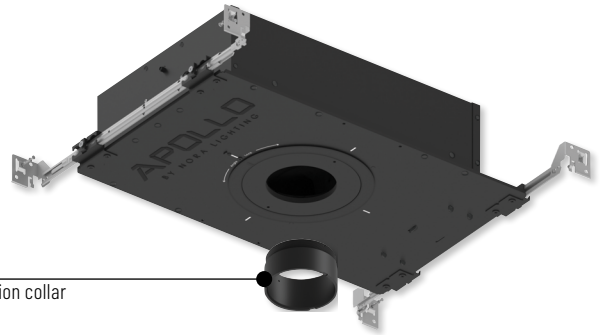
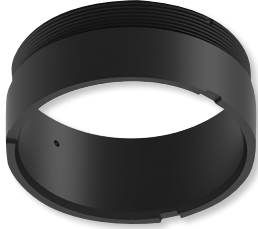
Example: **NHAPIC-3R05L33025DP / NAPF-3RDNMPW** = 3" Apollo Round IC Air-Tight New Construction Housing, 2000lm / 20W, 3000K, Spot Optic, 120V input; Phase dimming / 3" Flanged Downlight, Matte Powder White Finish

# NHAPIC-3R Accessories

3" Apollo Round IC Air-Tight New Construction Housing

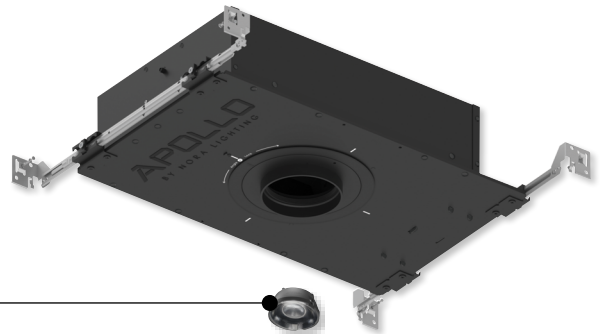
Type	_____
Project	_____
Catalog No.	_____
Notes	_____

- NAPC-3R05** 0.5" to 0.875" Ceiling Extension Collar
- NAPC-3R10** 0.875" to 1.25" Ceiling Extension Collar
- NAPC-3R15** 1.25" to 1.625" Ceiling Extension Collar
- NAPC-3R20** 1.625" to 2" Ceiling Extension Collar



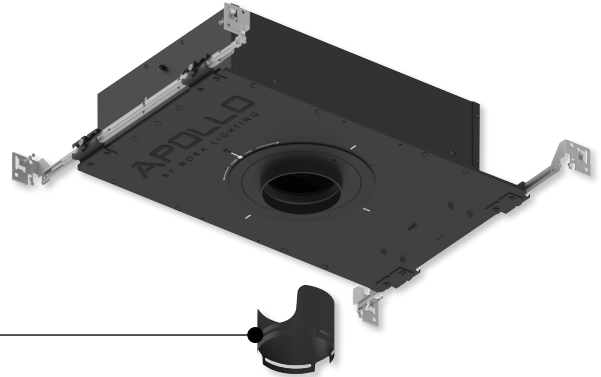
Field changeable extension collar

- NAPO-3D25** Replacement 26° TIR Optic
- NAPO-3D40** Replacement 38° TIR Optic
- NAPO-3D55** Replacement 55° TIR Optic



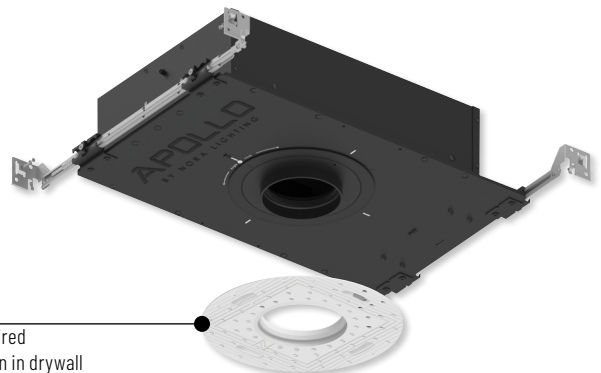
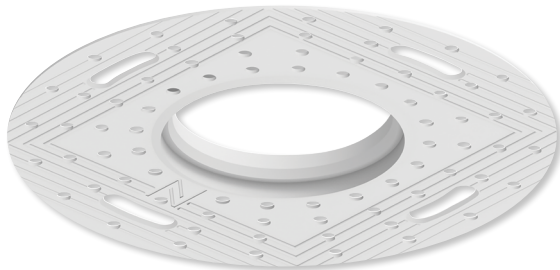
Field changeable optics

**NAP-3RDSLEEVE** Round sleeve shade to shield housing components



Sleeve shade covers housing components

**NAP-TLMR-3R** Round trimless mud plate for installation in gypsum with plaster.



Trimless mud plate required for flangeless installation in drywall