

NIO-4SW

4" Iolite Square Wall Wash Reflector

Source: 14W LED

800lm or 1000lm

Type

Project

Catalog No.

Notes

PRODUCT DESCRIPTION

4" Iolite Wall wash reflectors can be specified for use with Iolite new construction housings. Wall wash reflector to illuminate a wall evenly at a fixed angle.

FEATURES

- 800lm / 14W or 1000lm / 14W
- 2700K, 3000K, 3500K, 4000K, 5000K @ 90+ CRI
- Cree® LED COB or Comfort Dim Technology
- 60° (Flood) optic installed, 38° (Narrow flood) and 25° (Spot) optics included
- 5-Year limited warranty

SPECIFICATION

Construction: Reflectors are constructed of heat dissipating, die-cast aluminum. The aluminum die-cast LED heat sink is threaded to fit the reflector and transfer heat.

Mounting: Reflector includes friction blades to mount securely to housing.

Field Changeable Optics: Each reflector comes with a 60° flood (installed), 38° narrow flood and 25° spot optics (included).

ELECTRICAL

Lumens / Wattage: 800lm or 1000lm / 14W

Color Temperature: 2700K, 3000K, 3500K, 4000K, 5000K

CRI: 90+CRI

Operating Temp.: Specified by housing

Lifetime: 50,000 hours @ L70

Comfort Dim: Comfort Dim color tunes the temperature from a bright 3100K, to a romantic and comfortable 2000K on a gradual, even curve. Available in 800lm only.

Dimming: Specified by housing

COMPATIBLE HOUSINGS

Reflectors are compatible with respective Iolite housings manufactured by Nora Lighting.

CATALOG NO.	DESCRIPTION	LUMENS / WATTAGE
NHIOICD-48	ICAT New Construction	800-1000lm / 14W
NHIOICDCP-48	Chicago Plenum	800-1000lm / 14W

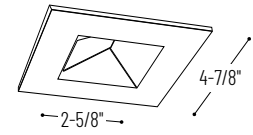
Accessories: Flush mount mud ring is available to give the appearance of a trimless reflector.

LABELS AND LISTINGS

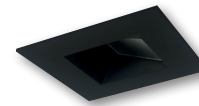
- cULus Listed for Wet Locations
- ENERGY STAR certified
- [5-Year Limited Warranty](#)
- RoHS Compliant
- Can be used to comply with 2019 Title 24 - part 6 High Efficacy LED light source requirements



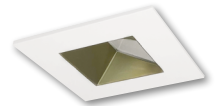
PRODUCT IMAGES & DIMENSIONS



NIO-4SW
Square Wall Wash Reflector
Non-Adjustable



BB
Black Reflector
Black Flange



CHMPW
Champagne Haze Reflector
Matte Powder White Flange



HW
Haze Reflector
White Flange



HZMPW
Haze Reflector
Matte Powder White Flange



MPW
Matte Powder White Reflector
Matte Powder White Flange



WW
White Reflector
White Flange

4" Iolite Square Wall Wash Reflector - Dedicated Housing Required

Reflector Type	Color Temp.	Finish	Lumens / Wattage
NIO-4SW = Square Wall Wash Reflector	27X = 2700K	BB = Black / Black	(blank) = 800lm / 14W
	30X = 3000K	CHMPW = Champagne / Matte Powder White	/10 = 1000lm / 14W
	35X = 3500K	HW = Haze / White	
	40X = 4000K	HZMPW = Haze / Matte Powder White	
	50X = 5000K	MPW = Matte Powder White	
	CDX = Comfort Dim [†]	WW = White / White	

[†] Comfort Dim technology available in 800lm & uses non-Cree COB modules. 1" & 2" Iolite uses a different dimming curve than 4" Comfort Dim

Example: **NIO-4SW27XWW** = 4" Iolite Square Wall Wash Reflector, 2700K, White finish, 800lm / 14W

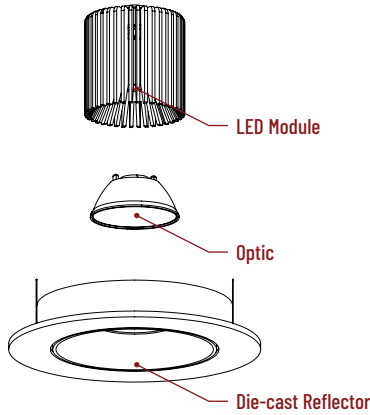
4" Iolite Accessories

4" Iolite Square Wall Wash Reflector

Type	
Project	
Catalog No.	
Notes	

FIELD CHANGEABLE OPTICS

Iolite reflectors include 25°, 38° and 60° optics. Optics can be changed in the field by removing LED module from die-cast reflector. Replacement optics include an optional frosted lens.



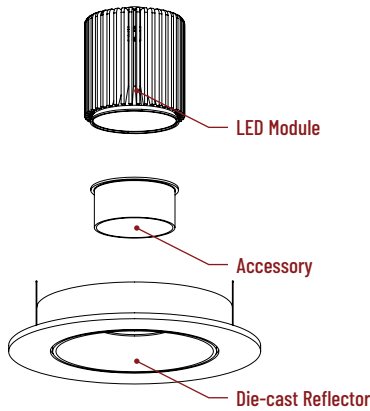
Frosted Filter-Optic

NIO-REFL15FR	15° Optic
NIO-REFL25FR	25° Optic
NIO-REFL38FR	38° Optic
NIO-REFL60FR	60° Optic

Optic assembly includes optional frosted lens. 25°, 38° and 60° optics are included with each reflector.

ACCESSORIES

Iolite accessories can be added at any point in the design process. Accessories easily install between LED module and die-cast reflector. Luminaire will accommodate (1) hex louver, no accessory holder required.



Hex Cell Louver

NIO-HC	Black
---------------	-------

Hex cell louver subtly reduces aperture brightness by reducing light output by about 20%.

FLUSH MOUNT

4" Iolite reflectors can be installed flush with the drywall for a flush mount appearance. A flush mount mud ring is installed after the drywall and a professional drywall finisher floats the ceiling to blend in the mud ring.



Flush Mount Mud Ring

NIO-FMMR-4S	Square Mud Ring
--------------------	-----------------

Mounts reflector flush to ceiling with flange visible. Mud ring attaches to drywall. **Only for use with NHIOICD-48 or NHIOICDCP-48 new construction housings and NIO-4S reflectors.** Dimensions: 7-7/8" diameter 1/2" thick