

# NIO-4RTLA

## 4" Iolite Round Trimless Adjustable

Source: 14W to 24W LED  
800lm to 2000lm

Type

Project

Catalog No.

Notes

### PRODUCT DESCRIPTION

4" Trimless Iolite downlights have no exposed trim flange and do not extend beyond the ceiling plane. Iolite Trimless requires a Trimless Mud Ring and New Construction housing. Regressed cone reflector optimizes visual cut-off and adjust up to 35°.

### FEATURES

- Trimless knife edge appearance
- 800lm, 1000lm, 1500lm or 2000lm LED packages
- 2700K, 3000K, 3500K, 4000K, 5000K @ 90+ CRI
- Comfort Dim (warm dimming) also available
- Flood optic, narrow flood and spot optics (included)
- 5-Year limited warranty

### SPECIFICATION

**Construction:** Trims are constructed of heat dissipating, die-cast aluminum. The aluminum die-cast LED heat sink is threaded to fit the reflector and transfer heat.

**Mounting:** Luminaire includes stainless steel friction clips to mount securely to trimless mud ring. Mud ring is required per trimless downlight.

### OPTICS

**800-1000lm:** Each luminaire includes field changeable optics (25° spot, 38° narrow flood and 60° flood - preinstalled). Premium 15° and 25° TIR optics are available, see page 2. 10° Narrow spot optic, [Click Here](#) for more information.

**1500-2000lm:** Each reflector includes field changeable TIR optics (30° spot, 45° narrow flood - preinstalled and 65° flood).

### ELECTRICAL

**Lumens / Wattage:** 800lm / 14W, 1000lm / 14W, 1500lm / 20W, 2000lm / 24W

**Color Temperature:** 2700K, 3000K, 3500K, 4000K, 5000K

**Color Rendering Index:** 90+CRI

**Operating Temperature:** Specified by housing

**Lifetime:** 50,000 hours @ L70

**Comfort Dim:** Comfort Dim color tunes the temperature from a bright 3100K (800lm) or 3000K (HL), to a romantic and comfortable 2000K on a gradual, even curve. Available in 800lm or HL (1500lm-2500lm).

**Dimming:** Specified by housing

### COMPATIBLE HOUSINGS

Luminaires are compatible with respective Iolite housings manufactured by Nora Lighting.

CATALOG NO.	DESCRIPTION	LUMENS / WATTAGE
<a href="#">NHIOICD-48</a>	ICAT New Construction	800-1000lm / 14W
<a href="#">NHIOICDP-48</a>	Chicago Plenum	800-1000lm / 14W
<a href="#">NHIOICD-415</a>	ICAT New Construction	1500lm / 20W
<a href="#">NHIOICDP-415</a>	Chicago Plenum	1500lm / 20W
<a href="#">NHIOICD-420</a>	ICAT New Construction	2000lm / 24W
<a href="#">NHIOICDP-420</a>	Chicago Plenum	2000lm / 24W

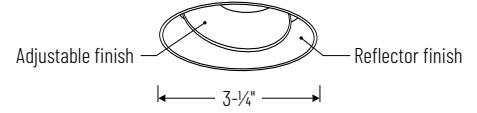
**Accessories:** Reflectors will accommodate (1) hex louver and (1) translucent deco collar or opaque snoot, no accessory holder is required, see page 3. A trimless mud ring is required per reflector.

### LABELS AND LISTINGS

- cULus Listed for Damp Locations
- [5-Year Limited Warranty](#)
- RoHS Compliant
- Certified to the high efficacy requirements of California Title 24 JA8-2022



### PRODUCT IMAGES AND DIMENSIONS



#### NIO-4RTLA

Round Trimless Adjustable

Adjustability: 35° (800-1000lm) / 20° (1500-2000lm)



**BB**

Black Adjustable  
Black Reflector



**BW**

Black Adjustable  
White Reflector



**BZ**

Bronze Adjustable  
Bronze Reflector



**CH**

Champagne Haze Adjustable  
Champagne Haze Reflector



**CHMPW**

Champagne Haze Adjustable  
Matte Powder White Reflector



**HW**

Haze Adjustable  
White Reflector



**HZ**

Haze Adjustable  
Haze Reflector



**HZMPW**

Haze Adjustable  
Matte Powder White Reflector



**MPW**

Matte Powder White Adjustable  
Matte Powder White Reflector



**WW**

White Adjustable  
White Reflector

### 4" Iolite Round Trimless Adjustable Reflector - New Construction Housing & Trimless Mud Ring Required

Color Temperature	Finish	Lumens / Wattage
<b>NIO-4RTLA50X</b> = 5000K*	<b>BB</b> = Black	(blank) = 800lm / 14W
<b>NIO-4RTLACDX</b> = Comfort Dim†	<b>BW</b> = Black / White	
	<b>BZ</b> = Bronze	
	<b>CH</b> = Champagne Haze	
<b>NIO-4RTLA27X</b> = 2700K	<b>CHMPW</b> = Champagne Haze / Matte Powder White	/10 = 1000lm / 14W
<b>NIO-4RTLA30X</b> = 3000K	<b>HW</b> = Haze / White	/HL = 1500-2000lm
<b>NIO-4RTLA35X</b> = 3500K	<b>HZ</b> = Haze	(varies by housing)
<b>NIO-4RTLA40X</b> = 4000K	<b>HZMPW</b> = Haze / Matte Powder White	
<b>NIO-4RTLA50X</b> = 5000K	<b>MPW</b> = Matte Powder White	
<b>NIO-4RTLACDX</b> = Comfort Dim†	<b>WW</b> = White	

\* 5000K LED modules in 800lm are while supplies last

† Comfort Dim available in 800lm only and † Iolite uses a different dimming curve than 2" & 4" Iolite

### Compatible Housings

Housing Type
<b>NHIOICD-48</b> = ICAT New Construction / 800-1000lm / 14W
<b>NHIOICDP-48</b> = Chicago Plenum / 800-1000lm / 14W
<b>NHIOICD-415</b> = ICAT New Construction / 1500lm / 20W
<b>NHIOICDP-415</b> = Chicago Plenum / 1500lm / 20W
<b>NHIOICD-420</b> = ICAT New Construction / 2000lm / 24W
<b>NHIOICDP-420</b> = Chicago Plenum / 2000lm / 24W

### 4" Iolite Trimless Mud Ring

Description
<b>NIO-TLMR-4RA</b> = 4" Round Trimless Mud Ring

Example: **NIO-4RTLA50XWW / NIO-TLMR-4RA** = 4" Iolite Round Trimless Adjustable Reflector, 5000K, White finish, 800lm / 4" Round Trimless Mud Ring

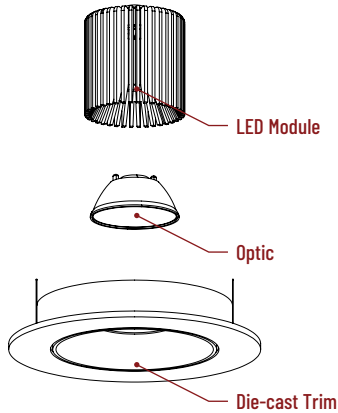
# 4" Iolite Accessories

## 4" Iolite Round Trimless Adjustable

Type
Project
Catalog No.
Notes

### FIELD CHANGEABLE OPTICS

Iolite luminaires include spot, narrow flood and flood optics. Optics can be changed in the field by removing LED module from die-cast trim. Optional frosted and TIR optics are also available.  
**Note: Frosted optics and Premium TIR optics are not compatible with /HL LED modules.**



#### Frosted Optic

**NIO-REFL38FR** 60° Optic  
**NIO-REFL60FR** 73° Optic  
**Not compatible with /HL LED module.**

#### Premium TIR Optics

**NIO-REFLTIR15** 22° Optic  
**NIO-REFLTIR25** 26° Optic  
**Not compatible with /HL, Comfort Dim (CDX) LED modules or Hex Cell Louver.**

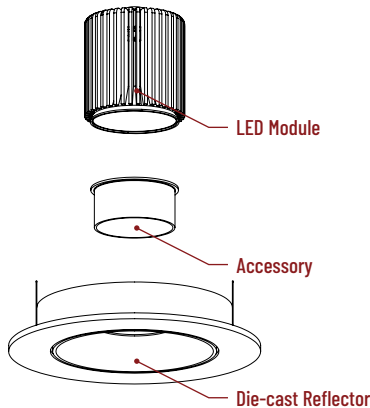
#### 10° TIR Optic Assembly

Specialized narrow spot LED module assembly is also available. Requires LE4 housing. [Click Here](#) for more information.



### ACCESSORIES

Iolite accessories can be added at any point in the design process. Accessories easily install between LED module and die-cast trim. Luminaire will accommodate (1) hex louver and (1) collar accessory, no accessory holder required.



#### Translucent Decorative Collar

**NIO-AS14(color)** 5/8" length  
**NIO-AS19(color)** 3/4" length  
**NIO-AS26(color)** 1" length  
**Color:** AM (amber), BLU (blue), FR (frosted), R (red)  
 Translucent collars color the aperture with the specified color while producing white general light. Collars are available in different lengths. Use to add interest, create a theme, match a theme or define a space.

#### Opaque Collar Snoot

**NIO-AS14(color)** 5/8" length  
**NIO-AS19(color)** 3/4" length  
**NIO-AS26(color)** 1" length  
**Color:** MPW (matte powder white), WH (white)  
 Opaque snoot greatly reduces aperture brightness while preserving light output.

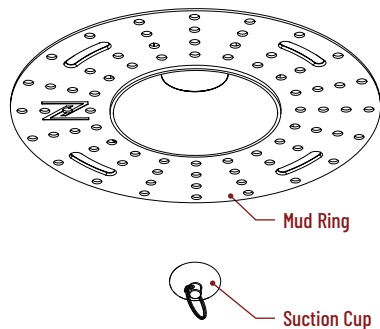
#### Hex Cell Louver

**NIO-HC** Black  
 Hex cell louver subtly reduces aperture brightness by reducing light output by about 20%.  
**Hex cell louver is not compatible with TIR optics.**



### TRIMLESS

4" Iolite trimless reflectors have no exposed trim flange and the result is a minimalist knife edge appearance. A trimless mount mud ring is installed after the drywall and a professional drywall finisher floats the ceiling to blend in the mud ring.



#### Trimless Mount Mud Ring

**NIO-TLMR-4RA** Round Mud Ring  
 Mounts trimless reflector with no exposed flange and no extension beyond ceiling plane. Mud ring attaches to drywall. **Only for use with NHIOICD-48, NHIOICDCP-48, NHIOICD-415, NHIOICDCP-415, NHIOICD-420 or NHIOICDCP-420 new construction housings and NIO-4RTL reflectors.** Dimensions: 7-7/8" diameter 1/2" thick

#### Suction Cup for Removal

**NIO-TLSUCTION**  
 Assist removing trimless reflector from finished ceiling after installation. For maintenance on trimless reflector.



# PHOTOMETRICS

## 4" Iolite Round Trimless Adjustable

Type

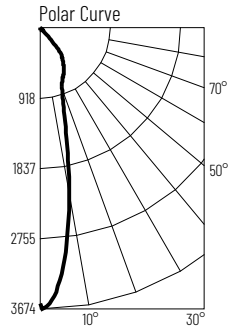
Project

Catalog No.

Notes

### Test Information

Test Number: NTR1677R1  
 Part Number: N10-4RTLA40XWW/10  
 Beam Spread: 24° Flood  
 Lumens: 1436lm  
 Wattage: 14.04W  
 Efficacy: 102lpw  
 CCT / CRI: 4000K / 90 CRI  
 Spacing Criteria (0°-180°): 0.4  
 Spacing Criteria (90°-270°): 0.42



### Illuminance at a Distance

Distance from Luminaire	FC at Nadir	Beam Diameter
2'	902fc	0'-10"
4'	225fc	1'-8"
6'	100fc	2'-6"
8'	56.4fc	3'-4"
10'	36.1fc	4'-1"

### Zonal Lumen Summary

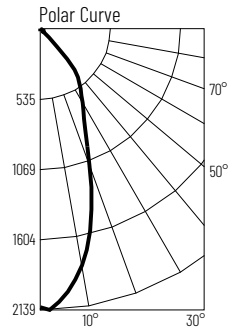
Zone	Lumens	% Luminaire
0-30	966	67.3
0-40	1287	89.6
0-60	1414	98.4
0-90	1431	99.6
90-180	5.5	0.4
0-180	1436	100

### Candela Table

Vertical Angles	Candela
0	3607
5	3176
15	1251
25	700
35	508
45	93

### Test Information

Test Number: NTR1678R1  
 Part Number: N10-4RTLA40XWW/10  
 Beam Spread: 41° Flood  
 Lumens: 1448lm  
 Wattage: 14.09W  
 Efficacy: 103lpw  
 CCT / CRI: 4000K / 90 CRI  
 Spacing Criteria (0°-180°): 0.66  
 Spacing Criteria (90°-270°): 0.68



### Illuminance at a Distance

Distance from Luminaire	FC at Nadir	Beam Diameter
2'	530fc	1'-6"
4'	133fc	2'-11"
6'	58.9fc	4'-5"
8'	33.1fc	5'-11"
10'	21.2fc	7'-5"

### Zonal Lumen Summary

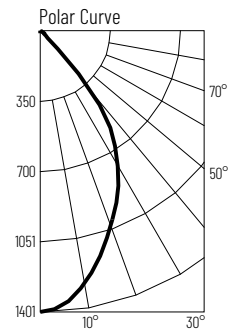
Zone	Lumens	% Luminaire
0-30	962	66.5
0-40	1284	88.7
0-60	1422	98.2
0-90	1443	99.6
90-180	5.17	0.4
0-180	1448	100

### Candela Table

Vertical Angles	Candela
0	2120
5	2013
15	1474
25	748
35	514
45	102

### Test Information

Test Number: NTR1679R1  
 Part Number: N10-4RTLA40XWW/10  
 Beam Spread: 65° Flood  
 Lumens: 1433lm  
 Wattage: 14.06W  
 Efficacy: 102lpw  
 CCT / CRI: 4000K / 90 CRI  
 Spacing Criteria (0°-180°): 0.92  
 Spacing Criteria (90°-270°): 0.92



### Illuminance at a Distance

Distance from Luminaire	FC at Nadir	Beam Diameter
2'	350fc	2'-7"
4'	87.5fc	5'-1"
6'	38.9fc	7'-8"
8'	21.9fc	10'-2"
10'	14.0fc	12'-10"

### Zonal Lumen Summary

Zone	Lumens	% Luminaire
0-30	869	60.7
0-40	1222	85.3
0-60	1406	94.7
0-90	1427	99.6
90-180	5.41	0.4
0-180	1433	100

### Candela Table

Vertical Angles	Candela
0	1401
5	1366
15	1162
25	914
35	626
45	125