

# UHX SERIES INDUSTRIAL LIGHTING

UHX-230W-MP-40K  
UHX-230W-MP-50K

Customer Name: \_\_\_\_\_

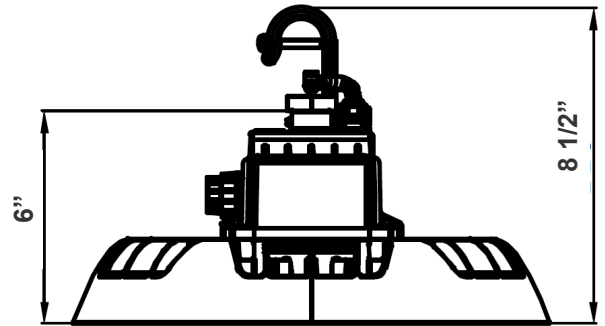
Project Name: \_\_\_\_\_

Note: \_\_\_\_\_

Type: \_\_\_\_\_



Selection:



8 1/2" (H) X 14 3/5" (D)

In a aluminium shell designed for heat dissipation, UHX is IP65 water resistant rated and ideal for general site lighting, alleys, loading docks, doorways, pathways, parking areas, warehouses and storage buildings.

## Features

- Waterproof design, suitable for wet locations
- ADC12 Aluminum Heat Sink, Outdoor Powder Coating Finish
- Optical Lens: PC Materials High Light Transmittance, Anti-UV, Fire-Resistant
- Multi Power (Selectable Switch Located On The Driver Housing)

## Technical Specifications

### Electrical:

- Input Wattage: 100W/150W/200W/230W
- Input Voltage: 120-277V AC 50/60Hz
- Power Factor: >0.9
- THD: <20%
- Efficacy: 155/150/145/140 LPW

### Mechanical:

- ADC12 Aluminum Heat Sink, Outdoor Powder Coating Finish
- Optical Lens: PC Materials High Light Transmittance, Anti-UV, Fire-Resistant
- 3' SJTW 18,3 AWG Power Cable
- 6' SJTW Dimming Cable
- LED: LUMILEDS 2835
- LED PCB Board: High Conductive, Waterproof, Aging Resistance, salt mist Resistance, Ensure the Safety and Long Lifespan
- Operating temperature: -40°F to 122°F
- IP rating: IP65, Wet Locations
- 5-Year Warranty

### Lighting:

- Dimming: 0~10V
- Multi Power (Selectable Switch Located On The Driver Housing)
- Total Lumens: 15500/22500/29000/32200LM
- Color Temperatures: 4000K/ 5000K
- Color Rendering index: > 80
- Beam Angle: 110°
- Lifespan: 50,000 Hrs

### Applications:

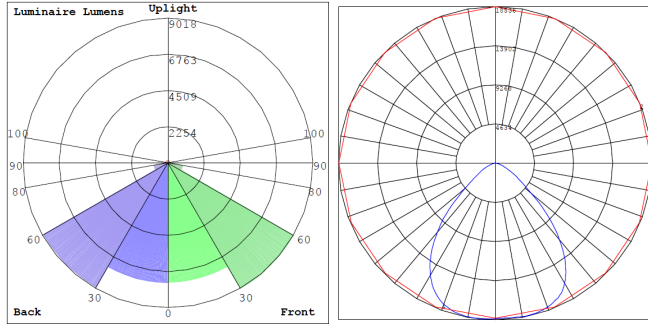
- Ideal for general site lighting, alleys, loading docks, doorway, pathway, parking areas, warehouses and storage buildings.

### Other Models:

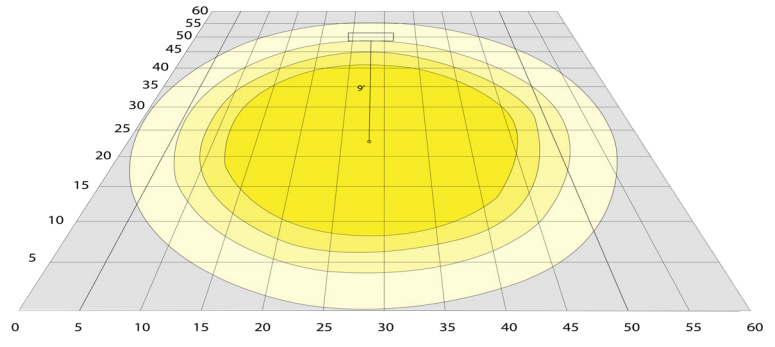
- 150W | 21000 LM | UHX-150W-MP-40K
- 150W | 21000 LM | UHX-150W-MP-50K
- 300W | 42000 LM | UHX-300W-MP-40K
- 300W | 42000 LM | UHX-300W-MP-50K



## Photometrics: UHX-230W-MP



BUG Rating: B5-U3-G1



Area 60'x 60' Mounting Height: 9'

## Other Views:



Side View



Top View



Bottom View

## Performance Table: UHX-230W-MP

MODEL NO.	Wattage	Voltage	Lumens	Color Temp	BUG Rating	LPW
UHX-230W-MP-40K	100W	120-277V	15500LM	5000K	B5-U3-G1	155
UHX-230W-MP-50K	150W		22500LM			150
	200W		29000LM			145
	230W		32200LM			140

## Sample Ordering

Model Wattage Power Color Temp.

UHX - 230W - MP -

40K = 4000K  
50K = 5000K

## Accessory

Blank = No Accessory  
 HB-RING = HIGHBAY TOP RING ADAPTER, 1/2in  
 HB-EB-50/75 = HIGHBAY EXPANSION BUSHING FROM 1/2in TO 3/4"  
 UHX-SMB = UHX SERIES SURFACE MOUNTING YOKE BRACKET  
 UHX-WG-A = UHX SERIES WIRE GUARD, FITS ON FIXTURES  
 UHX-SC = UHX SERIES 22" SAFETY CABLE  
 UHX-ALR-A = UHX SERIES ALUM 60° ALUM. REFLECTOR  
 UHX-ALRW-A = 90° ALUM. REFLECTOR FOR 150W (MP & MCTP) & 230W (MP ONLY)  
 UHX-PCR-B = UHX SERIES PRISMATIC PC REFLECTOR  
 UHX-PCDC = UHX SERIES PC DROP LENS COVER FOR REFLECTORS  
 UHX-PCC = UHX SERIES PC BOTTOM COVER FOR REFLECTORS  
 UHX-FL-B = UHX SERIES REPLACEMENT FROSTED GLASS LENS  
 UHX-SA-5057 = 1/2 IN STEM-MOUNTING ADAPTER WITH CABLE PASSAGE AND 1/2 IN THREADED TOP. 3/4" THREADED ADAPTER

## Factory-Installed Option:

Blank = No Accessory  
 OPT-EM-UHX = EXTERNAL EMERGENCY BACKUP BATTERY INSTALLED ON TOP OF THE FIXTURE  
 OPT-HBC=125TL-BK = NEMA TWIST-LOCK PLUG 8FT, 15A, 125V, 16/3TL, BLK  
 OPT-HBC=277TL-BK = NEMA TWIST-LOCK PLUG 8FT, 15A, 277V, 16/3TL, BLK  
 OPT-HBC=125SB-BK = STRAIGHT BLADE PLUG 10FT, 15A, 125V, 18/3TL, BLK  
 OPT-SEN-UHX = MICROWAVE BI-LEVEL SENSOR

## Example:

1. UHX-230W-MP-50K
2. UHX-230W-MP-50K  
HB-RING

(FOR UHX 230W MP FIXTURE 120-277V)  
 (FOR UHX 230W MP FIXTURE 120-277V)  
 (HIGHBAY TOP RING ADAPTER, 1/2in)



## ACCESSORIES:



**UHX-PCR-A**  
UHX SERIES  
PRISMATIC PC  
ALUM. REFLECTOR



**UHX-ALR-A**  
UHX SERIES ALUM  
60° ALUM.  
REFLECTOR



**UHX-PCC**  
UHX SERIES PC  
BOTTOM COVER FOR  
REFLECTORS



**UHX-PCDC**  
UHX SERIES PC DROP  
LENS COVER FOR  
REFLECTORS



**UHX-ALRW-A**  
90° ALUM.  
REFLECTOR FOR  
150W (MP & MCTP)  
& 230W (MP ONLY)



**HB-RING**  
HIGHBAY TOP RING  
ADAPTER, 1/2in



**HB-EB-50/75**  
HIGHBAY  
EXPANSION  
BUSHING FROM 1/2in  
TO 3/4"



**UHX-WG-A**  
UHX SERIES WIRE  
GUARD, FITS ON  
FIXTURES



**UXH-FL-C**  
UHX SERIES REPLACEMENT  
FROSTED GLASS LENS



**UHX-SC**  
UHX SERIES 22"  
SAFETY CABLE



**UHX-SMB**  
UHX SERIES SURFACE  
MOUNTING YOKE  
BRACKET



**UHX-SA-5075**  
1/2 IN STEM-MOUNTING  
ADAPTER WITH CABLE  
PASSAGE AND 1/2 IN  
THREADED TOP. 3/4 IN  
THREADED ADAPTER  
INCLUDED

## FACTORY-INSTALLED OPTION:



**OPT-HBC-125SB-BK**  
STRAIGHT BLADE PLUG 10FT, 15A,  
125V, 18/3TL, BLK



**OPT-HBC-125TL-BK**  
NEMA TWIST-LOCK PLUG 8FT, 15A,  
125V, 16/3TL, BLK



**OPT-HBC-277TL-BK**  
NEMA TWIST-LOCK PLUG 8FT, 15A,  
277V, 16/3TL, BLK



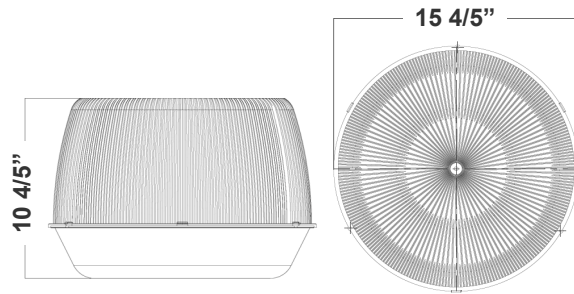
**OPT-EM-UHX**  
EXTERNAL EMERGENCY  
BACKUP BATTERY INSTALLED  
ON TOP OF THE FIXTURE  
(The bracket can be painted)



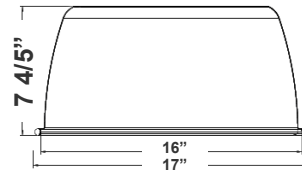
# Dimensions:



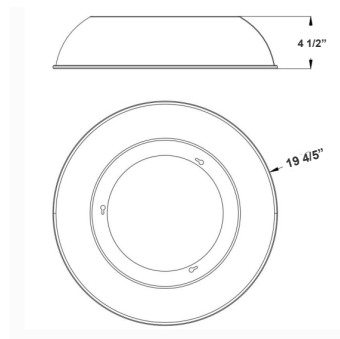
**UHX-PCC**  
UHX SERIES PC BOTTOM COVER  
FOR REFLECTORS



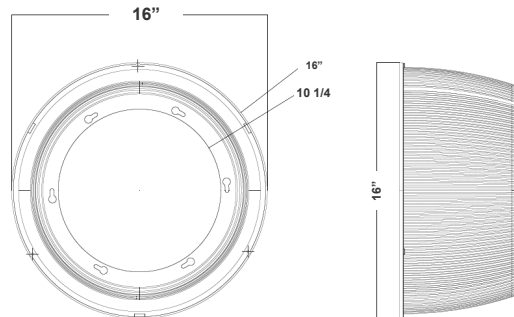
**UHX-ALR-A**  
UHX SERIES 60° ALUM.  
REFLECTOR



**UHX-ALRW-A**  
90° ALUM. REFLECTOR FOR 150W  
(MP & MCTP) & 230W (MP ONLY)



**UHX-PCR-A**  
UHX SERIES PRISMATIC PC  
REFLECTOR



**UHX-PCDC**  
UHX SERIES PC DROP LENS  
COVER FOR REFLECTORS

