

# UHX SERIES INDUSTRIAL LIGHTING

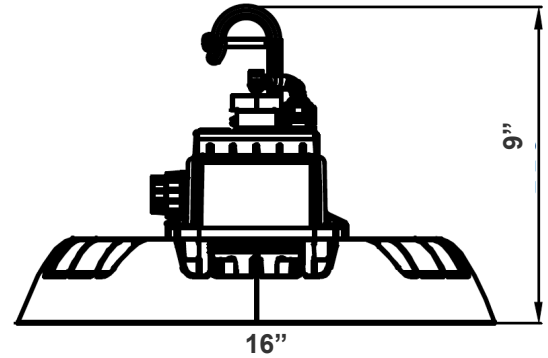
UHX-230W-MCTP-SR  
SPEC SERIES NEW GENERATION - UFO HIGHBAY

**MCTP** Multi Color Temperature & Multi Power/Wattage (Selectable)

Customer Name: \_\_\_\_\_

Project Name: \_\_\_\_\_

Note: \_\_\_\_\_ | Type: \_\_\_\_\_



9" (H) X 16" (D)

In a aluminium shell designed for heat dissipation, UHX is IP65 water resistant rated and ideal for general site lighting, alleys, loading docks, doorways, pathways, parking areas, warehouses and storage buildings.

## Features

- Waterproof Design, Suitable For Wet Locations
- ADC12 Aluminum Heat Sink, Outdoor Powder Coating Finish
- Sensor Ready
- Optical Lens: PC Materials High Light Transmittance, Anti-UV, Fire-Resistant
- Multi Color Temperature & Multi Power (Selectable Switch Located On The Driver Housing)

## Technical Specifications

### Electrical:

- Input Wattage: 100W/150W/200W/230W
- Input Voltage: 120-277V AC 50/60Hz
- Power Factor: >0.9
- THD: <20%
- Efficacy: 130 LPW

### Mechanical:

- ADC12 Aluminum Heat Sink, Outdoor Powder Coating Finish
- Optical Lens: PC Materials High Light Transmittance, Anti-UV, Fire-Resistant
- Twist-Lock Zhaga Socket Pre-Installed. See Motion Sensor Accessories
- 3' SJTW 18,3 AWG Power Cable
- 6' SJTW Dimming Cable
- LED: LUMILEDS 2835
- LED PCB Board: High Conductive, Waterproof, Aging Resistance, salt mist Resistance, Ensure the Safety and Long Lifespan
- Operating temperature: -40°F to 122°F
- IP rating: IP65, Wet Locations
- Lifespan: 50,000 Hrs

### Lighting:

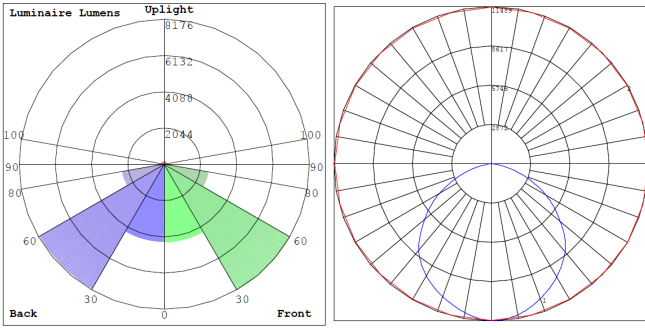
- Dimming: 0~10V
- Multi Color Temperature & Multi Power (Selectable Switch Located On The Driver Housing)
- Total Lumens: 13000/19500/26000/29900LM
- Color Temperatures: 3000K/ 4000K/ 5000K/ 5700K
- Color Rendering index: > 80
- Beam Angle: 110°
- Lifespan: 50,000 Hrs

### Applications:

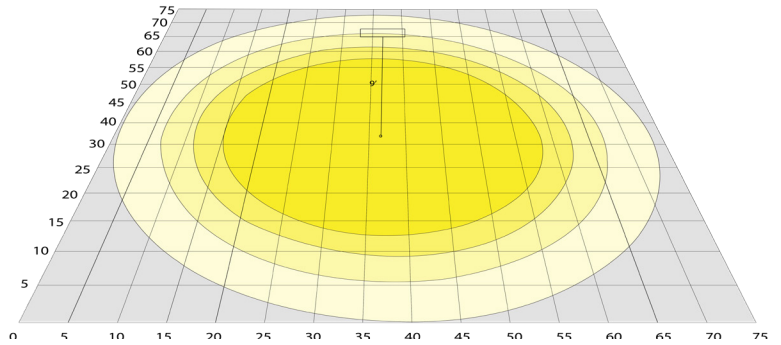
- Ideal for general site lighting, alleys, loading docks, doorway, pathway, parking areas, warehouses and storage buildings.



## Photometrics: UHX-230W-MCTP-SR



BUG Rating: B4-U3-G2



Area 75'x 75' Mounting Height: 9'

## Other Views:



Side View



Top View



Bottom View

## Performance Table: UHX-230W-MCTP-SR

MODEL NO.	Wattage	Voltage	Lumens	Color Temp	BUG Rating	LPW
UHX-230W-MCTP-SR	100W	120-277V	13000LM	3000K	B4-U3-G2	130
	150W		19500LM	4000K		
	200W		26000LM	5000K		
	230W		29900LM	5700K		

## Sample Ordering

**Model**    **Wattage**    **Color Temp.**    **Feature**

UHX - 230W - MCTP - SR

## Accessories:

- Blank = No Accessory
- HB-RING = HIGHBAY TOP RING ADAPTER, 1/2in
- HB-EB-50/75 = HIGHBAY EXPANSION BUSHING FROM 1/2in TO 3/4"
- UHX-SMB = UHX SERIES SURFACE MOUNTING YOKE BRACKET
- UHX-WG-B = UHX SERIES WIRE GUARD, FITS ON FIXTURES
- UHX-SC = UHX SERIES 22" SAFETY CABLE
- UHX-ALR-B = 60° UHX SERIES ALUM. REFLECTOR
- UHX-ALRW-B = 90° ALUM. REFLECTOR FOR 230W (MCTP ONLY) & 300W MP
- UHX-PCR-B = UHX SERIES PRISMATIC PC REFLECTOR
- UHX-PCDC = UHX SERIES PC DROP LENS COVER FOR REFLECTORS
- UHX-PCC = UHX SERIES PC BOTTOM COVER FOR REFLECTORS
- UXH-FL-C = UHX SERIES REPLACEMENT FROSTED GLASS LENS
- UHX-SA-5057 = 1/2 IN STEM-MOUNTING ADAPTER WITH CABLE PASSAGE AND 1/2 IN THREADED TOP. 3/4" THREADED ADAPTER
- WEC-3MR-72-TLB-BK = 600W Max, ZHAGA 12-24VDC PIR SENSOR, BLACK, WITH BASE (OPTIONAL REMOTE CONTROL WEC-3RC)
- WEC-3MBY-72-TLB-BK = 600W Max, ZHAGA 12-24VDC PIR SENSOR, BLACK, WITH BASE (OPTIONAL REMOTE CONTROL WEC-3RC)

## Factory-Installed Option:

- Blank = No Accessory
- OPT-EM-UHX = EXTERNAL EMERGENCY BACKUP BATTERY INSTALLED ON TOP OF THE FIXTURE
- OPT-HBC=125TL-BK = NEMA TWIST-LOCK PLUG 8FT, 15A, 125V, 16/3TL, BLK
- OPT-HBC=277TL-BK = NEMA TWIST-LOCK PLUG 8FT, 15A, 277V, 16/3TL, BLK
- OPT-HBC=125SB-BK = STRAIGHT BLADE PLUG 10FT, 15A, 125V, 18/3TL, BLK
- OPT-SEN-UHX = MICROWAVE BI-LEVEL SENSOR



## ACCESSORIES:



**UHX-PCR-B**  
UHX SERIES  
PRISMATIC PC  
ALUM. REFLECTOR  
FOR UP TO 230W



**UHX-ALR-B**  
UHX SERIES 60° ALUM  
REFLECTOR FOR UP  
TO 300W



**UHX-PCC**  
UHX SERIES PC  
BOTTOM COVER FOR  
REFLECTORS, FITS  
ALL SIZES



**UHX-PCDC**  
UHX SERIES PC DROP  
LENS COVER FOR  
REFLECTORS, FITS  
ALL SIZES



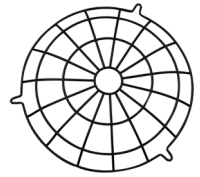
**UHX-ALRW-B**  
90° ALUM.  
REFLECTOR FOR  
230W (MCTP ONLY)  
& 300W MP



**HB-RING**  
HIGHBAY TOP RING  
ADAPTER, 1/2in



**HB-EB-50/75**  
HIGHBAY  
EXPANSION  
BUSHING FROM 1/2in  
TO 3/4"



**UHX-WG-B**  
UHX SERIES WIRE  
GUARD, FITS ON  
FIXTURES UP TO 300W



**UXH-FL-C**  
UHX SERIES  
REPLACEMENT FROSTED  
GLASS LENS FOR UP TO  
300W



**WEC-3MR-72-TLB-BK**  
**WEC-3MBY-72-TLB-BK**  
600W Max, ZHAGA 12-24VDC PIR  
SENSOR, BLACK, WITH BASE  
(OPTIONAL REMOTE CONTROL  
WEC-3RC)



**UHX-SMB**  
UHX SERIES SURFACE  
MOUNTING YOKE  
BRACKET



**UHX-SA-5075**  
1/2 IN STEM-MOUNTING  
ADAPTER WITH CABLE  
PASSAGE AND 1/2 IN THREADED  
TOP. 3/4 IN THREADED ADAPTER  
INCLUDED



**UHX-SC**  
UHX SERIES 22"  
SAFETY CABLE

## FACTORY-INSTALLED OPTION:



**OPT-HBC-125SB-BK**  
STRAIGHT BLADE PLUG 10FT, 15A,  
125V, 18/3TL, BLK



**OPT-HBC-125TL-BK**  
NEMA TWIST-LOCK PLUG 8FT, 15A,  
125V, 16/3TL, BLK



**OPT-HBC-277TL-BK**  
NEMA TWIST-LOCK PLUG 8FT, 15A,  
277V, 16/3TL, BLK



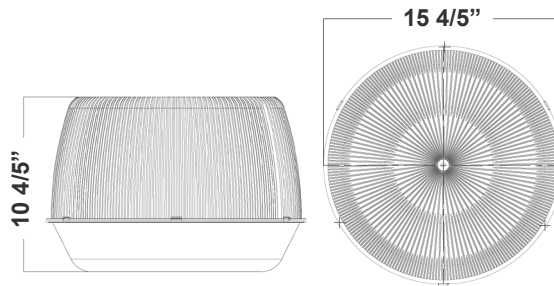
**OPT-EM-UHX**  
EXTERNAL EMERGENCY  
BACKUP BATTERY INSTALLED  
ON TOP OF THE FIXTURE  
(The bracket can be painted)



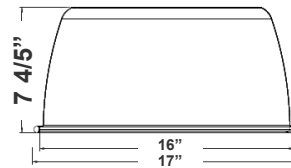
# Dimensions:



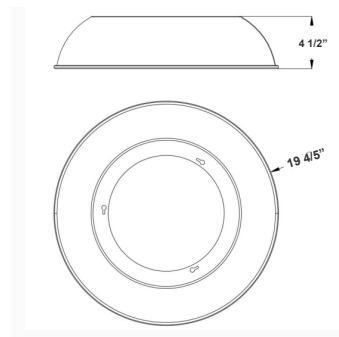
**UHX-PCC**  
UHX SERIES PC BOTTOM COVER  
FOR 60° REFLECTORS



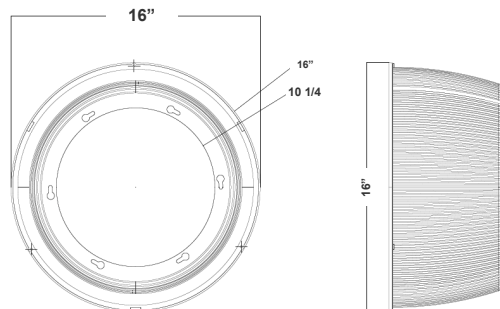
**UHX-ALR-B**  
UHX SERIES 60° ALUM.  
REFLECTOR



**UHX-ALRW-B**  
90° ALUM. REFLECTOR FOR 230W  
(MCTP ONLY) & 300W MP



**UHX-PCR-B**  
UHX SERIES PRISMATIC PC  
REFLECTOR



**UHX-PCDC**  
UHX SERIES PC DROP LENS  
COVER FOR REFLECTORS

