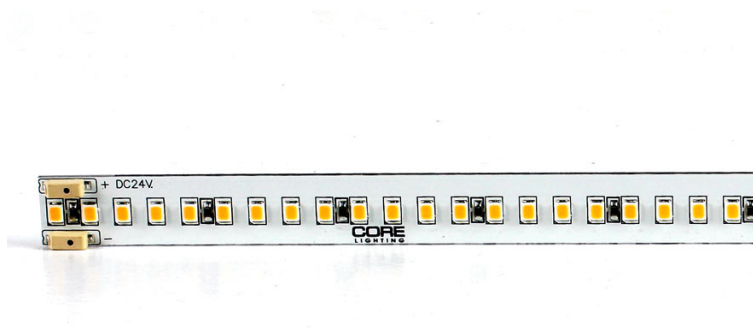


LRB1300

High Power 90CRI Rigid LED Strip

JOB NAME: _____
LOCATION: _____
QUOTE/REF#: _____



LRB1300 SERIES is an high-powered lighting solution to a wide variety of lighting needs and applications. This indoor rated rigid LED strip delivers 8.64 W/Ft. and 150 Lm/W. It is available in 12" and 48" and in 4 CCT options: 27K, 30K, 35K and 40K. Comes with a 3M adhesive backing for an easy install (just peel-off and attach to installation surface). CA Title 24 JA8 compliant.

SPECIFICATIONS

AVAILABLE LENGTHS	12"	48"
NO. OF LEDs	48 LEDs	192 LEDs
POWER CONSUMPTION	8.64W/pc	34.56W/pc
LUMEN OUTPUT	1100 Lm	4400 Lm
	130 Lm/W	130 Lm/W
MAXIMUM RUN LENGTHS	6 pcs.	2 pcs.
INPUT VOLTAGE	24V DC	
BEAM ANGLE	120°	
CRI	90+	
DIMMING	MLV, ELV, 0-10 and TRIAC	
FIELD CUTTABLE	NO	
IP RATING	IP45 dry location (indoor)	
LUMEN MAINTENANCE	50,000 hrs.	
OPERATING TEMPERATURE	-40°F(-40°C)~+140°F(+60°C)	
CERTIFICATIONS	UL listed, TITLE 24 JA8	

FEATURES

- 90+ CRI
- Efficacy: 130 initial LPW
- Available sizes: 12" | 24"
- CCT Options: 27K | 30K | 35K | 40K
- Dimmable (w/ CORE LED Dimmable drivers)
- Rated life: 50,000 hrs
- Indoor rated
- Quick connect power feed
- 3M Adesive Tape with Heat Transfer Technology
- Approved for closet / storage space installation per NEC 410.16(A)(3) and 410.16(C)(5)

	COLOR TEMP	CRI	LUMEN/FT
	2700K	95+	1100
	3000K	95+	1100
	3500K	95+	1100
	4000K	95+	1100



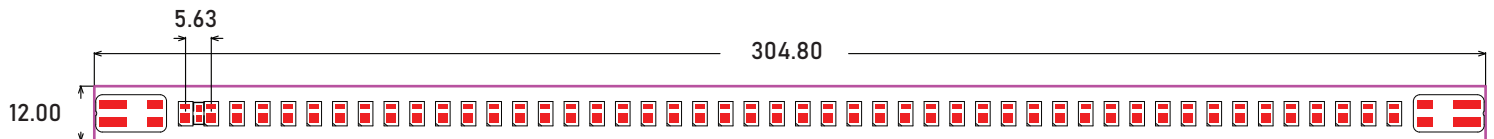
LRB1300

High Power 90CRI Rigid LED Strip

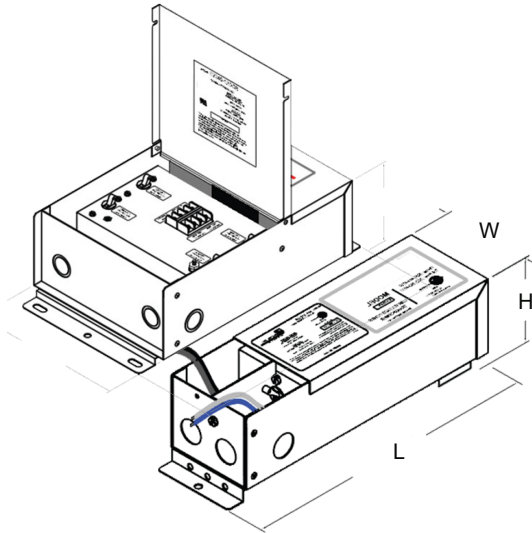
STANDARD ORDERING CODE

Model	Color Temp	Length	Voltage
LRB	1312 12' (8.75W)	27K 2700K	24V 24V DC
	1348 48' (34.56W)	30K 3000K	
		35K 3500K	
		40K 4000K	

DIMENSIONS



COMPATIBLE TRANSFORMERS

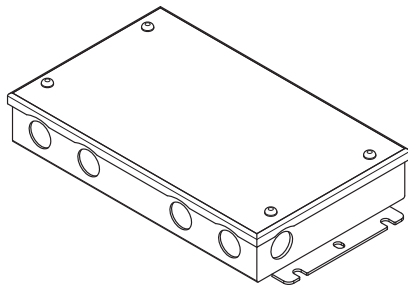


PSDH SERIES | HIGH PERFORMANCE MLV

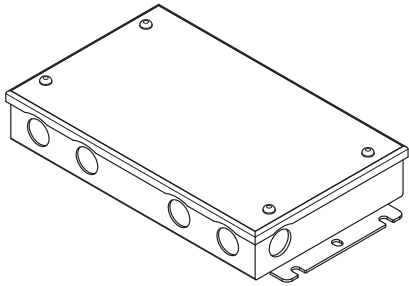
PSDH-48W-24V	CLASS 2	11.25"x 3.37"x 3.25"
PSDH-96W-24V	CLASS 2	11.25"x 3.37"x 3.25"
PSDH-288W-24V	CLASS 2	14.25"x 8.43"x 4.43"

PSDL SERIES | TRIAC DIMMABLE

PSDL-30W-24V	CLASS 2	6.5"x 3.63"x 1.03"
PSDL-60W-24V	CLASS 2	7.4"x 3.63"x 1.03"
PSDL-96W-24V	CLASS 2	8.67"x 3.67"x 1.62"
PSDL-150W-24V	CLASS 2	8.67"x 3.67"x 1.62"
PSDL-192W-24V	CLASS 2	10.25"x 4.06"x 1.82"
PSDL-200W-24V	CLASS 2	10.25"x 4.06"x 1.82"
PSDL-288W-24V	CLASS 2	10.25"x 4.06"x 1.82"
PSDL-300W-24V	CLASS 2	10.25"x 4.06"x 1.82"

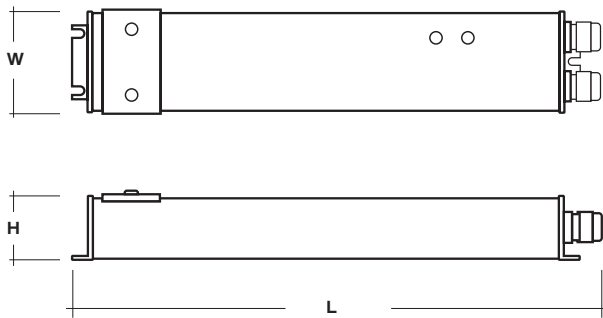


COMPATIBLE TRANSFORMERS



PSHK SERIES | NON-DIMMING W/ JUNCTION BOX

PSHK-30W-24V-UNV	CLASS 2	6.5" X 3.6" X 1.02"
PSHK-60W-24V-UNV	CLASS 2	7.4" X 3.62" X 1.02"
PSHK-96W-24V-UNV	CLASS 2	8.66" X 3.66" X 1.61"
PSHK-150W-24V-UNV		10.24" X 4.06" X 1.81"
PSHK-200W-24V-UNV		10.24" X 4.06" X 1.81"
PSHK-300W-24V-UNV		10.94" X 4.25" X 1.81"



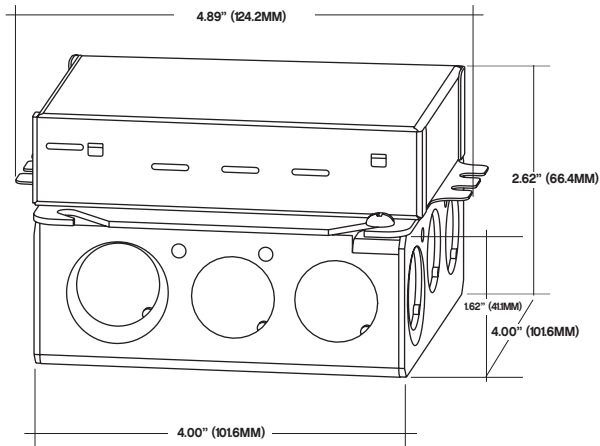
PSDE SERIES | 0-10V DIMMING WITH JUNCTION BOX

PSDE-100W-24V-010-JB	CLASS 2	12.32" x 1.77" x 1.67"
-----------------------------	---------	------------------------

LRB1300

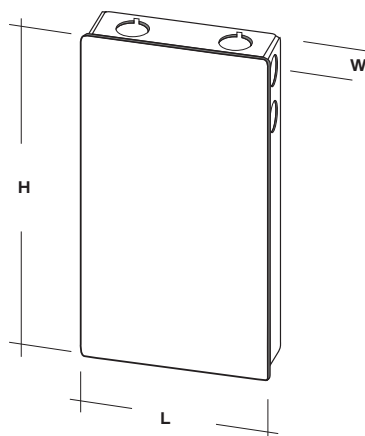
High Power 90CRI Rigid LED Strip

COMPATIBLE TRANSFORMERS



LUTRON 1% | 2 OR 3-WIRE DIMMING

LTEA4U1UKL-CV240	CLASS 2	4.0" x 1.5" x 4.0"
L3DA4U1UKL-CV240	CLASS 2	4.0" x 1.5" x 4.0"



LUTRON 1%

PSDE-96W-24V-ECO	CLASS 2	10.5" x 3.0" x 2.0"
-------------------------	---------	---------------------