



4" ROUND



6" ROUND

PROJECT: _____

DATE: _____

TYPE: _____

PREPARED BY: _____



KEY FEATURES

- Shallow **baffle** trim provides extremely thin depth for shallow ceiling installation
- Available in multiple sizes: 4" and 6"
- Flexible 360° rotation and 25° tilt for flexible illumination
- 5 color temperatures in 1 SKU (5000K, 4000K, 3000K, 3500K, 2700K)
- Made with **anti-UV** plastic to prevent discoloration from prolonged sun exposure
- Suitable for **dry, damp, and wet** environments for indoor and outdoor applications
- No recessed housing or J-box required
- **IC** and **airtight** rated

Back-lit, field-adjustable, gimbal wafer

FIELD ADJUSTABLE
 50,000 HOURS
 UL CLASSIFIED
 FCC LISTED
 WET RATED
 IC RATED

PERFORMANCE

Catalog#	Equivalency	Shape	Input Wattage	Field-Adjustable Color Temperature	CRI	Input Voltage(V)	L70 Lifespan	Energy Star ID
WFRLA4R89FA120WS	60W CFL	Round	8W	5000/4000/3500/3000/2700K	90	120V	50,000	2395410
WFRLA6R129FA120WS	75W CFL		12W					2395417

WFRLA4R89FA120WS	5000K	4000K	3500K	3000K	2700K
LUMENS	700	710	705	685	650
EFFICACY (LM/W)	88	89	88	86	81

WFRLA6R129FA120WS	5000K	4000K	3500K	3000K	2700K
LUMENS	1,055	1,075	1,060	1,025	950
EFFICACY (LM/W)	88	90	88	85	79

Gimbal Wafer

TECHNICAL SPECIFICATIONS

CONSTRUCTION

Product Type

Retrofit Gimbal

Fixture Shape

Round

Fixture Finish

White

Trim Style

Smooth

Base Type

E26 Socket. Wire leads and connector included

Housing Material

Plastic

Installation

Recessed

Controls

Dip-switch mounted on housing for CCT selection

Optical

25° beam angle with full 360° rotation

Lens

Regressed lens constructed from impact-resistant polycarbonate. Convex lens gives the optic a lamp-like appearance. Provides smooth and diffuse light distribution.

ELECTRICAL

THD

≤20%

Power Factor

≥0.9

Input Voltage

120V

Flicker

≤5

Operating Frequency

60Hz

Operating Temperature

-4°F to 104°F (-20°C to 40°C)

Dimming

Yes, see Dimmer Compatibility List

Note: All values are typical (tolerance +/- 10%)

PERFORMANCE

Lifespan

50,000-hour LED lifespan based on IES LM-80 results and TM-21 calculations

Dimmable

TRIAC and ELV dimming compatibility

COMPLIANCE

Listing

UL Listed

Environment/Fixture Rating

Damp rated

T24 JA8 Compliant

Yes

Energy Star Compliant

Yes

IC Rated

Suitable for direct contact with insulation

FCC

Complies with Part 15 of the FCC Rules.

RoHS

Mercury and UV free. RoHS-compliant components.

OTHER

Warranty

RAB warrants that our LED products will be free from defects in materials and workmanship for a period of five (5) years from the date of delivery to the end user, including coverage of light output, color stability, driver performance and fixture finish.

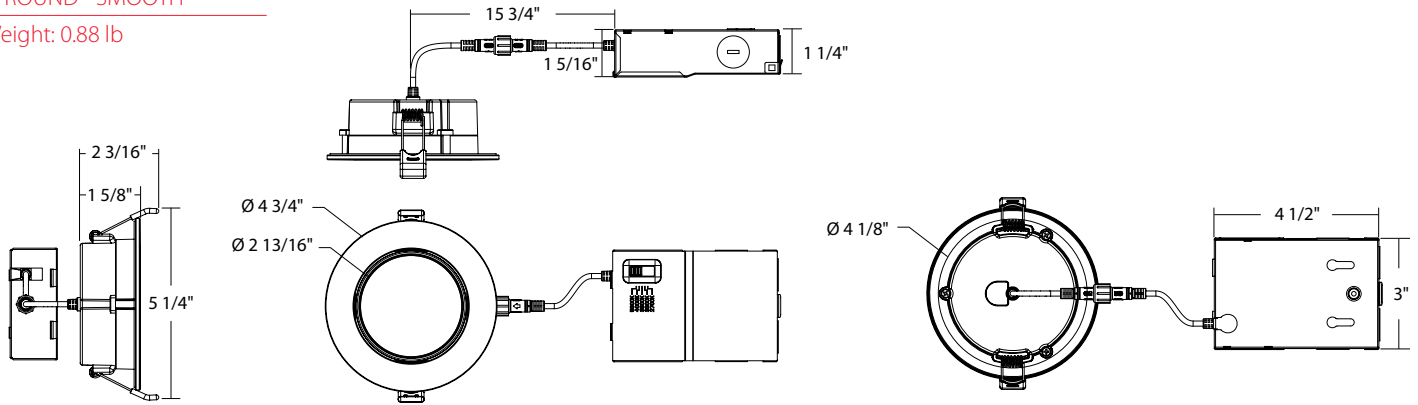
RAB warranty is subject to all terms and conditions found at: rablighting.com

Gimbal Wafer

DIMENSIONS

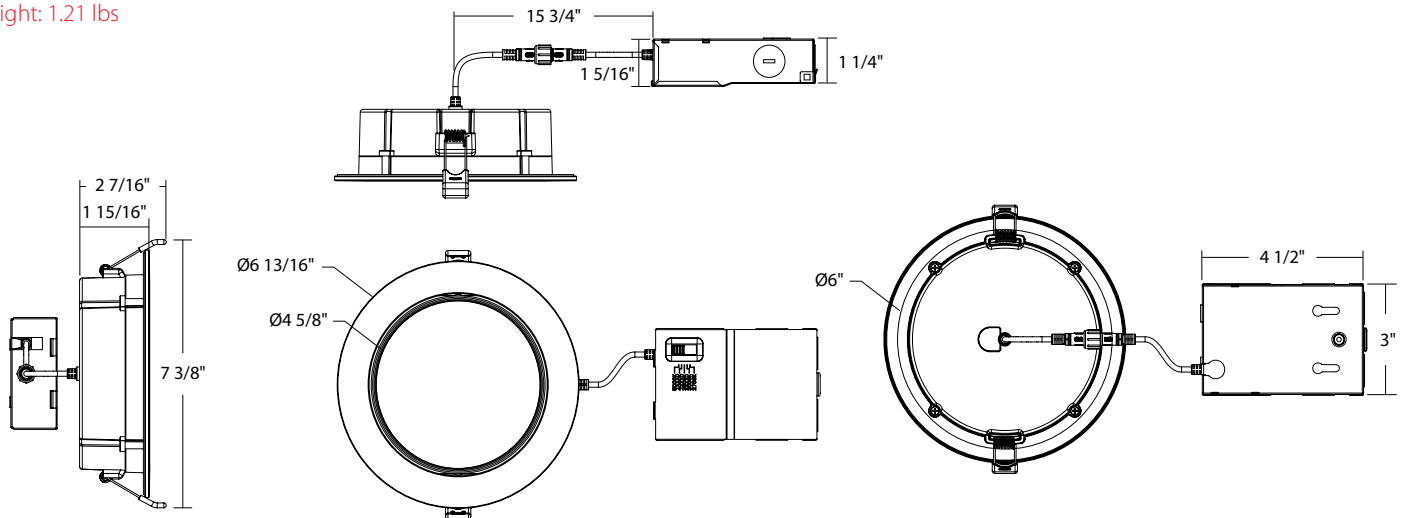
4" ROUND - SMOOTH

Weight: 0.88 lb



6" ROUND - SMOOTH

Weight: 1.21 lbs



ACCESSORIES

Extension Cables



Catalog Number	UPC	Description
EXTCBL-FA-6	0192552000673	EXT CABLE FOR WAFER FA 6 FOOT
EXTCBL-FA-12	0192552025584	EXT CABLE FOR WAFER FA 12 FEET
EXTCBL-FA-20	0192552036993	EXT CABLE FOR WAFER FA 20 FEET

Emergency Drivers



DRI-25-EMGR-DC



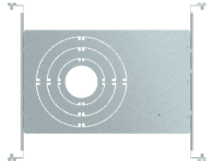
DRI-21-EMGR-DC-D10

Catalog Number	UPC	Description
DRI-25-EMGR-DC	0192552000673	EXT CABLE FOR WAFER FA 6 FOOT
DRI-21-EMGR-DC-D10	0192552025584	EXT CABLE FOR WAFER FA 12 FEET

Gimbal Wafer

ACCESSORIES (CONT.)

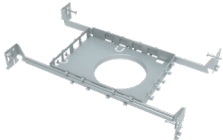
Mounting Plates



DLPLATE/WFR3468/NB



DLPLATE/WFR3456



DLPLATE/WFR4/NB/CL



DLPLATE/WFR6/NB/CL



DLPLATE/WFR4



DLPLATE/WFR6

Catalog Number	UPC	Description
DLPLATE/WFR3468/NB	0192552000673	MOUNTING PLATE WITH NAILER BAR FOR WAFER 3/4/6/8IN
DLPLATE/WFR3456	0192552025584	DL ECO MOUNTING PLATE GREY FOR WAFER 3"/4"5"6"
DLPLATE/WFR4/NB/CL	0192552036993	MOUNTING PLATE FOR WAFER 4" W/ DRYWALL COLLAR & EXTENSION BAR
DLPLATE/WFR6/NB/CL	0192552037006	MOUNTING PLATE FOR WAFER 6" W/ DRYWALL COLLAR & EXTENSION BAR
DLPLATE/WFR4	0192552039819	4" WAFER MOUNTING PLATE W/O NAILER BAR
DLPLATE/WFR6	0192552039826	6" WAFER MOUNTING PLATE W/O NAILER BAR

ORDERING INFO

Catalog Number	Model Number (Energy Star)	UPC	Case Pack
WFRLA4R89FA120WS	DLW0086(WFRLA4R89FA120WS)	192552018760	8
WFRLA6R129FA120WS	DLW0087(WFRLA6R129FA120WS)	192552018777	8

ORDERING MATRIX

Gimbal Wafer

Family	Size	Shape	Wattage	CRI/CCT	Voltage Rating	Finish	Trim
WFRLA	6 4	R Round	12 8	9FA 90CRI, Field-Adjustable (5000/4000/3500/3000/2700K)	120 120 V	W White	S Smooth