

NPTPSW

LED Frame Light with Selectable Lumens & Selectable CCT

Source: 30W to 40W LED
4000lm to 5000lm

Type

Project

Catalog No.

Notes

PRODUCT DESCRIPTION

LED Frame lights are a perimeter fixture for a standard 2' x 2' ceiling grid. Remote driver includes two Selectable Switches to change the color temperature and brightness. Universal input (120-277VAC) and dimmable with compatible 0-10V dimmers. No cutting is required and ceiling tile sits inside the frame light.

FEATURES

- One-piece construction, no assembly required!
- Easy installation without cutting tiles
- 120-277VAC input; 0-10V dimming
- Selectable Lumen switch changes output up to 5000lm
- Selectable CCT switch changes color temperature from 3500K / 4000K / 5000K
- White finish matches most ceilings
- cETLus listed for damp location
- DLC Listed

SPECIFICATION

Lens: Polycarbonate lens is lightweight with no gaps around corners.

Installation: No cutting is required accommodate ceiling tile. Fixture drops into suspended grid ceiling and tile sits on top of thin LED frame. Each fixture includes a remote driver knockouts for romex or flex wiring. The luminaire fits into standard 15/16" and narrow 9/16" T-grid ceiling systems.

Junction Box: Prewired junction box includes quick connect to LED fixture for ease of installation. Junction box includes four 1/2" knockouts and snap on cover. Maximum of 4 No. 12 AWG through branch circuit conductor suitable for 90°C permitted in box. [Fixture wire length: 6' and Junction box wire length: 12"]

ELECTRICAL

Input: 120-277VAC

Lumens / Wattage: Selectable Lumens: 4000lm / 30W, 4400lm / 35W and 5000lm / 40W (*Note: Preset to 40W*)

Color Temperature: Selectable CCT: 3500K / 4000K / 5000K (*Note: Preset to 3500K*)

Color Rendering Index: 80+CRI

Operating Temperature: 0°C to 40°C

Lifetime: 54,000 hours @ L70

Dimming: 0-10V dimming

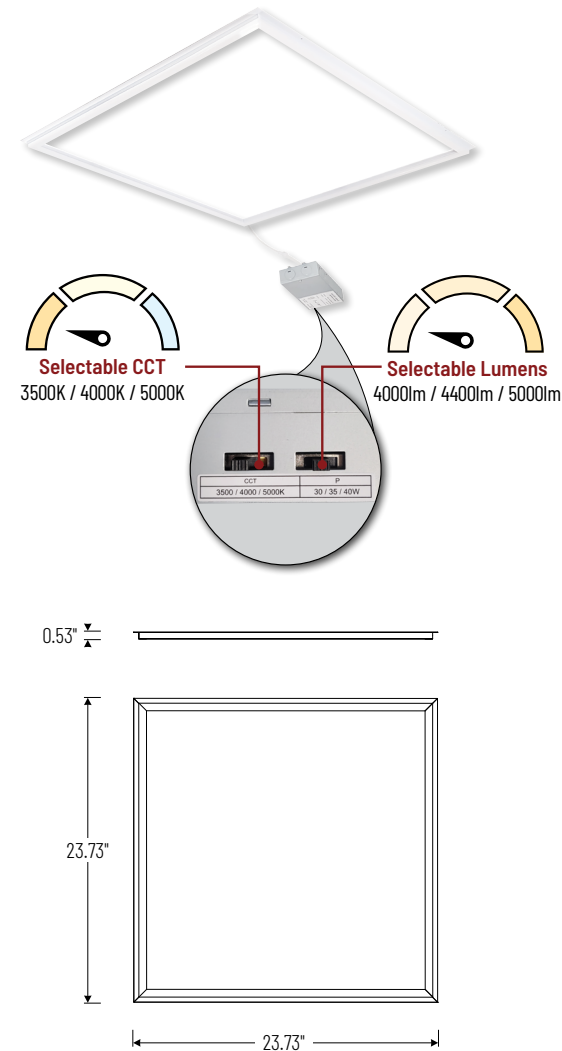
[Click Here](#) or check complete dimmer list at www.NoraLighting.com in the "Compatibility" page under "Resources" tab

LABELS AND LISTINGS

- cETLus Listed for Damp Locations
- DLC in progress
- FCC certified
- [5-Year Limited Warranty](#)



PRODUCT IMAGES AND DIMENSIONS



LED Frame Light with Selectable Lumens & Selectable CCT

Description

NPTPSW-E22/345W = 2' x 2' LED Frame Light

Example: NPTPSW-E22/345W = 2' x 2' LED Frame Light with Selectable Lumens & Selectable CCT, White finish

PHOTOMETRICS

LED Frame Light with Selectable Lumens & Selectable CCT

Type

Project

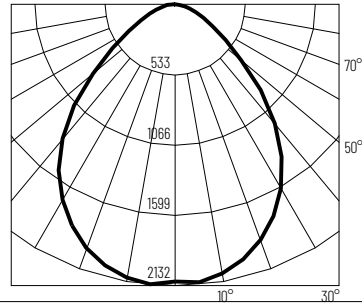
Catalog No.

Notes

Test Information

Test Number: BL220929001-9
 Part Number: NPTPSW-E22/345W
 Beam Spread: 83° x 102° Wide Flood
 Lumens: 4706lm
 Wattage: 43W
 Efficacy: 109lpw
 CCT / CRI: 3500K / 80 CRI
 Spacing Criteria (0°-180°): 1.18
 Spacing Criteria (90°-270°): 1.2

Polar Curve



Zonal Lumen Summary

Zone	Lumens	% Luminaire
0-30	1584	33.7
0-40	2522	53.6
0-60	4022	85.5
0-90	4693	99.7
90-180	12.5	0.3
0-180	4706	100

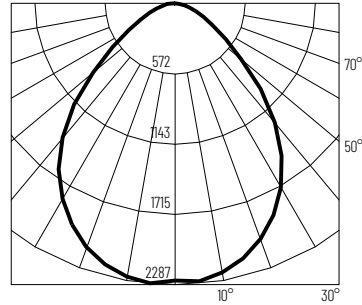
Candela Table

Vertical Angles	Candela
0	2102
5	2060
15	1944
25	1754
35	1515
45	1226

Test Information

Test Number: BL220929001-9
 Part Number: NPTPSW-E22/345W
 Beam Spread: 83° x 102° Wide Flood
 Lumens: 5046lm
 Wattage: 40.44W
 Efficacy: 125lpw
 CCT / CRI: 4000K / 80 CRI
 Spacing Criteria (0°-180°): 1.18
 Spacing Criteria (90°-270°): 1.2

Polar Curve



Zonal Lumen Summary

Zone	Lumens	% Luminaire
0-30	1698	33.7
0-40	2704	53.6
0-60	4313	85.5
0-90	5032	99.7
90-180	13	0.3
0-180	5046	100

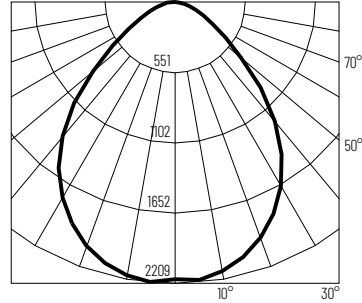
Candela Table

Vertical Angles	Candela
0	2254
5	2209
15	2085
25	1880
35	1624
45	1315

Test Information

Test Number: BL220929001-9
 Part Number: NPTPSW-E22/345W
 Beam Spread: 83° x 102° Wide Flood
 Lumens: 4862lm
 Wattage: 42.86W
 Efficacy: 113lpw
 CCT / CRI: 5000K / 80 CRI
 Spacing Criteria (0°-180°): 1.18
 Spacing Criteria (90°-270°): 1.2

Polar Curve



Zonal Lumen Summary

Zone	Lumens	% Luminaire
0-30	1637	33.7
0-40	2605	53.6
0-60	4156	85.5
0-90	4849	99.7
90-180	13	0.3
0-180	4862	100

Candela Table

Vertical Angles	Candela
0	2171
5	2128
15	2009
25	1812
35	1565
45	1267

Performance Data

Part Number	Lumen Setting	Color Temperature	Lumens	Wattage	Efficacy
NPTPSW-E22/345W	Low Lumens	3500K	3783lm	32.5W	116lm/w
		4000K	4019lm	30.9W	130lm/w
		5000K	3915lm	32.4W	121lm/w
	Medium Lumens	3500K	4177lm	36.8W	114lm/w
		4000K	4438lm	34.7W	128lm/w
		5000K	4290lm	36.5W	117lm/w
	High Lumens	3500K	4706lm	43.1W	109lm/w
		4000K	5046lm	40.4W	125lm/w
		5000K	4862lm	42.9W	113lm/w