

Full Cut Off Wall Packs: Full-FC-Line

3-CCT + 3-Power + Selectable Photocell

NEW E.T.A. 07/2024



Detail Specifications:

- Finish: Bronze or Black, Custom finishes available
- IP Rating: Wet Location
- Beam Angle: 90°
- BUG:
 - 3P100W: B3-U3-G3
- Traditional + Full Cut Off Mode
- Chip: SMD 2835, R9 >50, CRI >80
- Operating Temperature: -4° - 122° F
- Lens:
 - Front: PC Ribbed Lens
 - Bottom: PC w/ Optics
- Average life (L70) of 70,000 hours

Applications:

- Walkways & Pathways
- Parking Lots
- Hospitality, Multi-Family
- Outdoor Corridors
- Residential, Commercial and Industrial

Product Information:

- Sturdy die-cast aluminum housing finished with corrosion free powder coat
- Slim in size and easy to install
- Photocell is included with an easy quick disconnect
- Instant-On to full brightness

Driver Options:

- UNV: 120-277V 0-10V Dimmable
- HV: 277-480V 0-10V Dimmable
- Built in 6Kv Surge Protector
- THD: <20% (+/-5% tolerance), PF >0.9, 50/60Hz

Mounting & Installation:

- Five 1/2" knockouts: 1 one each side for convenient installation

Certifications:

- UL Listed for USA and CA
- DLC Listed
- ROHS Compliant
- Approved for CA T24
- 5 Year Limited Warranty
- FCC CFR 47, GCC Part 15, Subpart B:2017



WATT	LUMENS
60	8,100
80	10,800
100	13,500

Series	Finish ¹	Voltage	Photocell	Sensor ²	Emergency	Surge Protector	Optional Accessories (Order Separately)	
LED-WPF-FC-21-3P100-TRI -			PC Photocell is included.				Remote for Sensors	Shield
	BZ Bronze (Standard)	UNV 120-277V		(blank) No Sensor	(blank) No Emergency	(blank) 6KV Built in		
	BL Black (Standard)	HV 277-480V		BMS Bi-Level Motion + Daylight Sensor (S-BMS-EXT-1)	EMB Emergency Backup	20KV 20KV Surge Protector	S-LINE-R S-Line Remote	WPF-SL-SHIELD Shield
	WH¹ White			BMSBT Bi-Level Motion + Daylight Sensor -Bluetooth Control-(S-BMS-EXT-1-BT)				
	GRY¹ Gray							
	CS¹ Custom Color							

1. Standard quickship is bronze. Other colors are custom finishes

2. Sensors require remote for programming

Specs and model numbers are subject to change with or without notice.

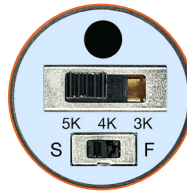
FEATURES



PC Ribbed Lens



Photocell with Optics



3-CCT Selectable
+
3-Power Selectable
+
Selectable Photocell

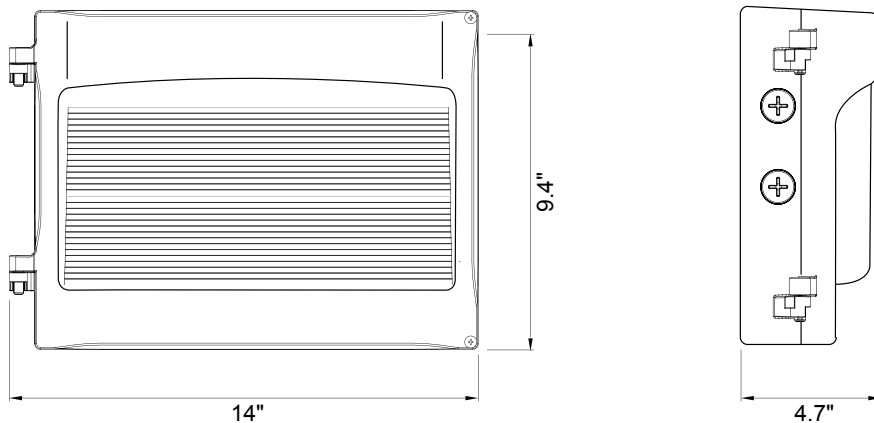


1/2" Knockout



1/2" Knockout

DIMENSIONS



Full Cut Off Wall Packs: Full-FC-Line

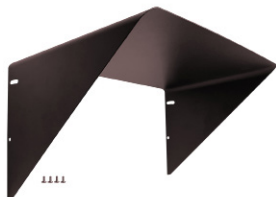
3-CCT + 3-Power + Selectable Photocell



S-LINE-R



S-BMS-EXT-1
S-BMS-EXT-1-BT



WPF-SL-SHIELD

WALL PACK

Model	Voltage	Watts	Lumens	Color	CRI
LED-WPF-FC-21-3P100-TRI-BZ-PC	120-277V	100/80/60W	13,500/10,800/8,100	30/40/50k	>80
LED-WPF-FC-21-3P100-TRI-BL-PC	120-277V	100/80/60W	13,500/10,800/8,100	30/40/50k	>80

REMOTE CONTROL

Accessory Model	Description
S-LINE-R	Remote for S-LINE Series Sensors

HB-LINE-SENSORS

Model	Item Description	Voltage	Watts
S-BMS-EXT-1	S-Line: Bi Level Motion Sensor w/ Daylight Harvesting, Ideal for use with LED WALLPACKS. 12V 12V Aux REQD. (Remote Required)	12V	<1w
S-BMS-EXT-1-BT	S-Line: Bi Level Motion Sensor w/ Daylight Harvesting, Ideal for use with Wallpacks. 12V 12V Aux REQD. (Remote Required)	12V	<1w

SHIELD

Accessory Model	Description
WPF-SL-SHIELD	Cout off shield

Specs and model numbers are subject to change with or without notice.