

Slime-Line: Round Canopy Fixtures

3-CCT & 3-Power Selectable



Detail Specification:

- Finish: White or Bronze
- IP Rating: Wet Location (IP65)
- Beam Angle: 150°
- Chip: SMD 2835, R9 >50, CRI >80
- 3 Step MacAdam Ellipses
- BUG Rating
 - 3P55: B3-U3-G2
 - 3P100: B3-U3-G3
- Operating Temperature: -4° - 124° F
- Lens: Clear Ribbed
- Average life (L70) of 50,000 hours

Applications:

- Utility & Storage
- Garage & Parking Structures
- Dock and loading
- Soffits
- Outdoor corridor
- Commercial and Industrial

Product Information:

- Sturdy die-cast aluminum housing finished with corrosion free powder coat
- Four 1/2" knockouts: 1 one each side for convenient installation
- Twist-C Control: Control ready receptacle built into the fixture
- Select-n-Switch Technology: 4-CCT + 3-Power Selectable

Driver Options:

- UNV: 120-277V 0-10V Dimmable
- THD: <15% (±5% tolerance), PF >0.9, 50/60Hz
- Isolated Driver
- Flicker Free

Mounting & Installation:

- 30 or 40 J-Box Surface Mount
- 3/4" Pendant Mount

Certifications:

- UL Listed for USA and CA
- DLC Premium Listed
- Approved for CA T24
- 5 Year Limited Warranty
- FCC CFR 47, GCC Part 15, Subpart B:2017

WATT	LUMENS
22	3,190
30	4,350
38.5	5,582
47	6,815
55	7,975
60	8,700
70	10,150
80	11,600
90	13,050
100	14,500



Motion Sensor

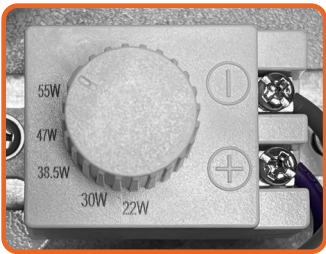
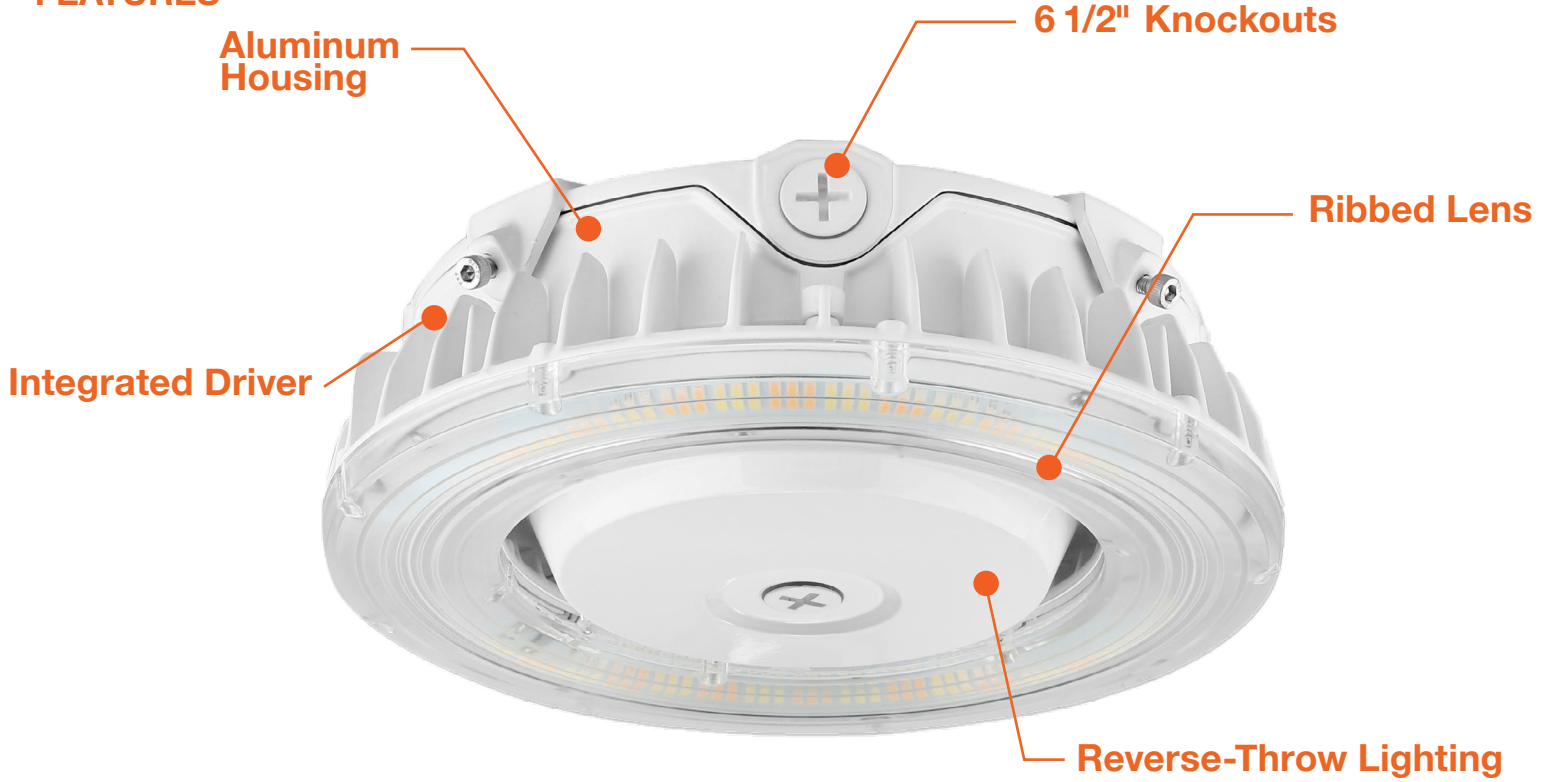


HB03R
Remote Control

Series	Wattage	CCT	EMB	Optional Accessories (Order Separately)
LED-RCP -		- TRI	-	Sensor Remote
Round Slim	5P55	30/40/50K	(Blank)	HB01DMS-A
Canopy Light	22/30/38.5/47/55W		No Emergency	Bi-Level Motion + Day-
	120-277V		Back-Up	light Sensor
	5P100		EMB	HB03R
	60/70/80/90/100W		90 Min.	Remote for HB01DMS-A
	120-277V		Emergency	
			Back-up	

Specs and model numbers are subject to change with or without notice.

FEATURES

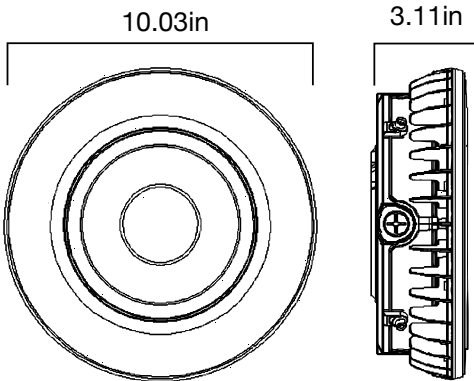


5-Watt Selectable
Select between 5 different wattages



3-CCT Selectable
Select between 3 different colors

DIMENSIONS



HB03R
Controller



HB01DMS-A
Sensor

Model	Voltage	Watts	Lumens	Color	CRI
LED-RCP-5P55W-TRI-WH	120-277V	22/30/38.5/47/55w	145lm/w	30/40/50k	>80
LED-RCP-5P55W-TRI-BZ	120-277V	22/30/38.5/47/55w	145lm/w	30/40/50k	>80
LED-RCP-5P100W-TRI-WH	120-277V	22/30/38.5/47/55w	145lm/w	30/40/50k	>80
LED-RCP-5P100W-TRI-BZ	120-277V	22/30/38.5/47/55w	145lm/w	30/40/50k	>80

ACCESSORIES

Accessory Model	Description
HB03R	Remote for HD Sensors
HB01DMS-A	Motion+Daylight Sensor (HB03R Remote Req)

Mounting:

- Easy surface mount installation with universal mounting plate
- Easy Ø 3/4" pendant mount/stem installation
- Pre-wired circuit wiring built in (3 in / 3 out)
- Ø 3/4" Knockouts located on 4 sides