



DESCRIPTION

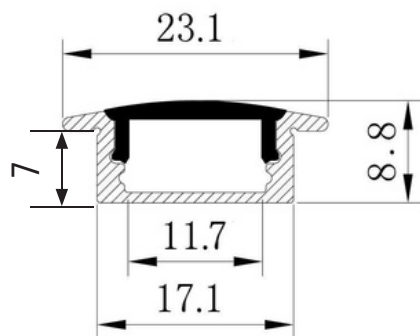
LED Slim Top Flange Aluminum Channel includes our aircraft grade aluminum channel and compatible frosted or opal white finish lens. Creating a modern and sleek style LED strip light installation has never been easier.

KEY FEATURES

- It comes in 2-meter sections and can be custom cut to any length.
- 17.1 mm wide by 8.8 mm height.
- Perfect for mounting LED Strip Light up to 10 mm in width.
- Rigid and dustproof housing can be surface or flush recess mounted.
- Includes aluminum channel, diffuser, and 2 end caps.
- The Channel lens protects LED strip light from the environment and creates diffused lighting effects. Easy to install, simply clip the diffuser lens into the aluminum channel.

SPECIFICATIONS

Channel Height: 0.35 in / 8.8 mm thick
Inside Width: 0.46 in / 11.7 mm wide
Outside Width: 0.91 in / 23.1 mm wide
Length: 78.74 in (2 m) Long
Recess Depth: 0.28 in / 7 mm deep
LED Strip Width: up to 10 mm
Lens Finish: Frosted or Opal White
Environment: Indoor Use, Dry Locations
Finish: Aluminum
Manufacturer: Elumalight



Unit: mm

APPLICATIONS

- For use with LED Strip lights up to 10 mm in width.

