



4" & 6" Adjustable Retrofit Downlights

5-CCT Selectable



Detail Specifications:

- Finish: White or Black
- Wet Location Rated
- 5-CCT Selectable: 27/30/35/40/50K
- Beam Angle: 40°
- Chip: SMD 2835, R9 >50, CRI >90
- 3 Step MacAdam Ellipses
- Operating Temperature: -40° - 114° F
- Lens: Frosted acrylic, non-yellowing
- Average life (L70) of 50,000 hours

Applications:

- General Recessed Lighting
- Residential & Multifamily
- Office and Meeting Rooms
- Education, Healthcare, Retail, Hospitality

Product Information:

- Fixture includes orange led quick connect and E26 base adapter
- Angle tilts down to 60° and rotates 360°
- Ideal for use in both remodel and new construction applications
- Die-cast aluminum housing and trim for better heat dissipation
- Select-n-Switch Technology: 5-CCT + 3-Power Selectable

Driver Options:

- 120V Triac Dimmable down to 5%
- Built in 2.5Kv Surge Protector
- Flicker Free

Mounting & Installation:

- 4": Tension clip springs fit into most 4" compatible recessed cans
- 6": Springs clips fit into most 5 & 6" compatible recessed cans
- 6": Optional tension clip available for use in old housings
- Retrofit into existing housing with E26 socket
- Can be removed from below the ceiling for service or replacement

Certifications:

- ETL Listed for USA and CA
- Energy Star Certified
- CA Title 24 JA8-2022 CEC Listed
- Meets LM-79 & LM-80 Standards
- FCC CFR 47, GCC Part 15, Subpart B:2017
- IC Rated and ASTM-E283 Air-Tight
- Complies with UL 263, ASTM E119, CAN ULC S101
- 5 Year Limited Warranty

Series

- LED-DL-ADJ-4-10W-5CCT-WH**
10W • 750Lm • White Finish
- LED-DL-ADJ-4-10W-5CCT-BLK**
10W • 750Lm • Black Finish
- LED-DL-ADJ-5/6-16.5W-5CCT-WH**
16.5W • 1200Lm • White Finish
- LED-DL-ADJ-5/6-16.5W-5CCT-BLK**
16.5W • 1200Lm • Black Finish

Optional Accessories (Order Separately)

Housing & Cans

- C4-NC-ICAT-LED**
4" IC Rated Can:
New Construction
- C4-RM-ICAT-LED**
4" IC Rated Can: Retrofit
- C6-NC-ICAT-LED**
6" IC Rated Can:
New Construction
- C6-RM-ICAT-LED**
6" IC Rated Can: Retrofit

Fire Rated Housings & Cans

- C4-NC-ICAT-LED-FR**
4" IC Rated Can: New Construction
- C6-NC-ICAT-LED-FR**
6" IC Rated Can: New Construction

Emergency Backup 1 (Field Install)

- LED-EMB-25W**
-HV-0/10V-2P
Up to 24W fixtures

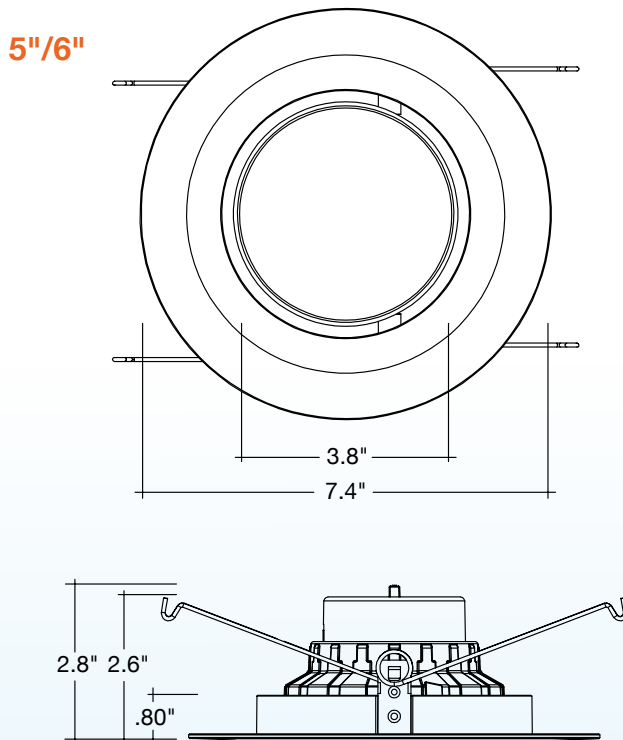
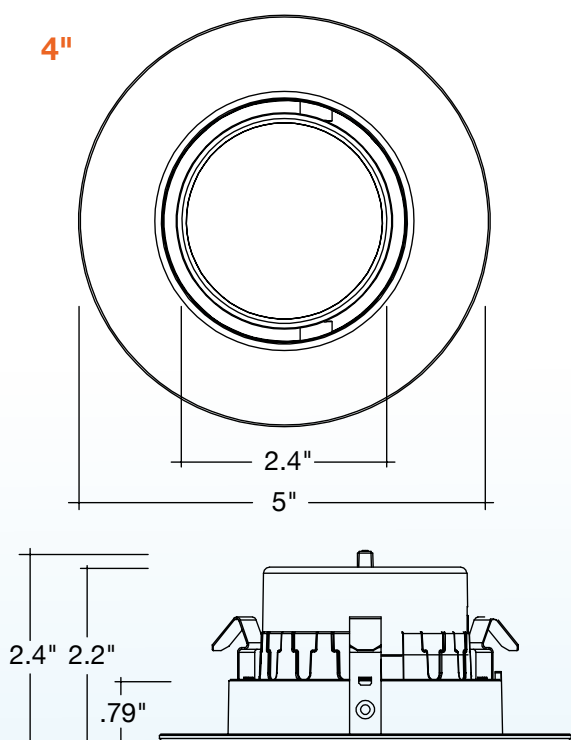
1. Field installable.
Lasts 90 minutes.

Specs and model numbers are subject to change with or without notice.

FEATURES



DIMENSIONS

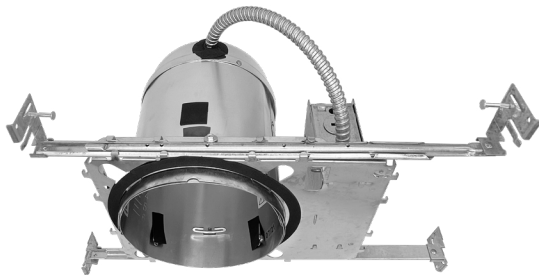


Specs and model numbers are subject to change with or without notice.

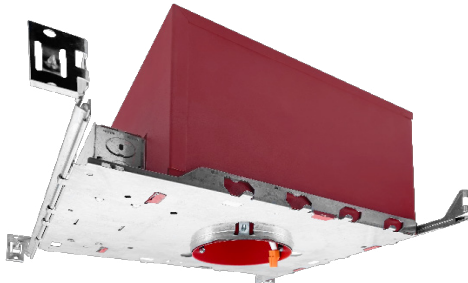
ACCESSORIES



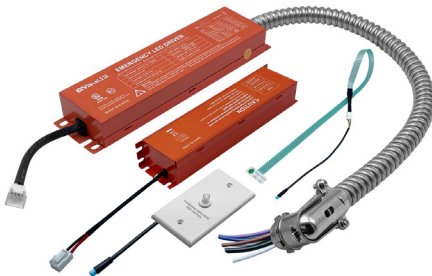
C4-RM-ICAT-LED
C6-RM-ICAT-LED



C4-NC-ICAT-LED
C6-NC-ICAT-LED



C4-NC-ICAT-LED-FR
C6-NC-ICAT-LED-FR



LED-EMB-25W-HV-0/10V-2P

Model	Voltage	Watts	Lumens	Color	CRI
LED-DL-ADJ-4-10W-5CCT-WH	120V	10w	750	27/30/35/40/50K	>90
LED-DL-ADJ-4-10W-5CCT-BLK	120V	10w	750	27/30/35/40/50K	>90
LED-DL-ADJ-5/6-16.5W-5CCT-WH	120V	16.5w	1200	27/30/35/40/50K	>90
LED-DL-ADJ-5/6-16.5W-5CCT-BLK	120V	16.5w	1200	27/30/35/40/50K	>90

HOUSING & CANS

Model	Voltage	Description
C4-NC-ICAT-LED	120-277V	4" IC Rated Can (New Construction)
C4-RM-ICAT-LED	120-277V	4" IC Rated Can (Remodel)
C6-NC-ICAT-LED	120-277V	6" IC Rated Can (New Construction)
C6-RM-ICAT-LED	120-277V	6" IC Rated Can (Remodel)

FIRE RATED HOUSING & CANS

Model	Voltage	Description
C4-NC-ICAT-LED-FR	120-277V	4" Fire Rated IC Can (New Construction)
C6-NC-ICAT-LED-FR	120-277V	6" Fire Rated IC Can (New Construction)

BATTERY BACK-UP

Accessory	Description
LED-EMB-25W-HV-0/10V-2P	Up to 24W fixtures

TESTED COMPATIBLE DIMMERS

Other dimmers may be compatible but have not been tested. Please contact us for more information.

Lutron	Leviton
TG-600PR-WH	6672
S-600PR-WH	6674
CTCL-153PDH-WH	DSL06
SLV-600P-AL	PD-6WCL
DV-600PR-WH	MACL-153M/MA-R
SCL-153PH-WH	
GT-600P	
DVCL-153P	
RNL06	
MSCL-OP153M	
IPL06	

Specs and model numbers are subject to change with or without notice.