

# RDL SERIES

RESIDENTIAL LIGHTING

**WESTGATE**  
THE FUTURE IS HERE...AND IT'S QUITE BRIGHT!

RDL6-BF-MCT5

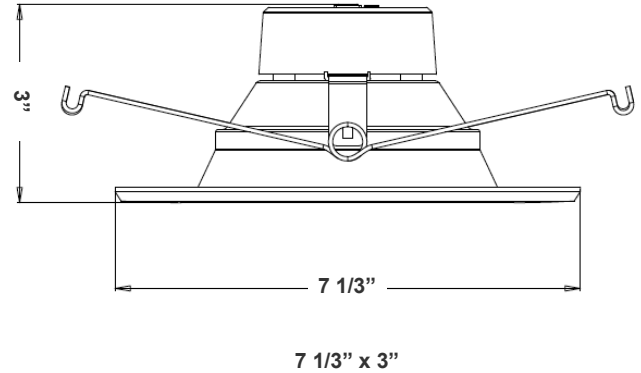


Customer Name: \_\_\_\_\_

Project Name: \_\_\_\_\_

Note: \_\_\_\_\_

Type: \_\_\_\_\_



## Features

- 6" Baffle Recessed Trim
- Multi CCT (Selectable Switch on the Back of the driver )
- Isolated Driver for Improved Thermal Management
- 5-Year Warranty
- Spun Aluminum with White Powder Coat Finish

## Technical Specification

### Electrical:

- Voltage: 120V AC
- Output Voltage: 36VDC
- Power Factor: >0.90
- Wattage: 15W
- Efficacy: 85 LPW
- Total Harmonic Distortion: ≤15 %

### Mechanical:

- Spun Aluminum with White Powder Coat Finish
- Includes 8" Medium Base E-26 Screw-in Adapter That Fits any Standard Incandescent Down-light
- Maximum Ambient Temperature: 104°F
- Fits in Standard 6" Recessed Housings
- Rated life: 50,000 hrs
- Suitable For Wet Location

### Lighting:

- Dimming: TRIAC Dimming (Using Standard TRIAC LED Dimmers)
- LED: Epistar Chip (COB) and Driver—35,000-hour Design Life
- Can Rotate after Installation to Align
- Optics: White Translucent Acrylic Lens
- Total Lumens: 1275LM
- Multi Color Temperatures: 2700K/ 3000K/ 3500K/ 4000K/ 5000K
- Multi CCT (Selectable Switch on the Back of the Driver )
- Color Rendering Index: CRI ≤ 90

### Applications:

- LED retrofit trim have been designed to be a flexible lighting solution for retrofit and new construction applications, Ideal for closets, storage areas, attics, corridors, or general lighting solutions for residential and commercial applications

### Other Models:

- 10W | 700LM | RDL4-BF-MCT5

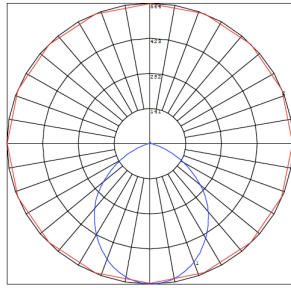
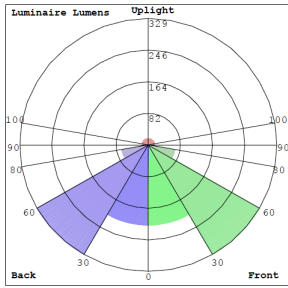


Phone: (877) 805-2252 | Fax: (877) 805-2252  
www.westgatemfg.com

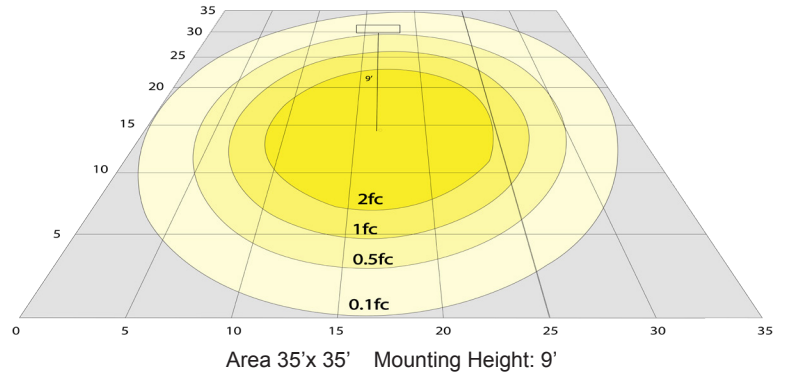


WG-ZY-24-2Z

## Photometrics: RDL6-BF-MCT5

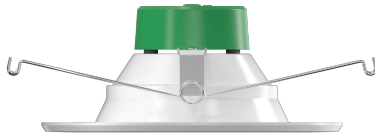


BUG Rating: B1-U2-G0



Area 35'x 35' Mounting Height: 9'

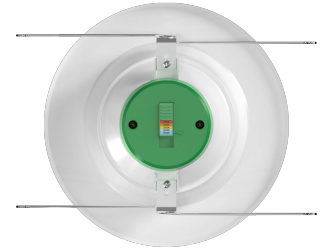
## Other Views:



Side View



Front View



Back View

## Performance Table: RDL6-BF-MCT5

| MODEL NO.    | Wattage | Voltage | Lumens | Color Temp.                   | BUG Rating | LPW |
|--------------|---------|---------|--------|-------------------------------|------------|-----|
| RDL6-BF-MCT5 | 15W     | 120V    | 1275LM | 2700K/3000K/3500K/4000K/5000K | B1-U2-G0   | 85  |

## Sample Ordering

Model Style Color Temp.  
 -  -

### Accessories:

Blank = No Option For Accessories  
**RDL6-BF-TRMB-BK** = RDL6-BF SERIES COLOR TRIM, BAFFLE BLACK  
**RDL6-BF-TRMB-BN** = RDL6-BF SERIES COLOR TRIM, BAFFLE BRUSHED NICKEL  
**RDL6-BF-TRMB-ORB** = RDL6-BF SERIES COLOR TRIM, BAFFLE OIL-RUBBED BRONZE  
**RDL6-BF-TRMB-WH** = RDL6-BF SERIES COLOR TRIM, BAFFLE WHITE  
**RDL6-BF-TRMS-BK** = RDL6-BF SERIES COLOR TRIM, SMOOTH BLACK  
**RDL6-BF-TRMS-BN** = RDL6-BF SERIES COLOR TRIM, SMOOTH BRUSHED NICKEL  
**RDL6-BF-TRMS-ORB** = RDL6-BF SERIES COLOR TRIM, SMOOTH OIL-RUBBED BRONZE  
**RDL6-BF-TRMS-WH** = RDL6-BF SERIES COLOR TRIM, SMOOTH WHITE  
**E26-CONVERTER** = SCREW-IN ADAPTER THAT FITS ANY STANDARD

### Factory-installed Option:

Blank = No Option For Accessories  
**OPT-EM-DL1EXT** = EXTERNAL BATTERY BACKUP

### ACCESSORY:



### FACTORY-INSTALLED OPTION:



## Example:

- RDL6-BF-MCT5 (FOR RDL6 15W MCT5 FIXTURE 120V)
- RDL6-BF-MCT5 OPT-EM-DL1EXT (FOR RDL6 15W MCT5 FIXTURE 120V) (EXTERNAL BATTERY BACKUP)



## Compatible Dimmer List:

| MODEL NO.                               | BRAND   | MODEL NO.                               | BRAND   |
|---|---------|---|---------|
| LUXDM600-12 600W                        | ALMOND  | S-600-IV 600W                           | LUTRON  |
| SDM3/1000/WHTTE 1000W                   | AH      | S-600-AL 600W                           | LUTRON  |
| SDM/600/WHTTE 600W                      | AH      | D-600R-IV 600W                          | LUTRON  |
| 18024 600W                              | GE      | DV-603PH-WH 600W                        | LUTRON  |
| 6683 600W                               | LEVITON | S-603PH-WH 600W                         | LUTRON  |
| 6631-LA 600W                            | LEVITON | AY-600P-WH                              | LUTRON  |
| LIGHT ALMOND NO.6672 600W               | LEVITON | AYCL-153PH                              | LUTRON  |
| 603-6631-A 600W                         | LEVITON | SELV-300P-WH                            | LUTRON  |
| 6631-A 600W                             | LEVITON | DV-600P-WH                              | LUTRON  |
| White/Lvory/Light Almond IPI10-1LZ 600W | LEVITON | SCL-153PH-WH                            | LUTRON  |
| DV-603P600W                             | LUTRON  | MACL-153MH-WH                           | LUTRON  |
| S-600 600W                              | LUTRON  | DVCL-253PH                              | LUTRON  |
| DV-603PH-WH 600W                        | LUTRON  | MSCL-OP153MH-WH                         | LUTRON  |
| DV-600PH-WH 600W                        | LUTRON  | MACL-153MLH-WH                          | LUTRON  |
| S-603PGH-WH 600W                        | LUTRON  | 6683 600W                               | LEVITON |
| S-10PH 1000W                            | LUTRON  | 6631-LA 600W                            | LEVITON |
| D-600RH-DK 600W                         | LUTRON  | LIGHT ALMOND NO.6672 600W               | LEVITON |
| TG-600PH-WH 600W                        | LUTRON  | 603-6631-A 600W                         | LEVITON |
| SCL-153P-WH 600W                        | LUTRON  | 6631-A 600W                             | LEVITON |
| D-600R-WH 600W                          | LUTRON  | White/Lvory/Light Almond IPI10-1LZ 600W | LEVITON |

