



**PRODUCT FEATURES****Directional Beam**

Great for sloped ceilings and highlighting artwork

**1" Thin Install**

Install where ceiling space is limited

**Tilting Adjustment**

Experience 180° of adjustment with our new tilting snaptrim

**Spring Clips**

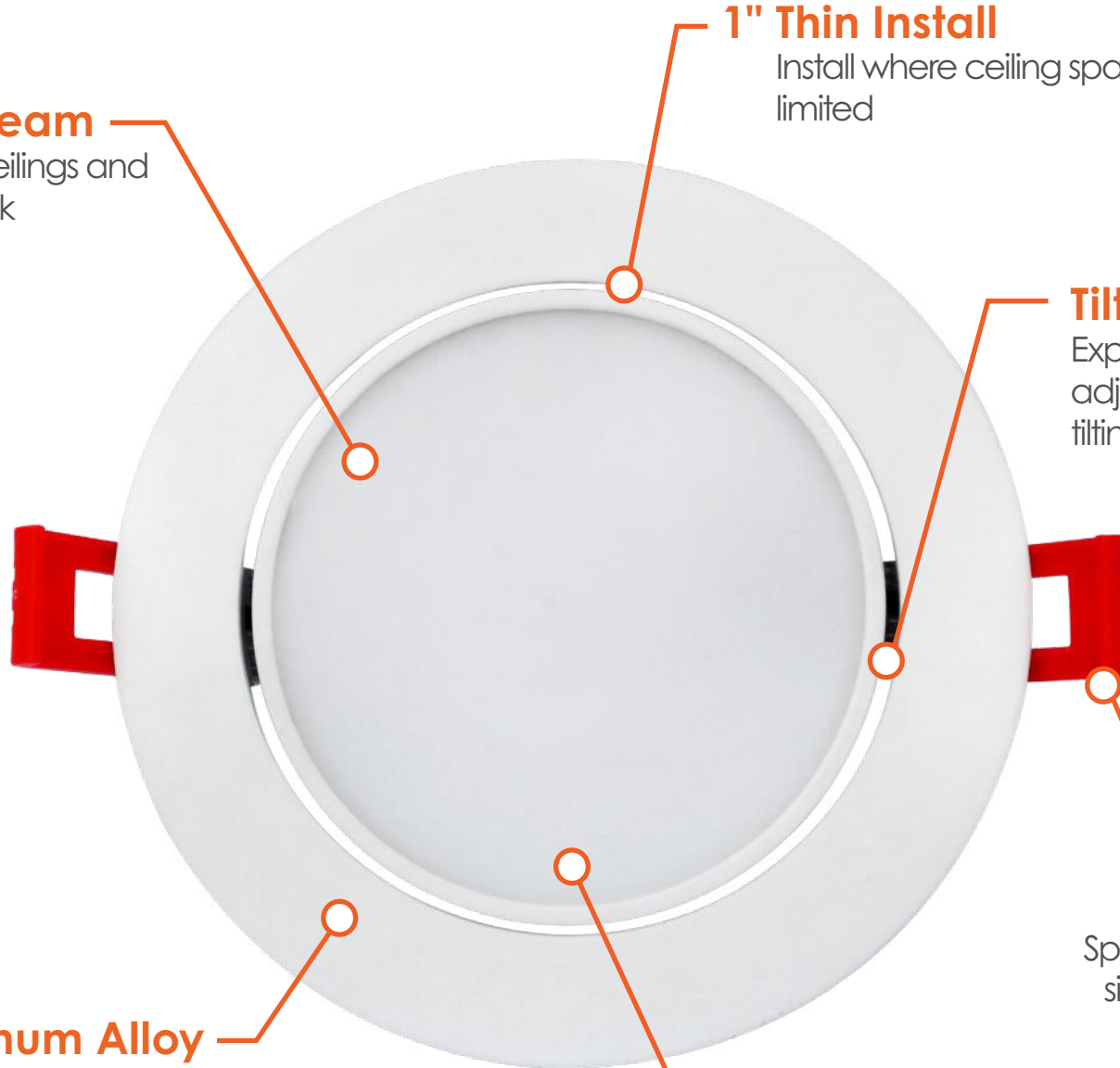
Spring clips attached to the sides of this fixture allow for easy installation

**Die-Cast Aluminum Alloy**

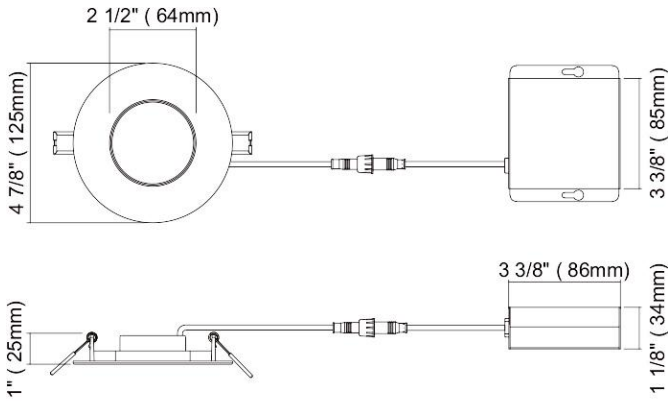
Our fixture is made with die-cast aluminum alloy for optimal heat dissipation

**Selectable Color Temps.**

Depending on fixture, easily choose between a variety of color temperatures, from 30/40/50k for -TRI fixtures, and 27/30/35/40/50K for -5CCT fixtures

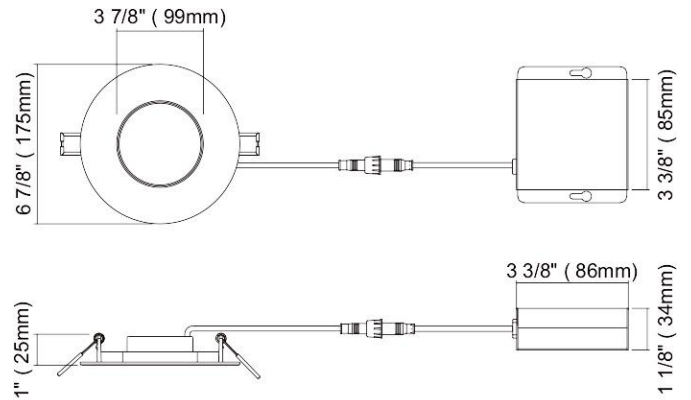


## DIMENSIONS



Cut out: 4 1/4" (107.95mm)

**4" Round**



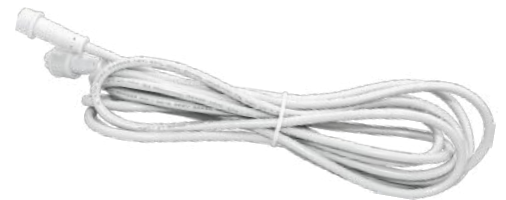
Cut out: 6 1/4" (158.75mm)

**6" Round**

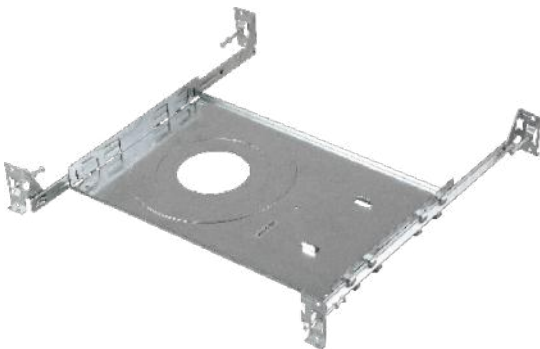
## ACCESSORIES

Accessory Model	Description
JBX-EXT-6'-TRI	6' J-Box Connector Extension Cable
JBX-EXT-10'-TRI	10' J-Box Connector Extension Cable
C4-JBX-RI	4" Rough-In Plate (6 1/2" x 13 1/4")
C6-JBX-RI	6" Rough-In Plate (8 1/2" x 17 1/4")
CUNV-NC-ICAT	2/3/4/6" Pre-Mounting Plate

**JBX-EXT**  
Extension Cable (6'/10')



**CUNV-NC-ICAT**  
Universal Pre-Mounting Plate



**C4-JBX-RI**  
4" Rough-In Plate



**C6-JBX-RI**  
6" Rough-In Plate

