

### PRODUCT DESCRIPTION

Can-less LED recessed downlights are designed for easy installation into new construction or remodel applications. Each downlight includes an Selectable CCT switch located on the junction box. Slim wafer design makes the fixtures ideal for shallow plenums with a regressed baffle trim appearance.

### FEATURES

- Packaged in case quantities of 12
- Five color temperatures in each fixture (2700K / 3000K / 3500K / 4000K / 5000K)
- No housing required and includes pre-wired junction box
- Quick installation and cost savings
- IC Air-Tight rated
- cETLus Listed for Wet Locations
- 5-year limited warranty

### SPECIFICATION

**Construction:** Dead front (non-metallic) luminaire with spring clips for easy installation. Regressed lens with sharp baffle cuts reduces aperture brightness. Special polymer lens produces more usable light and lumens per watt.

**Air Flow Restriction:** Luminaire has factory installed gasket to restrict airflow from room into ceiling plenum to <2CFM (cubic feet per minute) in accordance with ASTM-283 Air-Tight requirements.

**Junction Box:** Pre-wired junction box includes quick connect to LED fixtures for ease of installation. Junction box includes two 1/2" and two 3/8" knockouts and snap on cover. Maximum of 4 No. 12 AWG through branch circuit conductor suitable for 90°C permitted in box. [Fixture wire length: 6" and Junction box wire length: 10"]

**Mounting:** No housing is required, two tensions steel spring clips secure luminaires to the ceiling. Luminaires accept ceiling thicknesses from 3/8" to 5/8". New construction frame-ins are available, see accessories.

**Minimum clearance:** "IC" Insulated ceiling luminaires are direct contact rated; no minimum clearance is required.

### ELECTRICAL

**Voltage:** 120VAC  
**Lumens / Wattage:** 750lm / 10W (4") & 1050lm / 13.5W (6")  
**Color Temperature:**  
Selectable CCT: 2700K / 3000K / 3500K / 4000K / 5000K  
(Note: Preset to 3000K)  
**Color Rendering Index:** 90+ CRI  
**Beam Spread:** 112° Wide Flood  
**Operating Temperature:** 0°C to 35°C ambient temperature  
**Lifetime:** 50,000 hours @ L70  
**Dimming:** Triac or ELV  
[Click Here](#) or check complete dimmer list at [www.NoraLighting.com](http://www.NoraLighting.com) in the "Compatibility" page under "Resources" tab

### OPTIONAL ACCESSORIES

**NEFLINTW-4OR-MPW:** Oversize Ring for 4" Downlight  
**NEFLINTW-6OR-MPW:** Oversize Ring for 6" Downlight  
**NEFLINTW-EW-4:** 4' Quick Connect Linkable Cable  
**NEFLINTW-EW-20:** 20' Quick Connect Linkable Cable  
**NEPK-20LEDUNV:** Emergency Driver w/Remote Test Switch  
**NF-R246:** Universal New Construction Frame-In for 4" & 6"  
**NFC-R430:** New Construction Frame-In with Collar for 4"  
**NOZ-6R-F:** New Construction Frame-In with Collar for 6"

**Emergency:** Luminaire is compatible with NEPK-20LEDUNV (ordered separately). Remote mounted battery operates luminaire for 90 minute emergency operation with a fully charged battery.

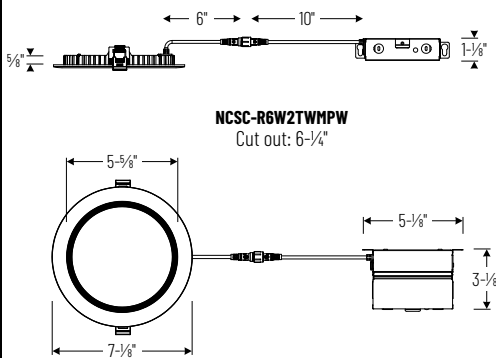
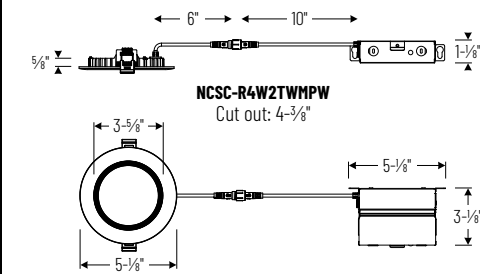
### LABELS AND LISTINGS

- cETLus Listed for Wet locations
- Certified to the high efficacy requirements of California Title 24 JA8-2022
- [5-Year Limited Warranty](#)
- FCC Compliant



Performance Data			
Part Number	4" Lumens	6" Lumens	CCT
NCSC-RXW	675lm	964lm	2700K
NCSC-RXW	717lm	1017lm	3000K
NCSC-RXW	763lm	1071lm	3500K
NCSC-RXW	760lm	1075lm	4000K
NCSC-RXW	699lm	1008lm	5000K

### PRODUCT IMAGES AND DIMENSIONS



SOLD IN PACKS OF 12

CATALOG NUMBER	UPC	CASE QTY.	DESCRIPTION	LUMENS / WATTAGE	PALLET QTY.
NCSC-R4W2TWMPW	732180816842	12 PCS.	4" Can-less LED Wafer Downlight with Regressed Baffle	750lm / 10W	108
NCSC-R6W2TWMPW	732180816859	12 PCS.	6" Can-less LED Wafer Downlight with Regressed Baffle	1050lm / 13.5W	96

### OPTIONAL ACCESSORIES

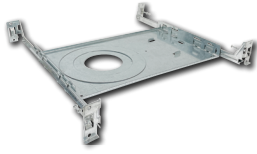
CATALOG NUMBER	UPC	CASE QTY.	DESCRIPTION
NEFLINTW-4OR-MPW	732180020119	1 PC.	Oversize Ring for 4" Downlight
NEFLINTW-6OR-MPW	732180020126	1 PC.	Oversize Ring for 6" Downlight
NEFLINTW-EW-4	732180018765	1 PC.	4' Quick Connect Extension Cable
NEFLINTW-EW-20	732180018826	1 PC.	20' Quick Connect Extension Cable
NEPK-20LEDUNV	732180780303	1 PC.	Emergency Battery with Remote Test Switch
NF-R246	732180803002	1 PC.	Universal New Construction Frame-In for 4" & 6" Downlights
NFC-R430	732180803064	1 PC.	New Construction Frame-In with Collar for 4" Downlight
NOZ-6R-F	732180379293	1 PC.	New Construction Frame-In with Collar for 6" Downlight

Example: **NCSC-R6W2TWMPW** = 6" Can-less LED Wafer Downlight with Regressed Baffle, Selectable CCT, Matte Powder White Finish, 120VAC input; Triac or ELV dimming (Bulk Pack: 12 Pieces)

# NCSC-R4W / NCSC-R6W

4" & 6" Can-less LED Wafer Downlight with Regressed Baffle Accessories

Type
Project
Catalog No.
Notes



Universal New Construction Frame-In for 4" & 6" Downlights

**NF-R246**

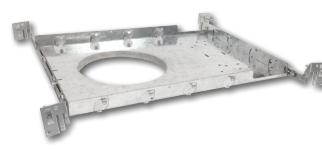
New construction frame-in can be used to assist installing can-less recessed downlighting. Helps indicate wiring location and cutting guide.



New Construction Frame-In with Collar for 4" Downlight

**NFC-R430**

New construction frame-in can be used to assist installing can-less recessed downlighting.



New Construction Frame-In with Collar for 6" Downlight

**NQZ-6R-F**

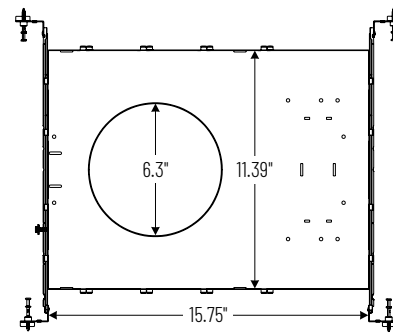
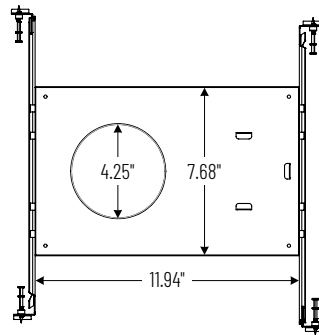
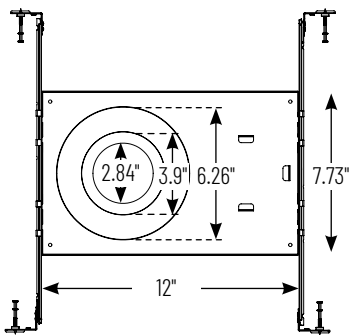
New construction frame-in can be used to assist installing can-less recessed downlighting.



Emergency Battery with Remote Test Switch

**NEPK-20LEDUNV**

120-277V Emergency battery operates luminaire for 90 minute emergency operation with a fully charged battery. Requires 24 hours to for full charge.



Quick Connect Extension Linkable Cables

**NEFLINTW-EW-4**  
**NEFLINTW-EW-20**

4' Cable  
10' Cable

Use to extend the length between luminaire and driver enclosure. Can be connected together to create custom lengths. Maximum length between luminaire and driver is 40'. For longer remote driver remote run length, consult factory.



Oversize Ring for 4" Downlight

**NEFLINTW-4OR-MPW**

Oversize ring covers ceiling cut-outs up to 5-1/4"



Oversize Ring for 6" Downlight

**NEFLINTW-6OR-MPW**

Oversize ring covers ceiling cut-outs up to 7-1/4"

# PHOTOMETRICS

## 4" Can-less LED Wafer Downlight with Regressed Baffle Contractor Series

Type

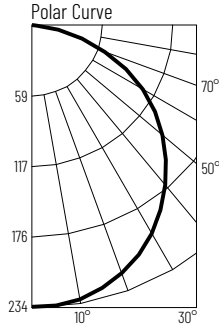
Project

Catalog No.

Notes

### Test Information

Test Number: NTR2306R1  
 Part Number: NCSC-R4W2TWMPW  
 Beam Spread: 114° Wide Flood  
 Lumens: 675lm  
 Wattage: 9.35W  
 Efficacy: 72lpw  
 CCT / CRI: 2700K / 90 CRI  
 Spacing Criteria (0°-180°): 1.28  
 Spacing Criteria (90°-270°): 1.28



### Illuminance at a Distance

Distance from Luminaire	FC at Nadir	Beam Diameter
4'	14.6fc	12"-5"
6'	6.5fc	18"-7"
8'	3.7fc	24"-10"
10'	2.3fc	30"-11"
12'	1.6fc	37"-1"

### Zonal Lumen Summary

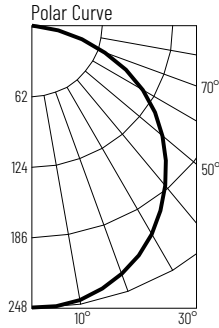
Zone	Lumens	% Luminaire
0-30	150	22.3
0-40	251	37.2
0-60	517	76.7
0-90	675	100
90-180	0	0
0-180	675	100

### Candela Table

Vertical Angles	Candela
0	234
5	232
15	224
25	209
35	187
45	158

### Test Information

Test Number: NTR2307R1  
 Part Number: NCSC-R4W2TWMPW  
 Beam Spread: 114° Wide Flood  
 Lumens: 717lm  
 Wattage: 9.2W  
 Efficacy: 78lpw  
 CCT / CRI: 3000K / 90 CRI  
 Spacing Criteria (0°-180°): 1.28  
 Spacing Criteria (90°-270°): 1.28



### Illuminance at a Distance

Distance from Luminaire	FC at Nadir	Beam Diameter
4'	15.5fc	12"-5"
6'	6.9fc	18"-7"
8'	3.9fc	24"-10"
10'	2.5fc	31"
12'	1.7fc	37"-2"

### Zonal Lumen Summary

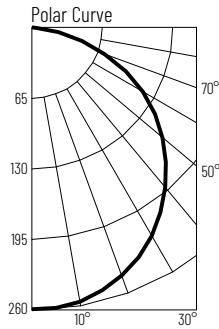
Zone	Lumens	% Luminaire
0-30	193	27
0-40	318	44.3
0-60	566	78.9
0-90	717	100
90-180	0	0
0-180	717	100

### Candela Table

Vertical Angles	Candela
0	248
5	247
15	239
25	223
35	199
45	168

### Test Information

Test Number: NTR2308R1  
 Part Number: NCSC-R4W2TWMPW  
 Beam Spread: 115° Wide Flood  
 Lumens: 763lm  
 Wattage: 8.93W  
 Efficacy: 85lpw  
 CCT / CRI: 3500K / 90 CRI  
 Spacing Criteria (0°-180°): 1.28  
 Spacing Criteria (90°-270°): 1.28



### Illuminance at a Distance

Distance from Luminaire	FC at Nadir	Beam Diameter
4'	16.3fc	12"-8"
6'	7.2fc	19'
8'	4.1fc	25"-5"
10'	2.6fc	31"-8"
12'	1.8fc	38"

### Zonal Lumen Summary

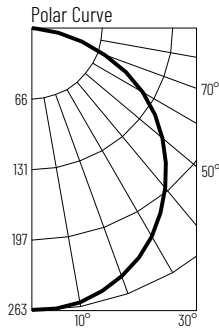
Zone	Lumens	% Luminaire
0-30	203	26.7
0-40	334	43.8
0-60	598	78.4
0-90	763	100
90-180	0	0
0-180	763	100

### Candela Table

Vertical Angles	Candela
0	260
5	259
15	250
25	234
35	210
45	178

### Test Information

Test Number: NTR2309R1  
 Part Number: NCSC-R4W2TWMPW  
 Beam Spread: 115° Wide Flood  
 Lumens: 760lm  
 Wattage: 9.01W  
 Efficacy: 84lpw  
 CCT / CRI: 4000K / 90 CRI  
 Spacing Criteria (0°-180°): 1.28  
 Spacing Criteria (90°-270°): 1.28



### Illuminance at a Distance

Distance from Luminaire	FC at Nadir	Beam Diameter
4'	16.4fc	12"-6"
6'	7.3fc	18"-10"
8'	4.1fc	25"-1"
10'	2.6fc	31"-4"
12'	1.8fc	37"-7"

### Zonal Lumen Summary

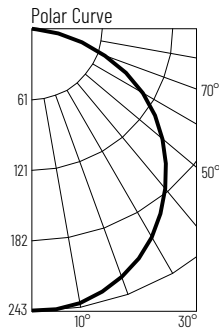
Zone	Lumens	% Luminaire
0-30	205	27
0-40	337	44.3
0-60	600	78.9
0-90	760	100
90-180	0	0
0-180	760	100

### Candela Table

Vertical Angles	Candela
0	263
5	261
15	253
25	236
35	211
45	178

### Test Information

Test Number: NTR2310R1  
 Part Number: NCSC-R4W2TWMPW  
 Beam Spread: 114° Wide Flood  
 Lumens: 699lm  
 Wattage: 9.28W  
 Efficacy: 75lpw  
 CCT / CRI: 5000K / 90 CRI  
 Spacing Criteria (0°-180°): 1.28  
 Spacing Criteria (90°-270°): 1.28



### Illuminance at a Distance

Distance from Luminaire	FC at Nadir	Beam Diameter
4'	15.1fc	12"-4"
6'	6.7fc	18"-6"
8'	3.8fc	24"-8"
10'	2.4fc	30"-11"
12'	1.7fc	37"

### Zonal Lumen Summary

Zone	Lumens	% Luminaire
0-30	189	27
0-40	310	44.3
0-60	552	78.9
0-90	699	100
90-180	0	0
0-180	699	100

### Candela Table

Vertical Angles	Candela
0	242
5	241
15	233
25	217
35	193
45	164

# PHOTOMETRICS

## 6" Can-less LED Wafer Downlight with Regressed Baffle Contractor Series

Type

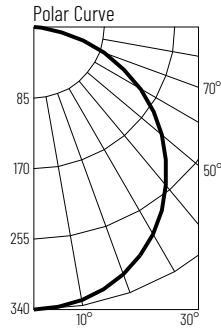
Project

Catalog No.

Notes

### Test Information

Test Number: NTR2316R1  
 Part Number: NCSC-R6W2TWMPW  
 Beam Spread: 112° Wide Flood  
 Lumens: 964lm  
 Wattage: 12.15W  
 Efficacy: 79lpw  
 CCT / CRI: 2700K / 90 CRI  
 Spacing Criteria (0°-180°): 1.26  
 Spacing Criteria (90°-270°): 1.26



### Illuminance at a Distance

Distance from Luminaire	FC at Nadir	Beam Diameter
4'	21.3fc	12'
6'	9.5fc	18'
8'	5.3fc	23'-11"
10'	3.4fc	29'-11"
12'	2.4fc	35'-11"

### Zonal Lumen Summary

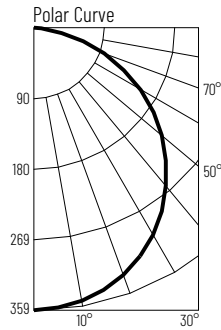
Zone	Lumens	% Luminaire
0-30	264	27.4
0-40	433	44.9
0-60	765	79.3
0-90	964	100
90-180	0	0
0-180	964	100

### Candela Table

Vertical Angles	Candela
0	340
5	339
15	327
25	304
35	270
45	226

### Test Information

Test Number: NTR2317R1  
 Part Number: NCSC-R6W2TWMPW  
 Beam Spread: 112° Wide Flood  
 Lumens: 1017lm  
 Wattage: 12W  
 Efficacy: 85lpw  
 CCT / CRI: 3000K / 90 CRI  
 Spacing Criteria (0°-180°): 1.26  
 Spacing Criteria (90°-270°): 1.26



### Illuminance at a Distance

Distance from Luminaire	FC at Nadir	Beam Diameter
4'	22.5fc	12'
6'	10fc	18'
8'	5.6fc	24'
10'	3.6fc	30'
12'	2.5fc	36'

### Zonal Lumen Summary

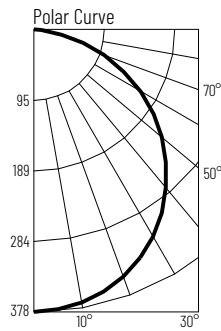
Zone	Lumens	% Luminaire
0-30	279	27.4
0-40	457	44.9
0-60	807	79.3
0-90	1017	100
90-180	0	0
0-180	1017	100

### Candela Table

Vertical Angles	Candela
0	359
5	357
15	345
25	321
35	285
45	239

### Test Information

Test Number: NTR2318R1  
 Part Number: NCSC-R6W2TWMPW  
 Beam Spread: 112° Wide Flood  
 Lumens: 1071lm  
 Wattage: 11.64W  
 Efficacy: 92lpw  
 CCT / CRI: 3500K / 90 CRI  
 Spacing Criteria (0°-180°): 1.26  
 Spacing Criteria (90°-270°): 1.26



### Illuminance at a Distance

Distance from Luminaire	FC at Nadir	Beam Diameter
4'	23.6fc	12'
6'	10.5fc	18'
8'	5.9fc	24'
10'	3.8fc	30'
12'	2.6fc	36'

### Zonal Lumen Summary

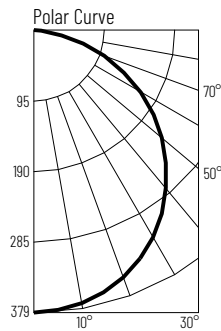
Zone	Lumens	% Luminaire
0-30	294	27.4
0-40	481	44.9
0-60	850	79.3
0-90	1071	100
90-180	0	0
0-180	1071	100

### Candela Table

Vertical Angles	Candela
0	378
5	376
15	363
25	338
35	299
45	251

### Test Information

Test Number: NTR2319R1  
 Part Number: NCSC-R6W2TWMPW  
 Beam Spread: 112° Wide Flood  
 Lumens: 1075lm  
 Wattage: 11.89W  
 Efficacy: 90lpw  
 CCT / CRI: 4000K / 90 CRI  
 Spacing Criteria (0°-180°): 1.26  
 Spacing Criteria (90°-270°): 1.26



### Illuminance at a Distance

Distance from Luminaire	FC at Nadir	Beam Diameter
4'	23.7fc	12'
6'	10.5fc	18'
8'	5.9fc	24'
10'	3.8fc	30'-1"
12'	2.6fc	36'-1"

### Zonal Lumen Summary

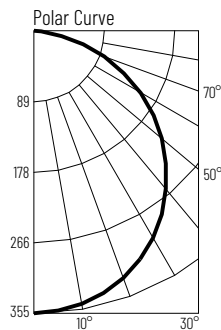
Zone	Lumens	% Luminaire
0-30	295	27.4
0-40	482	44.9
0-60	583	79.3
0-90	1075	100
90-180	0	0
0-180	1075	100

### Candela Table

Vertical Angles	Candela
0	379
5	378
15	365
25	339
35	301
45	252

### Test Information

Test Number: NTR2320R1  
 Part Number: NCSC-R6W2TWMPW  
 Beam Spread: 112° Wide Flood  
 Lumens: 1008lm  
 Wattage: 12.26W  
 Efficacy: 82lpw  
 CCT / CRI: 5000K / 90 CRI  
 Spacing Criteria (0°-180°): 1.26  
 Spacing Criteria (90°-270°): 1.26



### Illuminance at a Distance

Distance from Luminaire	FC at Nadir	Beam Diameter
4'	22.2fc	12'
6'	9.9fc	18'
8'	5.6fc	24'
10'	3.6fc	30'
12'	2.5fc	36'

### Zonal Lumen Summary

Zone	Lumens	% Luminaire
0-30	276	27.4
0-40	452	44.8
0-60	798	79.2
0-90	1008	100
90-180	0	0
0-180	1008	100

### Candela Table

Vertical Angles	Candela
0	355
5	353
15	341
25	318
35	281
45	236