

PRODUCT DESCRIPTION

Can-less LED recessed downlights are designed for easy installation into new construction or remodel applications. Each downlight includes an Selectable CCT switch located on the junction box. Deep reflector provides excellent glare control, quality of light, and efficiency.

FEATURES

- Packaged in case quantities of 12
- Five color temperatures in each fixture (2700K / 3000K / 3500K / 4000K / 5000K)
- No housing required and includes pre-wired junction box
- Quick installation and cost savings
- IC Air-Tight rated
- cETLus Listed for Wet Locations
- 5-year limited warranty

SPECIFICATION

Construction: Dead front (non-metallic) luminaire with spring clips for easy installation. Gasket included for air-tight and wet location listing without additional caulking.

Air Flow Restriction: Luminaire has factory installed gasket to restrict airflow from room into ceiling plenum to <2CFM (cubic feet per minute) in accordance with ASTM-283 Air-Tight requirements.

Junction Box: Pre-wired junction box includes quick connect to LED fixtures for ease of installation. Junction box includes two 1/2" and two 3/8" knockouts and snap on cover. Maximum of 4 No. 12 AWG through branch circuit conductor suitable for 90°C permitted in box. [Fixture wire length: 6" and Junction box wire length: 10"]

Mounting: No housing is required, two tensions steel spring clips secure luminaires to the ceiling. Luminaires accept ceiling thicknesses from 3/8" to 5/8". New construction frame-ins are available, see accessories.

Minimum clearance: "IC" Insulated ceiling luminaires are direct contact rated; no minimum clearance is required.

ELECTRICAL

Voltage: 120VAC
Lumens / Wattage: 850lm / 10W (4") & 1050lm / 12W (6")
Color Temperature: Selectable CCT: 2700K / 3000K / 3500K / 4000K / 5000K (Note: Preset to 3000K)
Color Rendering Index: 90+ CRI
Beam Spread: 100° Flood
Operating Temperature: 0°C to 35°C ambient temperature
Lifetime: 50,000 hours @ L70
Dimming: Triac or ELV
[Click Here](#) or check complete dimmer list at www.NoraLighting.com in the "Compatibility" page under "Resources" tab

OPTIONAL ACCESSORIES

NEFLINTW-EW-4: 4' Quick Connect Linkable Cable
NEFLINTW-EW-20: 20' Quick Connect Linkable Cable
NEPK-20LEDUNV: Emergency Driver w/Remote Test Switch
NF-R246: Universal New Construction Frame-In for 4" only
NFC-R430: New Construction Frame-In with Collar for 4"
NFC-R55: New Construction Frame-In with Collar for 6"

Emergency: Luminaire is compatible with NEPK-20LEDUNV (ordered separately). Remote mounted battery operates luminaire for 90 minute emergency operation with a fully charged battery.

LABELS AND LISTINGS

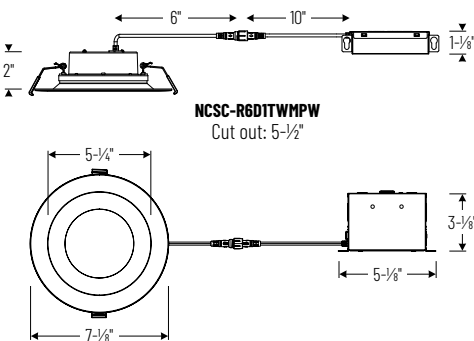
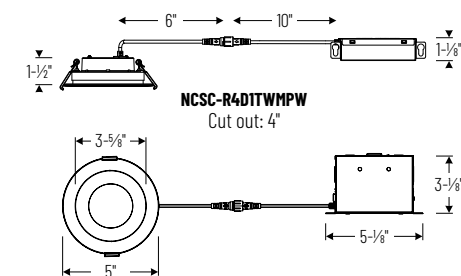
- cETLus Listed for Wet locations
- Certified to the high efficacy requirements of California Title 24 JA8-2022
- [5-Year Limited Warranty](#)
- FCC Compliant



Performance Data

Part Number	4" Lumens	6" Lumens	CCT
NCSC-RXD	756lm	899lm	2700K
NCSC-RXD	804lm	970lm	3000K
NCSC-RXD	862lm	1052lm	3500K
NCSC-RXD	853lm	1054lm	4000K
NCSC-RXD	800lm	969lm	5000K

PRODUCT IMAGES AND DIMENSIONS



SOLD IN PACKS OF 12

CATALOG NUMBER	UPC	CASE QTY.	DESCRIPTION	LUMENS / WATTAGE	PALLET QTY.
NCSC-R4DITWMPW	732180816804	12 PCS.	4" Can-less LED Downlight with Deep Reflector	850lm / 10W	90
NCSC-R6DITWMPW	732180816811	12 PCS.	6" Can-less LED Downlight with Deep Reflector	1050lm / 12W	64

OPTIONAL ACCESSORIES

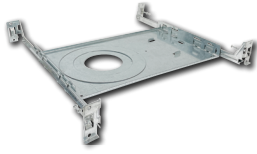
CATALOG NUMBER	UPC	CASE QTY.	DESCRIPTION
NEFLINTW-EW-4	732180018765	1 PC.	4' Quick Connect Extension Cable
NEFLINTW-EW-20	732180018826	1 PC.	20' Quick Connect Extension Cable
NEPK-20LEDUNV	732180780303	1 PC.	Emergency Battery with Remote Test Switch
NF-R246	732180803002	1 PC.	Universal New Construction Frame-In for 4" Downlight
NFC-R430	732180803064	1 PC.	New Construction Frame-In with Collar for 4" Downlight
NFC-R55	732180803132	1 PC.	New Construction Frame-In with Collar for 6" Downlight

Example: **NCSC-R6DITWMPW** = 6" Can-less LED Downlight with Deep Reflector, Selectable CCT, Matte Powder White Finish, 120VAC input; Triac or ELV dimming (Bulk Pack: 12 Pieces)

NCSC-R4D / NCSC-R6D

4" & 6" Can-less LED Downlight with Deep Reflector Accessories

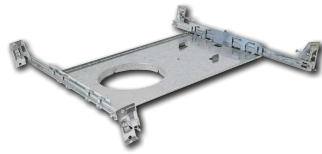
Type _____
 Project _____
 Catalog No. _____
 Notes _____



Universal New Construction Frame-In for 4" Downlight only

NF-R246

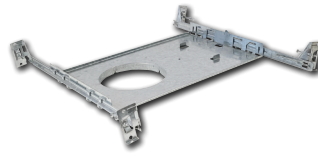
New construction frame-in can be used to assist installing can-less recessed downlighting. Helps indicate wiring location and cutting guide.



New Construction Frame-In with Collar for 4" Downlight

NFC-R430

New construction frame-in can be used to assist installing can-less recessed downlighting.



New Construction Frame-In with Collar for 6" Downlight

NFC-R55

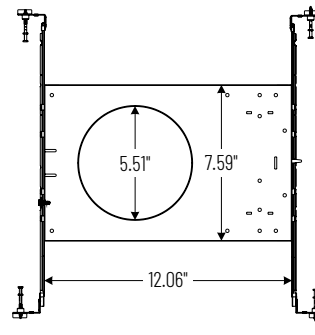
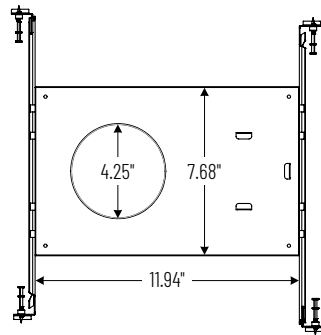
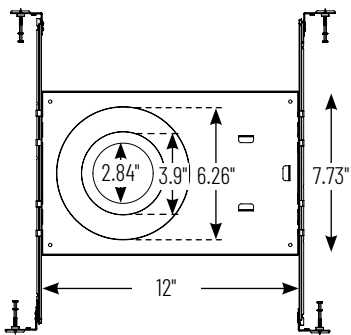
New construction frame-in can be used to assist installing can-less recessed downlighting.



Emergency Battery with Remote Test Switch

NEPK-20LEDUNV

120-277V Emergency battery operates luminaire for 90 minute emergency operation with a fully charged battery. Requires 24 hours to for full charge.



Quick Connect Extension Linkable Cables

NEFLINTW-EW-4

4' Cable

NEFLINTW-EW-20

10' Cable

Use to extend the length between luminaire and driver enclosure. Can be connected together to create custom lengths. Maximum length between luminaire and driver is 40'. For longer remote driver remote run length, consult factory.

PHOTOMETRICS

4" Can-less LED Downlight with Deep Reflector Contractor Series

Type

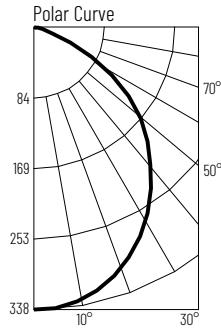
Project

Catalog No.

Notes

Test Information

Test Number: NTR2301R1
Part Number: NCSC-R4D1TWMPW
Beam Spread: 99° Flood
Lumens: 756lm
Wattage: 10.06W
Efficacy: 75lpw
CCT / CRI: 2700K / 90 CRI
Spacing Criteria (0°-180°): 1.2
Spacing Criteria (90°-270°): 1.2



Illuminance at a Distance

Distance from Luminaire	FC at Nadir	Beam Diameter
4'	21.1fc	9'-4"
6'	9.4fc	14'
8'	5.3fc	18'-7"
10'	3.4fc	23'-4"
12'	2.3fc	27'-11"

Zonal Lumen Summary

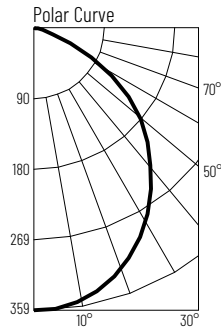
Zone	Lumens	% Luminaire
0-30	211	27.9
0-40	345	45.6
0-60	659	87.1
0-90	756	100
90-180	0	0
0-180	756	100

Candela Table

Vertical Angles	Candela
0	338
5	335
15	319
25	288
35	244
45	193

Test Information

Test Number: NTR2302R1
Part Number: NCSC-R4D1TWMPW
Beam Spread: 99° Flood
Lumens: 804lm
Wattage: 9.94W
Efficacy: 81lpw
CCT / CRI: 3000K / 90 CRI
Spacing Criteria (0°-180°): 1.2
Spacing Criteria (90°-270°): 1.2



Illuminance at a Distance

Distance from Luminaire	FC at Nadir	Beam Diameter
4'	22.4fc	9'-5"
6'	10fc	14'
8'	5.6fc	18'-8"
10'	3.6fc	23'-5"
12'	2.5fc	28'-1"

Zonal Lumen Summary

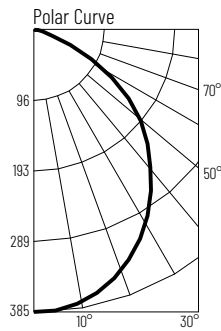
Zone	Lumens	% Luminaire
0-30	270	33.6
0-40	433	53.8
0-60	717	89.1
0-90	804	95.8
90-180	0	0
0-180	804	100

Candela Table

Vertical Angles	Candela
0	359
5	357
15	340
25	307
35	260
45	206

Test Information

Test Number: NTR2303R1
Part Number: NCSC-R4D1TWMPW
Beam Spread: 99° Flood
Lumens: 862lm
Wattage: 9.63W
Efficacy: 90lpw
CCT / CRI: 3500K / 90 CRI
Spacing Criteria (0°-180°): 1.2
Spacing Criteria (90°-270°): 1.18



Illuminance at a Distance

Distance from Luminaire	FC at Nadir	Beam Diameter
4'	24.1fc	9'-5"
6'	10.7fc	14'
8'	6fc	18'-8"
10'	3.9fc	23'-5"
12'	2.7fc	28'-1"

Zonal Lumen Summary

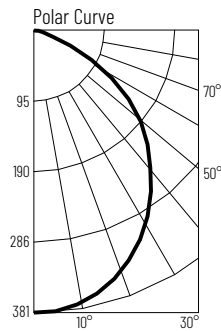
Zone	Lumens	% Luminaire
0-30	241	27.9
0-40	393	45.6
0-60	751	87.2
0-90	862	100
90-180	0	0
0-180	862	100

Candela Table

Vertical Angles	Candela
0	385
5	382
15	364
25	328
35	279
45	221

Test Information

Test Number: NTR2304R1
Part Number: NCSC-R4D1TWMPW
Beam Spread: 99° Flood
Lumens: 853lm
Wattage: 9.7W
Efficacy: 88lpw
CCT / CRI: 4000K / 90 CRI
Spacing Criteria (0°-180°): 1.2
Spacing Criteria (90°-270°): 1.2



Illuminance at a Distance

Distance from Luminaire	FC at Nadir	Beam Diameter
4'	23.8fc	9'-5"
6'	10.6fc	14'-1"
8'	6fc	18'-10"
10'	3.8fc	23'-5"
12'	2.6fc	28'-1"

Zonal Lumen Summary

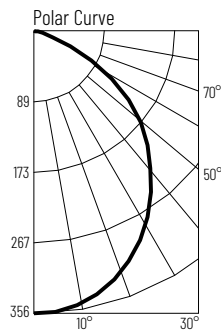
Zone	Lumens	% Luminaire
0-30	287	33.6
0-40	458	53.7
0-60	760	89.1
0-90	853	100
90-180	0	0
0-180	853	100

Candela Table

Vertical Angles	Candela
0	381
5	378
15	360
25	326
35	276
45	219

Test Information

Test Number: NTR2305R1
Part Number: NCSC-R4D1TWMPW
Beam Spread: 99° Flood
Lumens: 800lm
Wattage: 9.9W
Efficacy: 81lpw
CCT / CRI: 5000K / 90 CRI
Spacing Criteria (0°-180°): 1.2
Spacing Criteria (90°-270°): 1.2



Illuminance at a Distance

Distance from Luminaire	FC at Nadir	Beam Diameter
4'	22.3fc	9'-5"
6'	9.9fc	14'-1"
8'	5.6fc	18'-10"
10'	3.6fc	23'-6"
12'	2.5fc	28'-2"

Zonal Lumen Summary

Zone	Lumens	% Luminaire
0-30	268	33.5
0-40	429	53.6
0-60	712	89
0-90	800	100
90-180	0	0
0-180	800	100

Candela Table

Vertical Angles	Candela
0	356
5	354
15	337
25	305
35	259
45	205

PHOTOMETRICS

6" Can-less LED Downlight with Deep Reflector Contractor Series

Type

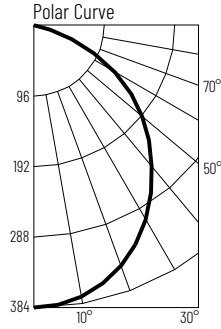
Project

Catalog No.

Notes

Test Information

Test Number: NTR2311R1
Part Number: NCSC-R6DITWMPW
Beam Spread: 100° Flood
Lumens: 899lm
Wattage: 11.4W
Efficacy: 79lpw
CCT / CRI: 2700K / 90 CRI
Spacing Criteria (0°-180°): 1.2
Spacing Criteria (90°-270°): 1.2



Illuminance at a Distance

Distance from Luminaire	FC at Nadir	Beam Diameter
4'	24fc	9'-7"
6'	10.7fc	14'-4"
8'	6fc	19'-1"
10'	3.8fc	23'-11"
12'	2.7fc	28'-8"

Zonal Lumen Summary

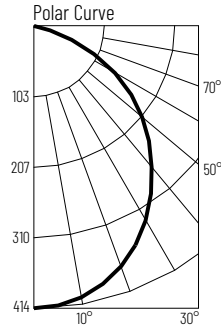
Zone	Lumens	% Luminaire
0-30	290	32.2
0-40	464	51.5
0-60	777	86.4
0-90	899	100
90-180	0	0
0-180	899	100

Candela Table

Vertical Angles	Candela
0	384
5	381
15	363
25	329
35	279
45	221

Test Information

Test Number: NTR2312R1
Part Number: NCSC-R6DITWMPW
Beam Spread: 100° Flood
Lumens: 970lm
Wattage: 11.24W
Efficacy: 86lpw
CCT / CRI: 3000K / 90 CRI
Spacing Criteria (0°-180°): 1.2
Spacing Criteria (90°-270°): 1.2



Illuminance at a Distance

Distance from Luminaire	FC at Nadir	Beam Diameter
4'	25.9fc	9'-7"
6'	11.5fc	14'-5"
8'	6.5fc	19'-2"
10'	4.1fc	23'-11"
12'	2.9fc	28'-8"

Zonal Lumen Summary

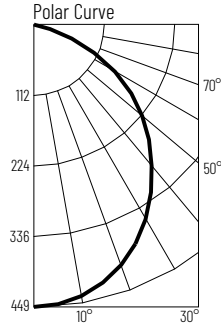
Zone	Lumens	% Luminaire
0-30	312	32.2
0-40	499	51.5
0-60	838	86.4
0-90	970	100
90-180	0	0
0-180	970	100

Candela Table

Vertical Angles	Candela
0	414
5	410
15	392
25	354
35	301
45	239

Test Information

Test Number: NTR2313R1
Part Number: NCSC-R6DITWMPW
Beam Spread: 100° Flood
Lumens: 1052lm
Wattage: 10.89W
Efficacy: 97lpw
CCT / CRI: 3500K / 90 CRI
Spacing Criteria (0°-180°): 1.2
Spacing Criteria (90°-270°): 1.2



Illuminance at a Distance

Distance from Luminaire	FC at Nadir	Beam Diameter
4'	28fc	9'-7"
6'	12.5fc	14'-5"
8'	7fc	19'-2"
10'	4.5fc	24'
12'	3.1fc	28'-10"

Zonal Lumen Summary

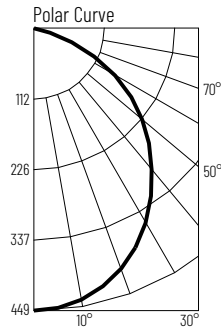
Zone	Lumens	% Luminaire
0-30	338	32.2
0-40	542	51.5
0-60	909	86.5
0-90	1052	100
90-180	0	0
0-180	1052	100

Candela Table

Vertical Angles	Candela
0	449
5	446
15	425
25	384
35	326
45	259

Test Information

Test Number: NTR2314R1
Part Number: NCSC-R6DITWMPW
Beam Spread: 100° Flood
Lumens: 1054lm
Wattage: 10.91W
Efficacy: 97lpw
CCT / CRI: 4000K / 90 CRI
Spacing Criteria (0°-180°): 1.2
Spacing Criteria (90°-270°): 1.2



Illuminance at a Distance

Distance from Luminaire	FC at Nadir	Beam Diameter
4'	28.1fc	9'-7"
6'	12.5fc	14'-5"
8'	7fc	19'-2"
10'	4.5fc	24'
12'	3.1fc	28'-10"

Zonal Lumen Summary

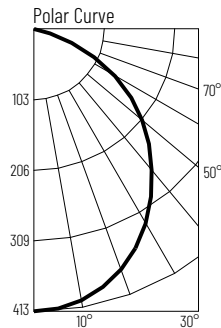
Zone	Lumens	% Luminaire
0-30	339	32.1
0-40	542	51.5
0-60	910	86.4
0-90	1054	100
90-180	0	0
0-180	1054	100

Candela Table

Vertical Angles	Candela
0	449
5	446
15	425
25	384
35	326
45	259

Test Information

Test Number: NTR2315R1
Part Number: NCSC-R6DITWMPW
Beam Spread: 100° Flood
Lumens: 969lm
Wattage: 11.19W
Efficacy: 87lpw
CCT / CRI: 5000K / 90 CRI
Spacing Criteria (0°-180°): 1.2
Spacing Criteria (90°-270°): 1.2



Illuminance at a Distance

Distance from Luminaire	FC at Nadir	Beam Diameter
4'	25.8fc	9'-7"
6'	11.5fc	14'-5"
8'	6.5fc	19'-2"
10'	4.1fc	24'
12'	2.9fc	28'-10"

Zonal Lumen Summary

Zone	Lumens	% Luminaire
0-30	311	32.1
0-40	498	51.4
0-60	836	86.3
0-90	969	100
90-180	0	0
0-180	969	100

Candela Table

Vertical Angles	Candela
0	413
5	410
15	390
25	353
35	299
45	238