

# SPECIFICATION SHEET

## PRODUCT # : CL-752B-T-AB

•Path Lights

•Cast Brass

### Fixture Specifications:

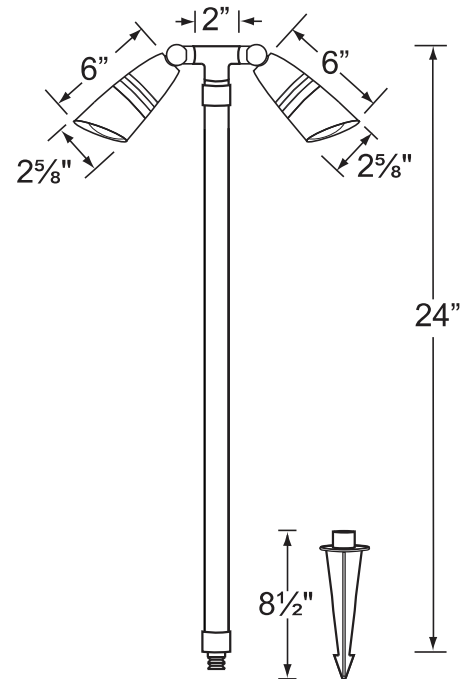
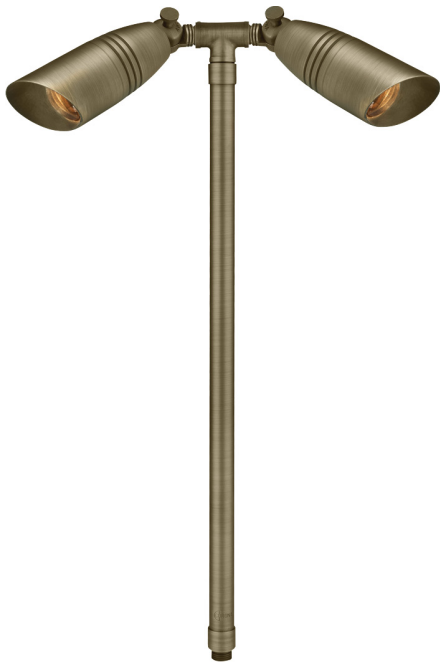
**Housing & Shroud:** Corrosion Resistant Cast Brass.  
**Stem:** Solid brass pipe with 1/2" NPT on bottom .  
**Finish:** **AB- Antique Bronze.** Natural toning process. AB finish will vary due to artistic process.  
**Lens:** Clear and heat resistant convex glass.  
**Socket:** Top grade fixed ceramic bi-pin socket, with lamp retension clip to securely hold lamp in place.  
**Lamp:** 12V, MR-16 halogen, 2x50W max. L-BAB-C20 (2x20w) standard.LED lamps available in 3.5W, 5W and 7W-2700K color temperature. Available in 15°, 45°, 60° beam spreads for Cree and 45° for Epistar brands.  
**Gasket:** Silicone gasket for water tight sealing.  
**Knuckle:** Adjustable cast brass knuckle with thumb screw

**Wiring:** Fixture is prewired with a 18-2 SPT2-W direct burial cord. Wire connector available seperately. Universal connector CX-839 or gel filled wire nut CX-854 may be ordered to Corona Lighting.

**Mounting Spike:** Standard injection molded spike with 1/2" NPT threaded female hub.

**Electrical Notes:** A remote 12V transformer required, may be ordered to Corona Lighting seperately. Voltage range for 12V halogen lamps are 11V-12.5V. Voltage range for LED Lamps are 9V-17V. Proper grease/lubricant is suggested on threaded parts during installation process.

**Warranty:** Limited lifetime warranty on fixture housing and stem against manufacturer's defects.



### MOST COMMON ACCESSORIES USED WITH THIS FIXTURE



#### Mounting Stems

CX-682B-AB 6"  
 CX-683B-AB 12"  
 CX-684B-AB 18"  
 CX-685B-AB 24"  
 AB - Antique Bronze



#### Mounting Canopy

CX-709B-AB  
 AB- Antique Bronze



#### Mounting Pedestal

CX-603-BK  
 BK - Black

### JOB INFORMATION

TYPE: DATE:

JOB NAME & ADDRESS:

PRODUCT #:

TOTAL QUANTITY:

LAMP TYPE & WATTAGE:

TRANSFORMER:

CONTRACTOR:

SPECIFIER: