

# SPECIFICATION SHEET

## PRODUCT # : CL-319B-AB

• Well Lights

• Cast Brass Face Plate

### Fixture Specifications:

**Housing:** Injected molded composite for high UV stability.

**Face Plate:** Diecast brass, fitted to housing with silicone "O" ring gasket.

**Face Plate Finish :** **AB- Antique Bronze.**  
Natural toning process. AB finish will vary due to artistic process.

**Lens:** Clear and heat resistant flat glass.

**Socket:** Top grade adjustable ceramic bi-pin socket with retention clip and teflon-jacketed wire lead.

**Lamp:** 12V, MR-16 halogen, 50W max. L-BAB-C20 (20w) standard. See below for available LED lamps.

**Gasket:** Silicone "O" ring seals faceplate to housing providing weather tight protection.

**Wiring:**

Fixture is prewired with a 3-ft 18-2 SJT-W direct burial cord. Wire connector available separately. Gel filled wire nut CX-854 may be ordered to Corona Lighting.

**Mounting:**

In-ground direct burial or concrete encasement.

**Electrical Notes:**

A remote 12V transformer required, may be ordered to Corona Lighting separately. Voltage range for 12V halogen lamps are 11V-12.5V Voltage range for LED lamps are 9V-17V.

**Warranty:**

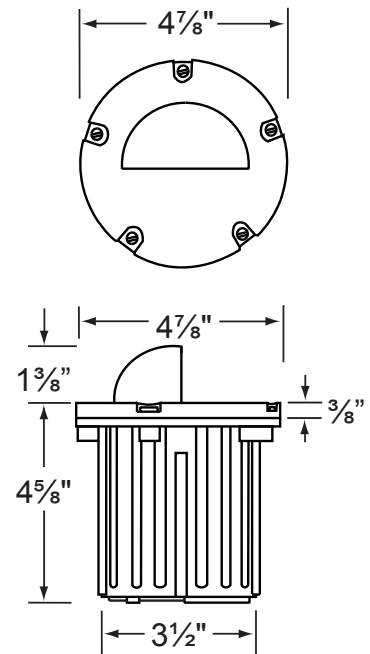
Limited lifetime warranty on fixture Brass face plate and three (3) years on housing against manufacturer's defects.



Fixture socket tilts for ± 25°



3.5W, 5W and 7W



### AVAILABLE LED LAMPS

LAMP NUMBER	WATTS	BRAND	BEAM		COLOR & TEMP.	ORDER CODE
			SPREAD	LUMEN		
L-EDMR16-EP-3W-FL	3.5	EPISTAR	45° Flood	210	WW 2700K	MR16-EP-3W-FL
L-EDMR16-EP-5W-FL	5	EPISTAR	45° Flood	270	WW 2700K	MR16-EP-5W-FL
L-EDMR16-3W-WW-SP	3.5	CREE	15° Spot	210	WW 2700K	MR16-3W-WW-SP
L-EDMR16-3W-WW-FL	3.5	CREE	45° Flood	210	WW 2700K	MR16-3W-WW-FL
L-EDMR16-3W-WW-WF	3.5	CREE	60° Wide Flood	210	WW 2700K	MR16-3W-WW-WF
L-EDMR16-5W-WW-SP	5	CREE	15° Spot	270	WW 2700K	MR16-5W-WW-SP
L-EDMR16-5W-WW-FL	5	CREE	45° Flood	270	WW 2700K	MR16-5W-WW-FL
L-EDMR16-5W-WW-WF	5	CREE	60° Wide Flood	270	WW 2700K	MR16-5W-WW-WF
L-EDMR16-7W-WW-SP	7	CREE	15° Spot	430	WW 2700K	MR16-7W-WW-SP
L-EDMR16-7W-WW-FL	7	CREE	45° Flood	430	WW 2700K	MR16-7W-WW-FL
L-EDMR16-7W-WW-WF	7	CREE	60° Wide Flood	430	WW 2700K	MR16-7W-WW-WF

### JOB INFORMATION

TYPE: \_\_\_\_\_ DATE: \_\_\_\_\_

JOB NAME & ADDRESS:

PRODUCT #:

TOTAL QUANTITY:

LAMP TYPE & WATTAGE:

TRANSFORMER:

CONTRACTOR:

SPECIFIER:

• Corona Lighting reserves the right to make any change and/or improvement to the design and construction of this fixture without further notification.