



WWW.CORONALIGHTING.COM

ARCHITECTURAL GRADE SERIES

1633 Staunton Ave
Los Angeles, CA 90021

TEL. (800) 727-9262 (800) 727-9957
FAX. (213) 747-4500 (213) 747-3234

SPECIFICATION SHEET

E-Mail: sales@coronalighting.com

PRODUCT # : CL-211-SS

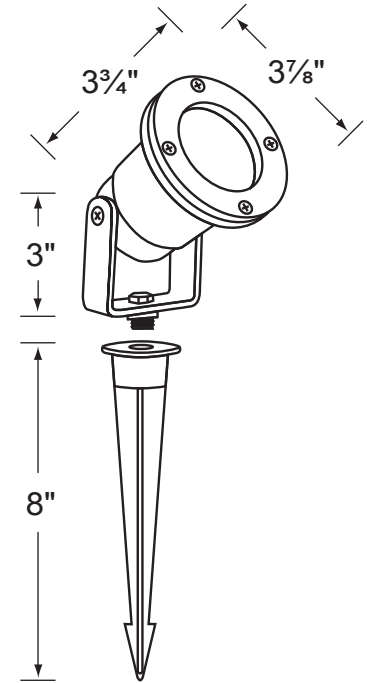
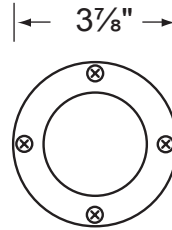
•Directional Lights

•316 Grade Stainless Steel

Fixture Specifications:

Housing: Solid Stainless Steel.
Finish: SS- Stainless Steel.
Lens: Clear and heat resistant convex glass.
 Extra flat lens included.
Socket: Top grade ceramic bi-pin socket, with
 retension clip.
Lamp: 12V, MR-16 halogen, 35W max. L-BAB-C20 (20w)
 standard. See below for available LED lamps.
Wiring: Fixture is prewired with a 3-ft 18-2 SPT2-W direct
 burial cord. Wire connector available seperately.
 Gel filled wire nut CX-854 may be ordered to
 Corona Lighting.

Gasket: Silicone "O" ring seals face plate to housing
 providing weather tight protection.
Yoke: Stainless steel yoke with 1/2" NPT bushing for
 affixing mounting spike.
Mounting Spike: 8" Stainless steel mounting spike with 1/2" NPT
 threaded female hub.
Electrical Notes: A remote 12V transformer required, may be
 ordered to Corona Lighting seperately. Voltage
 range for 12V halogen lamps are 11V-12.5V
 Voltage range for LED lamps are 9V-17V.
Warranty: Limited lifetime warranty on fixture housing against
 manufacturer's defects.



3.5W and 5W

AVAILABLE LED LAMPS

LAMP NUMBER	WATTS	BRAND	BEAM		COLOR & TEMP.	ORDER CODE
			SPREAD	LUMEN		
L-EDMR16-EP-3W-FL	3.5	EPISTAR	45° Flood	210	WW 2700K	MR16-EP-3W-FL
L-EDMR16-EP-5W-FL	5	EPISTAR	45° Flood	270	WW 2700K	MR16-EP-5W-FL
L-EDMR16-3W-WW-SP	3.5	CREE	15° Spot	210	WW 2700K	MR16-3W-WW-SP
L-EDMR16-3W-WW-FL	3.5	CREE	45° Flood	210	WW 2700K	MR16-3W-WW-FL
L-EDMR16-3W-WW-WF	3.5	CREE	60° Wide Flood	210	WW 2700K	MR16-3W-WW-WF
L-EDMR16-5W-WW-SP	5	CREE	15° Spot	270	WW 2700K	MR16-5W-WW-SP
L-EDMR16-5W-WW-FL	5	CREE	45° Flood	270	WW 2700K	MR16-5W-WW-FL
L-EDMR16-5W-WW-WF	5	CREE	60° Wide Flood	270	WW 2700K	MR16-5W-WW-WF

JOB INFORMATION

TYPE: _____ DATE: _____
 JOB NAME & ADDRESS: _____
 PRODUCT #: _____
 TOTAL QUANTITY: _____
 LAMP TYPE & WATTAGE: _____
 TRANSFORMER: _____
 CONTRACTOR: _____
 SPECIFIER: _____

• Corona Lighting reserves the right to make any change and/or improvement to the design and construction of this fixture without further notification.